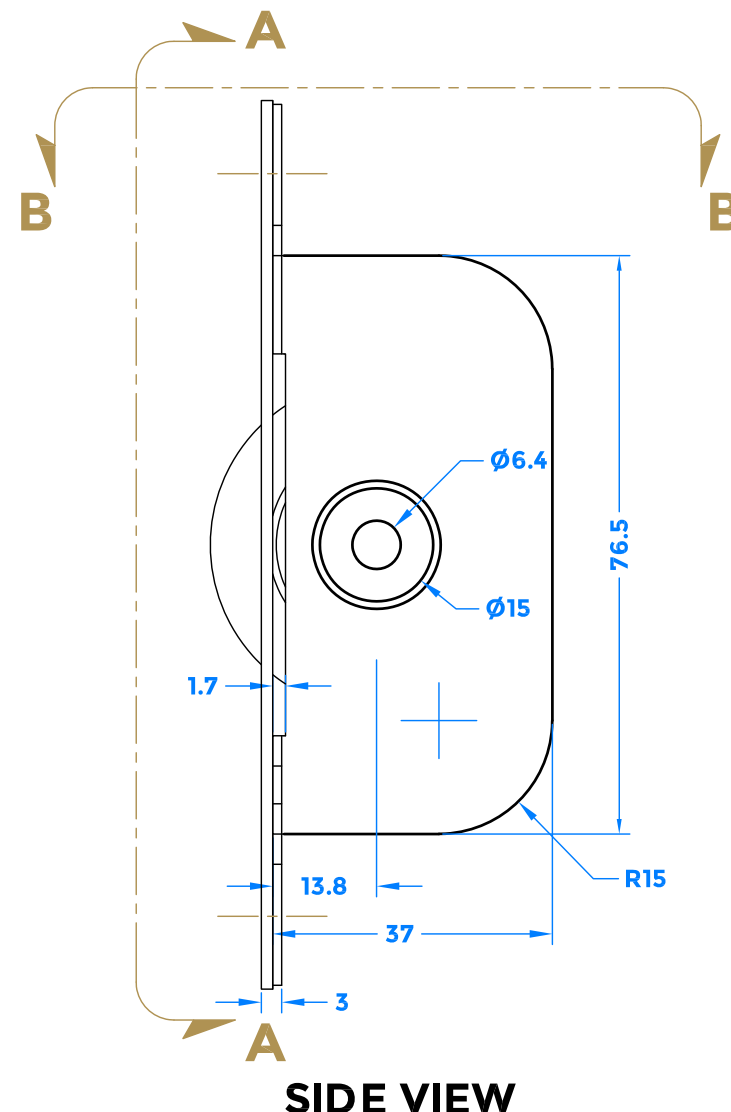
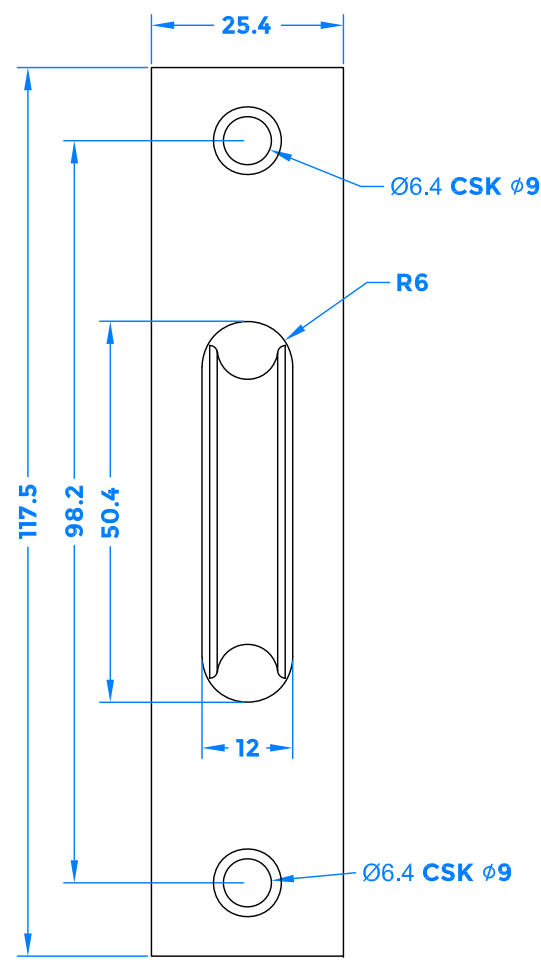


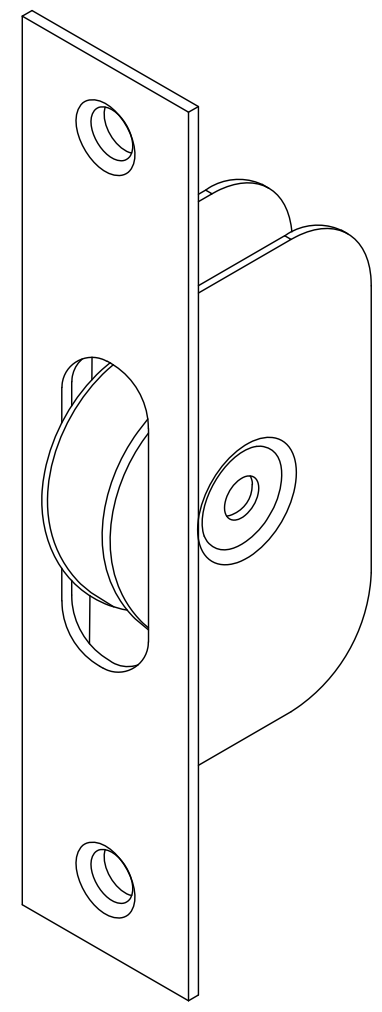
Drawing Revision History		
Revision	Description/Change	Date
A	Release	15/11/2021
B	Added Screws	24/7/2023



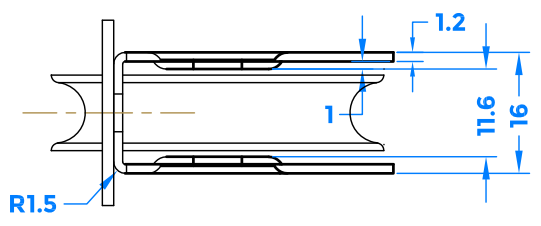
SIDE VIEW



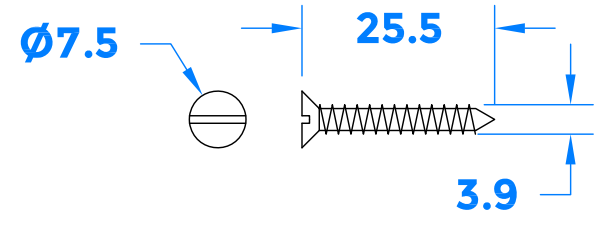
**Section A-A
FRONT VIEW**



ISOMETRIC VIEW



**Section B-B
TOP VIEW**



2x No.7 Wood Screws



coastal-group.com
Shaping the future.

COASTAL

Part Number / Drawing Title:
**SPS70
Ball Bearing Sash Pulley**

Product Range:
Sliding Sash Hardware

Material:

Additional Info: Square Corners

Date Drawn: 24/07/2023

Drawn By: Phillip Walklett

Part Number: SPS70

File Name: SPS70.dwg

Revision: B

Drawing Scale: 1:1@ A3

Sheet Number: 1 of 1

THIRD ANGLE PROJECTION

 This drawing and specification are the property of Coastal Specialist Ironmongery Ltd, they are issued in strict confidence and shall not be reproduced, copied or used without written permission.
EAOE - All dimensions are specified in mm.