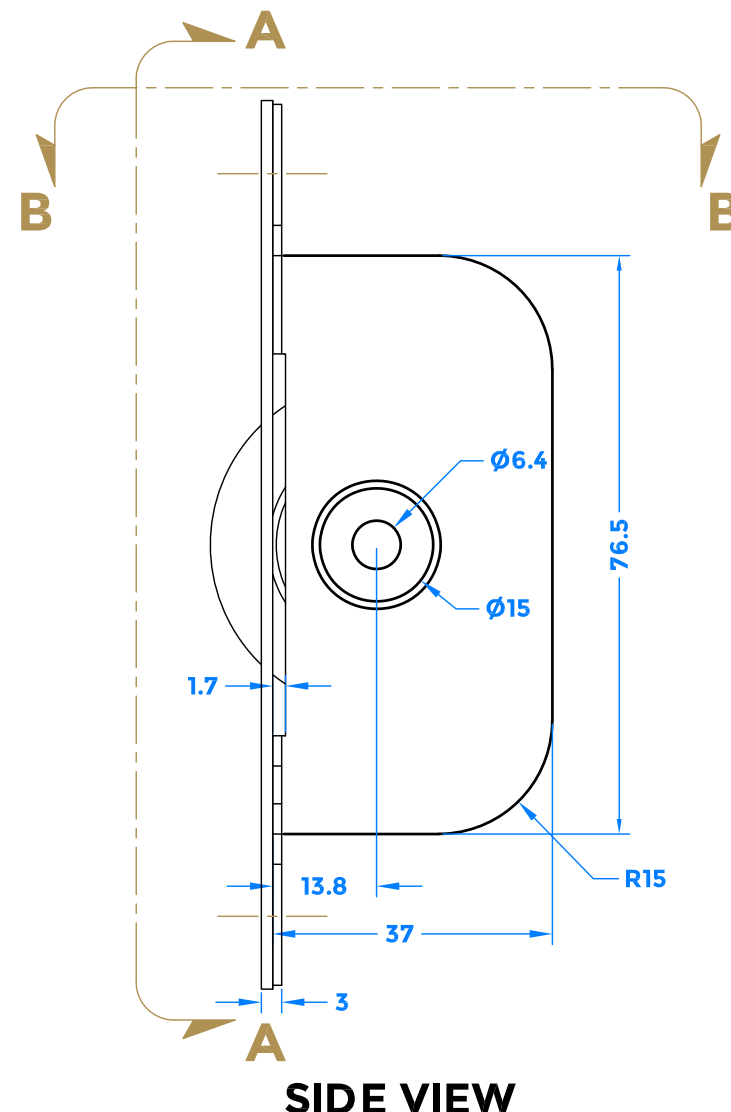
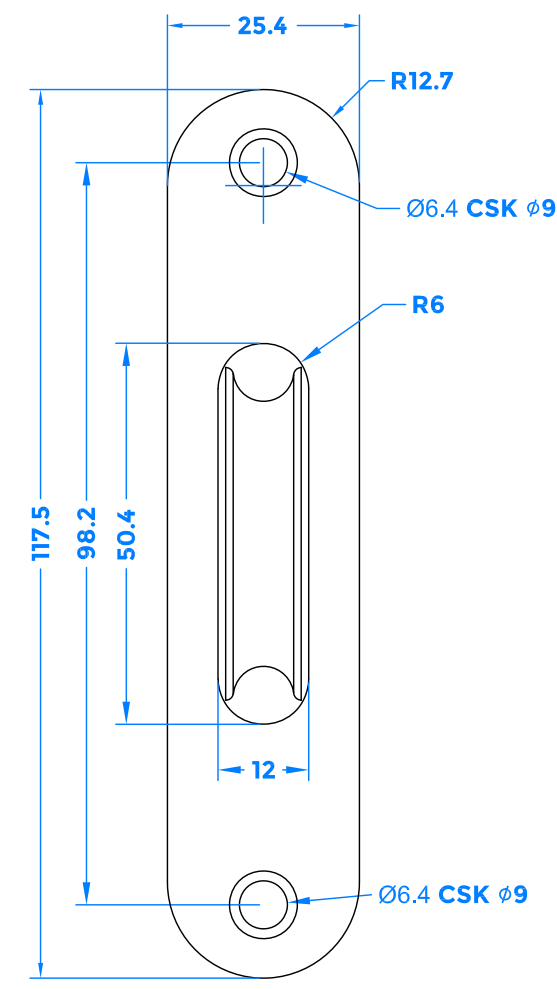


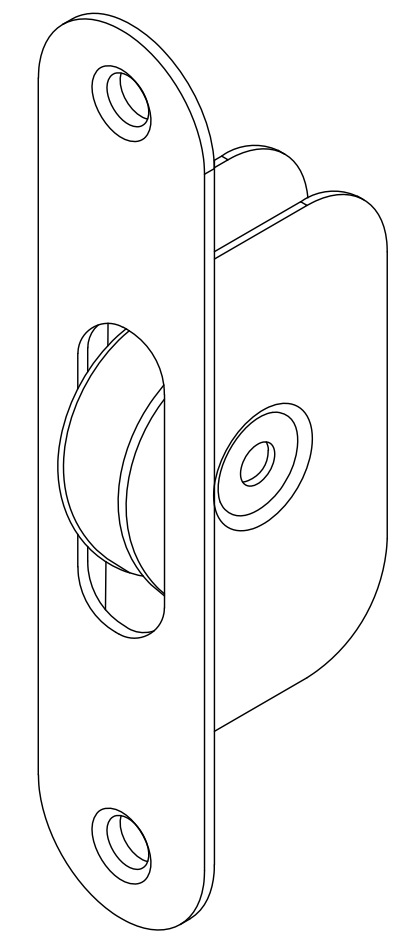
Drawing Revision History		
Revision	Description/Change	Date
A	Release	15/11/2021
B	Added Screws	24/7/2023



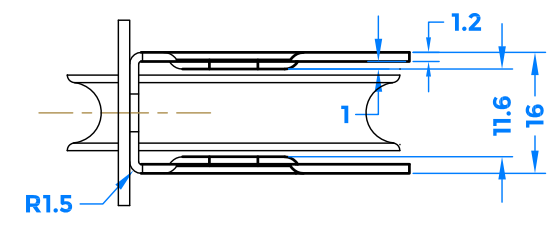
**SIDE VIEW**



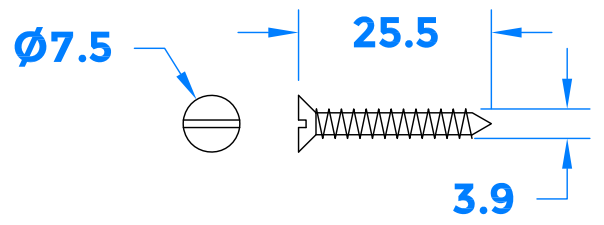
**Section A-A  
FRONT VIEW**



**ISOMETRIC VIEW**



**Section B-B  
TOP VIEW**



**2x No.7 Wood Screws**



coastal-group.com  
*Shaping the future.*

**COASTAL**

Part Number / Drawing Title:  
**SPR70  
Ball Bearing Sash Pulley**

Product Range:  
**Sliding Sash Hardware**

Material:

Additional Info: Radius Corners

Date Drawn: 24/07/2023

Drawn By: Phillip Walklett

Part Number: SPR70

File Name: SPR70.dwg

Revision: B

Drawing Scale: 1:1@ A3

Sheet Number: 1 of 1

**THIRD ANGLE PROJECTION**



This drawing and specification are the property of Coastal Specialist Ironmongery Ltd, they are issued in strict confidence and shall not be reproduced, copied or used without written permission.  
EAOE - All dimensions are specified in mm.