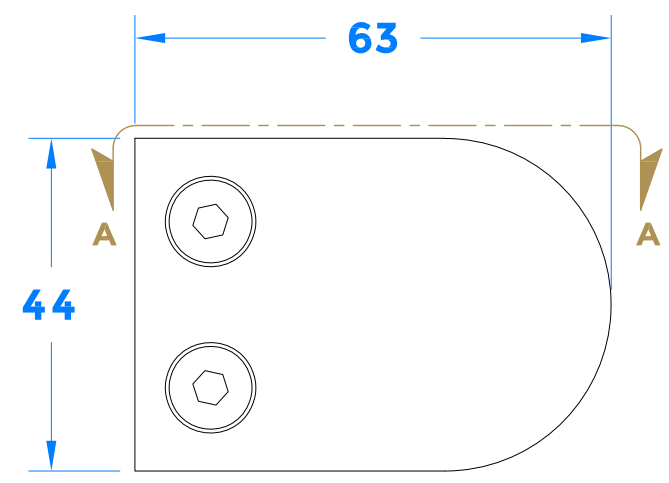
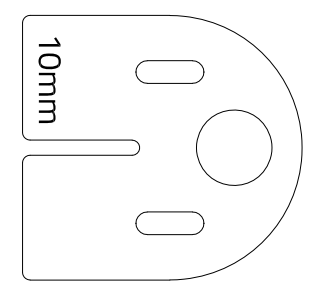


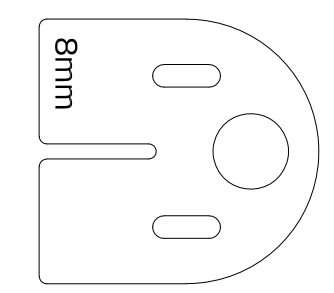
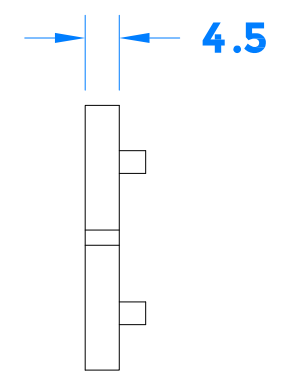
Drawing Revision History		
Revision	Description/Change	Date
A	Release	18/11/2021



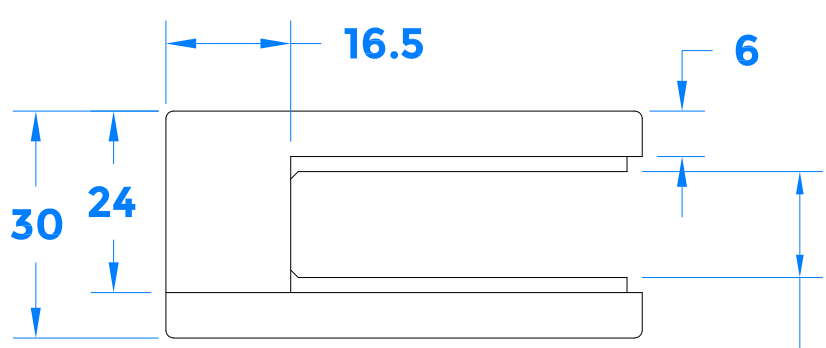
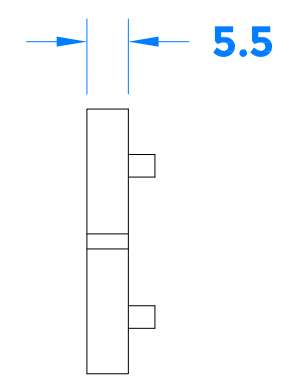
Glass Clamp



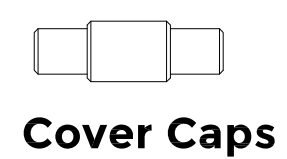
Rubber Inserts
When fitted to clamp will suit 10mm glass



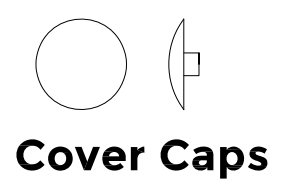
Rubber Inserts - G8-RUB (Sold Separately)
When fitted to clamp will suit 8mm glass.



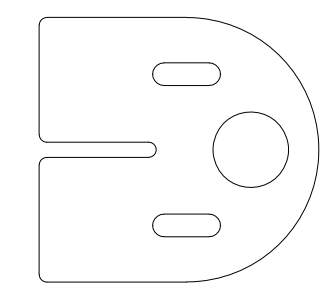
When rubber inserts are fitted
this suite glass of 10mm thick.
Section A-A



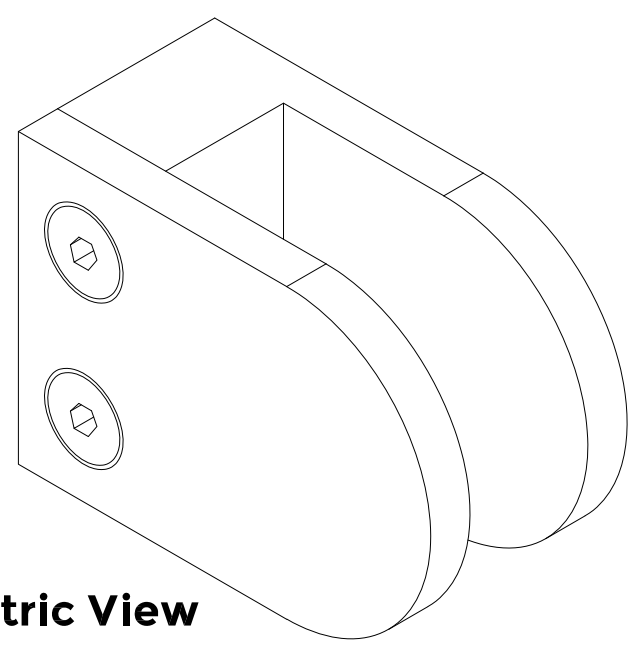
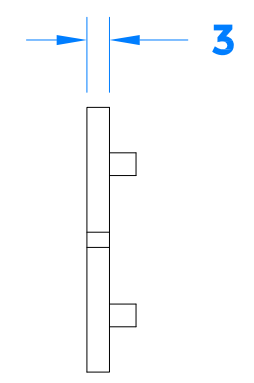
Cover Caps



Cover Caps



Rubber Inserts - G10-RUB (Sold Separately)
When fitted to clamp will suit 13mm glass.



Isometric View

 COASTAL		coastal-group.com <i>Shaping the future.</i>
Part Number / Drawing Title:		
G10 Flat Back Glass Clamps		
Product Range:		
Fixings		
Material:	Stainless Steel	
Additional Info:		
Date Drawn:	18/11/2021	
Drawn By:	Phillip Walklett	
Part Number:	G10	
File Name:	G10.dwg	
Revision:	A	
Drawing Scale:	1:1@ A3	
Sheet Number:	1 of 1	
 THIRD ANGLE PROJECTION	This drawing and specification are the property of Coastal Specialist Ironmongery Ltd, they are issued in strict confidence and shall not be reproduced, copied or used without written permission. E&OE - All dimensions are specified in mm.	