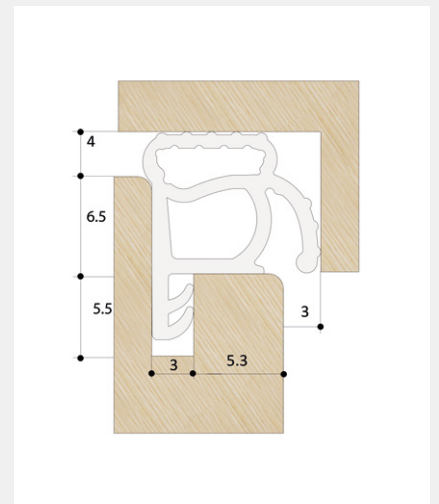
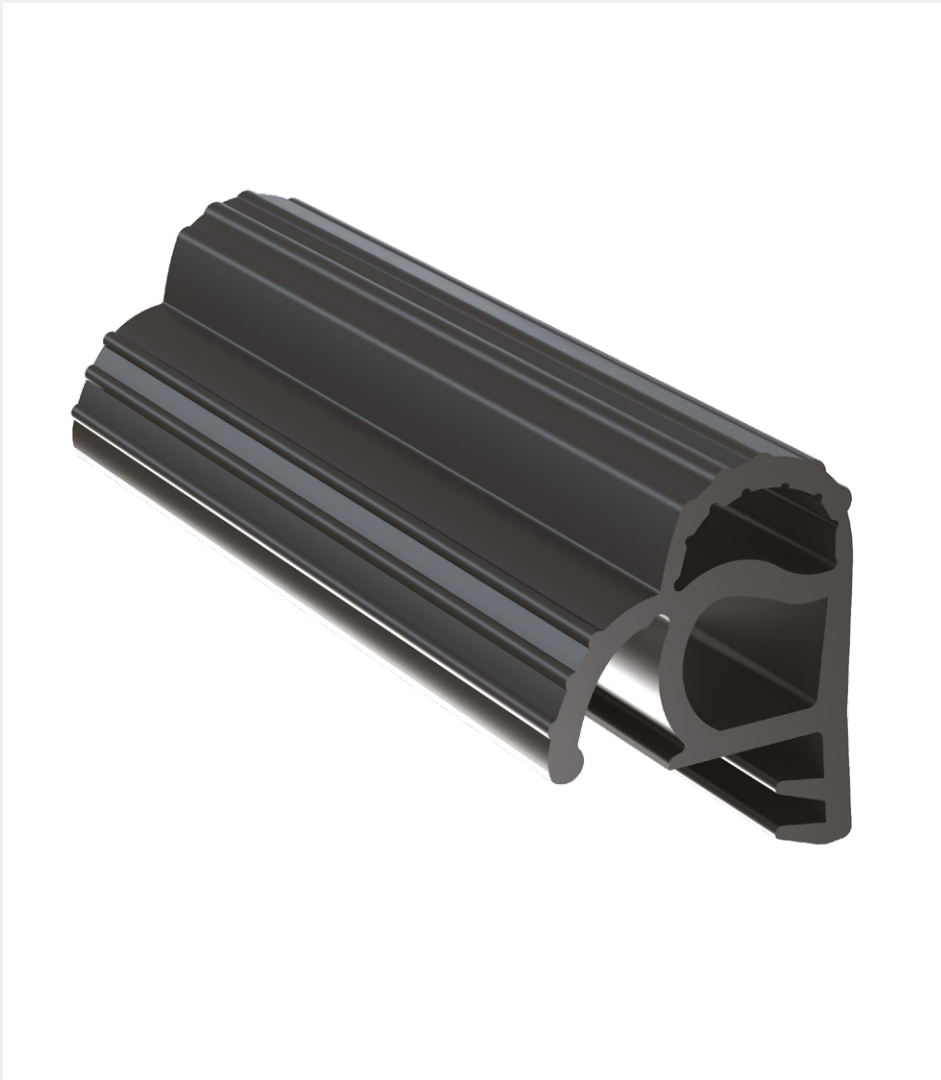


DEVENTER RANGE SLIDING SASH FLIPPER SEAL

Product Code: SP5920

LIT-DC-SP5920

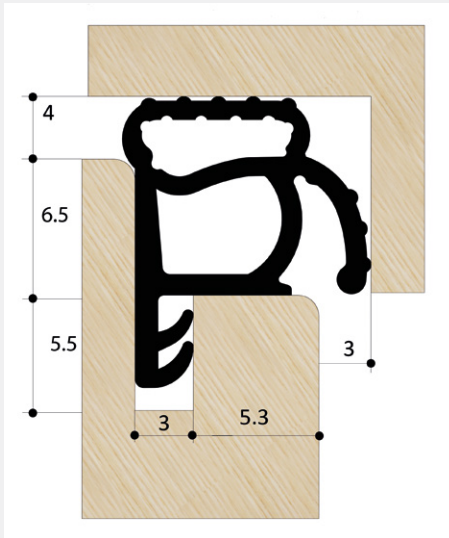


- The SP5920 is an excellent flipper seal from Deventer used to improve the performance of sliding sash windows
- Removes a machining process, speeding up the manufacture by providing a 2-in-1 sealing action on the front and side rail of sliding sash windows
- The rigid back makes it quick and easy to install and prevents the seal from stretching
- Made from a high quality anti-friction TPE with no brushes to wear, providing a longer-lasting smooth sliding sash
- Hollow chamber provides superior protection from wind, water and noise, enhancing the acoustic and thermal properties of your door or windows
- Unlike traditional brushes used in sliding sash windows, you cannot see the flipper seal in the finished window which vastly improves the look of your window



COASTAL

Shaping the future.



Visit www.coastal-group.com for CAD drawings

FINISHES:



BK
Black



WH
White

| PART NUMBER | PRODUCT DESCRIPTION | FINISH | UNITS |
|-------------|------------------------------|-----------|-------|
| SP5920-BK | Twin blade sliding sash seal | BK | 96m |
| SP5920-WH | Twin blade sliding sash seal | WH | 96m |

NOTE: 96m pack is made up of 12 x 8m lengths

- Compatible with resin and acrylic paint
- UV, Ozone and Smoke resistant
- Excellent working temperature range of -40 C to +120 C
- SP5920 successfully used on our Part Q Test
- We strongly advise due to material & paint dependants making a sample window first



COASTAL

Shaping the future.