

# TRITUS FLUSH LIFT-OFF BUTT HINGE

Product Code: FH80

LIT-DC-FH80



## Window Hardware Range

- High quality lift-off butt hinge with pressed flanges to fit into the Tritus Flush Casement Window grooves
- The 12mm frame groove positions the hinge for extremely quick installation
- Lift-off feature means the sashes can be sent to site after frame installation, and can be easily lifted off for repainting or renovation
- Hinges meet the requirements of BS DS EN 1935: 2002 Grade 9: 25,000 cycles / 120kg
- Successfully used in our Part Q Test
- Note these hinges are handed looking from the outside of the building. Use one of each hand for top hung casements

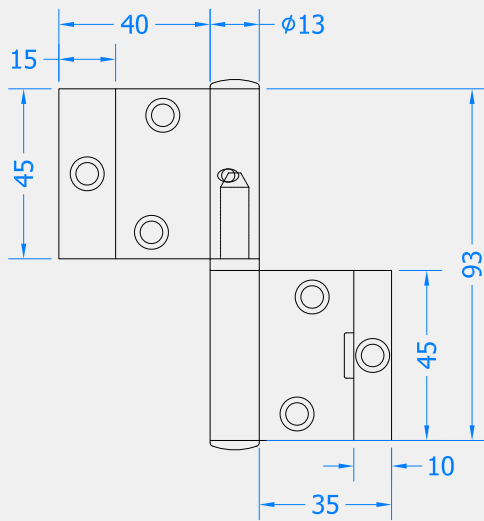


**COASTAL**

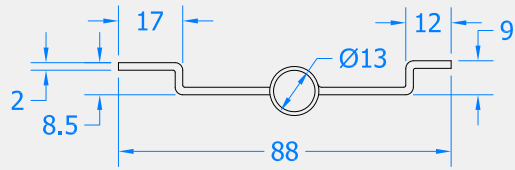
*Shaping the future.*

TRITUS FLUSH LIFT-OFF BUTT HINGE

Front Profile



Side Profile



Visit [www.coastal-group.com](http://www.coastal-group.com) for CAD drawings

FINISHES:



SV  
Silver



WH  
White

| PART NUMBER | PRODUCT DESCRIPTION       | FINISH | UNITS |
|-------------|---------------------------|--------|-------|
| FH80-LH-SV  | 90mm Flush casement hinge | SV     | Each  |
| FH80-RH-SV  | 90mm Flush casement hinge | SV     | Each  |
| FH80-LH-WH  | 90mm Flush casement hinge | WH     | Each  |
| FH80-RH-WH  | 90mm Flush casement hinge | WH     | Each  |



COASTAL

*Shaping the future.*