

# A2 STAINLESS STEEL WOODSCREWS

Product Code: FX-CF

LIT-DC-FX-CF



## *Timber Joinery Woodscrews Range*

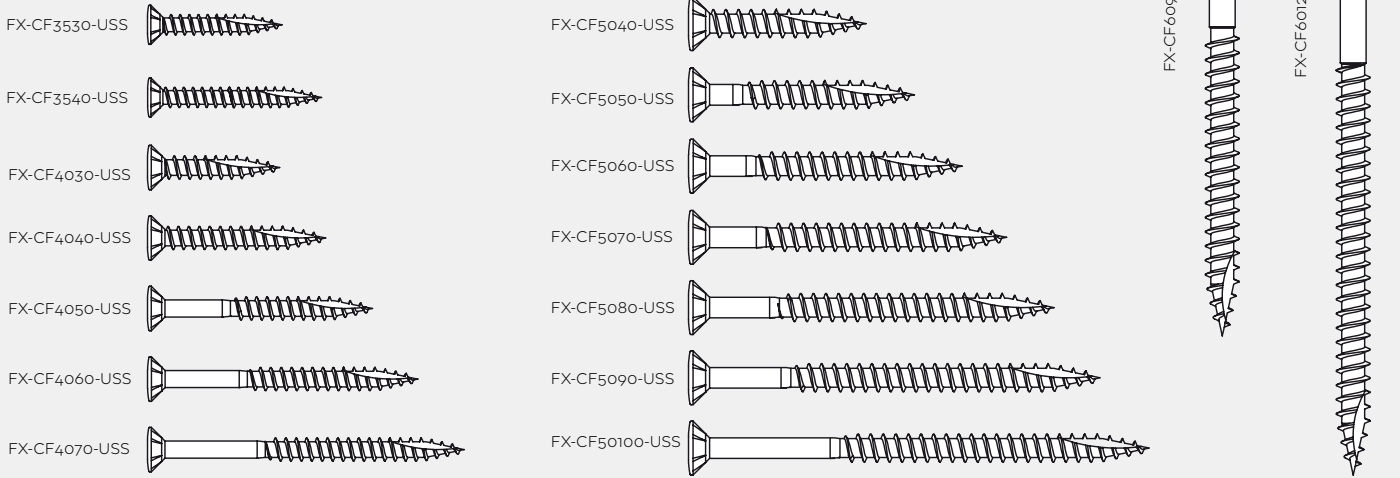
- Reinforced double countersunk head to prevent the screw head from shearing
- Precision Torx head drive is designed to give a better grip on your drill bit
- Ribs under the head help the screw to be self-embed and ensure improved breaking & locking effect for a tight fix every time
- A deep slash cutting point makes it more effective at removing the wood & reducing the chance of wood splitting
- Wax lubricated thread makes it easier to drive the screw into the wood and ensures a consistently tight fit
- Made in Germany



# COASTAL

*Shaping the future.*

Side Profile

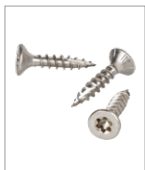


Front Profile



Visit [www.coastal-group.com](http://www.coastal-group.com) for CAD drawings

FINISHES:



USS

Unfinished Stainless Steel

PART NUMBER	PRODUCT DESCRIPTION	FINISH	UNITS
FX-CF3530-USS	3.5 x 30mm TX10	USS	Box 500
FX-CF3540-USS	3.5 x 40mm TX10	USS	Box 200
FX-CF4030-USS	4 x 30mm TX20	USS	Box 500
FX-CF4040-USS	4 x 40mm TX20	USS	Box 200
FX-CF4050-USS	4 x 50mm TX20	USS	Box 200
FX-CF4060-USS	4 x 60mm TX20	USS	Box 200
FX-CF4070-USS	4 x 70mm TX20	USS	Box 200
FX-CF5040-USS	5 x 40mm TX25	USS	Box 200
FX-CF5050-USS	5 x 50mm TX25	USS	Box 200
FX-CF5060-USS	5 x 60mm TX25	USS	Box 100
FX-CF5070-USS	5 x 70mm TX25	USS	Box 100
FX-CF5080-USS	5 x 80mm TX25	USS	Box 100
FX-CF5090-USS	5 x 90mm TX25	USS	Box 100
FX-CF50100-USS	5 x 100mm TX25	USS	Box 100
FX-CF6090-USS	6 x 90mm TX25	USS	Box 100
FX-CF60120-USS	6 x 120mm TX25	USS	Box 100



**COASTAL**

*Shaping the future.*