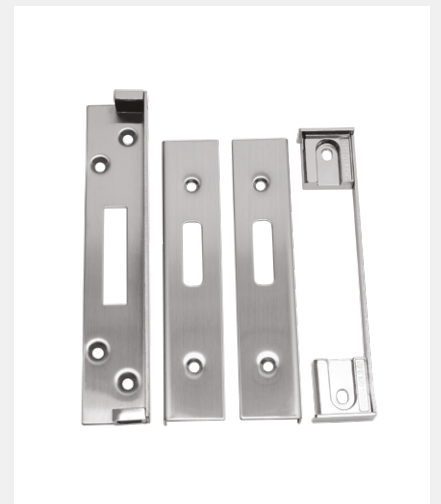
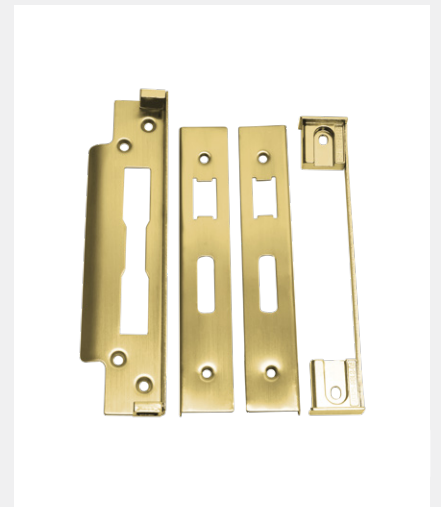


LOCK REBATE KITS

Product Code: ARB

LIT-DC-ARB



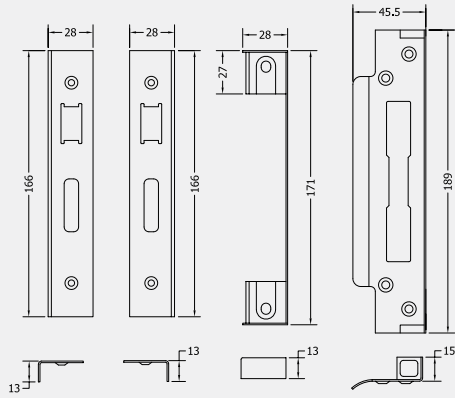
Mortice Lock Range

- Rebate kits to work with for sashlocks and deadlocks
- Designed for standard rebate doors with up to 13mm rebate
- Suitable for right or left handed, inward or outward opening doors

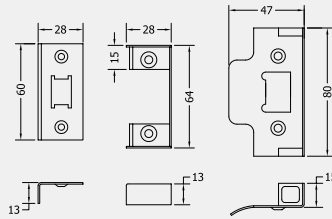


COASTAL

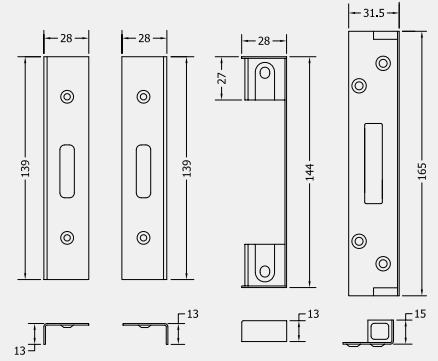
Shaping the future.



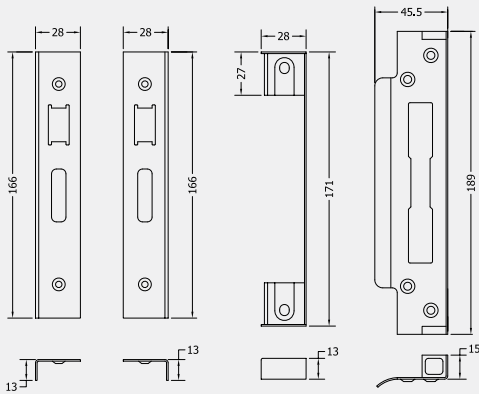
ARB5105



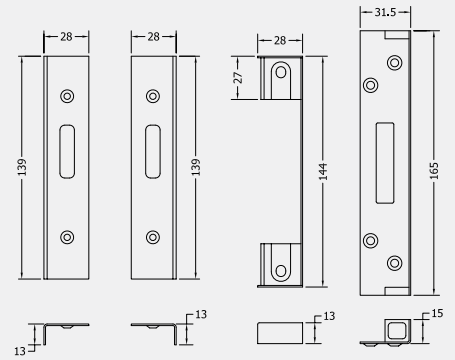
ART5105



ARB5205



ARB5305



ARB5405

Visit www.coastal-group.com for CAD drawings

FINISHES:



SSS
 Satin Stainless Steel



PPB
 Polished Brass

PART NUMBER	PRODUCT DESCRIPTION	FINISH	UNITS
ARB5405-SSS	13mm Rebate kit for EDBL locks	SSS	Each
ARB5405-PPB	13mm Rebate kit for EDBL locks	PPB	Each
ARB5305-SSS	13mm Rebate kit for ESBL locks	SSS	Each
ARB5205-SSS	13mm Rebate kit for LDB locks	SSS	Each
ARB5205-PPB	13mm Rebate kit for LDB locks	PPB	Each
ARB5105-SSS	13mm Rebate kit for LSB locks	SSS	Each
ARB5105-PPB	13mm Rebate kit for LSB locks	PPB	Each
ART5105-SSS	13mm Rebate kit for TLS/TLD locks	SSS	Each
ART5105-PPB	13mm Rebate kit for TLS/TLD locks	PPB	Each



COASTAL

Shaping the future.