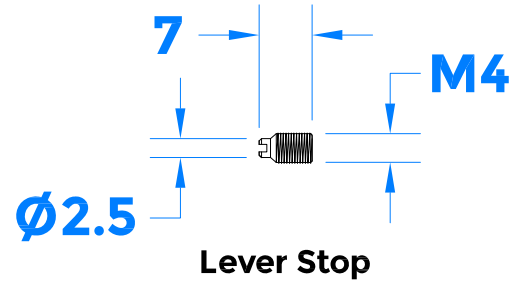
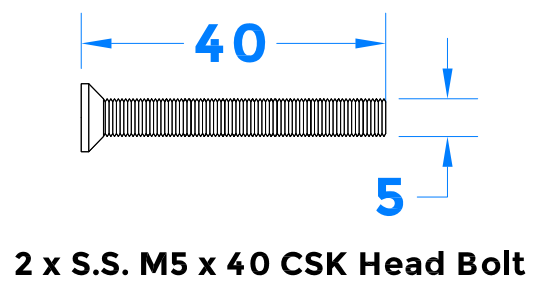
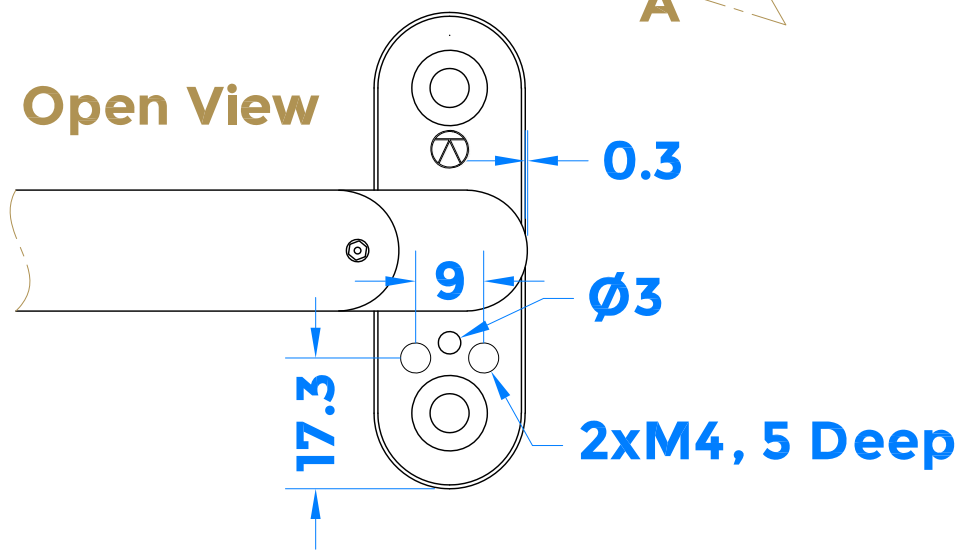
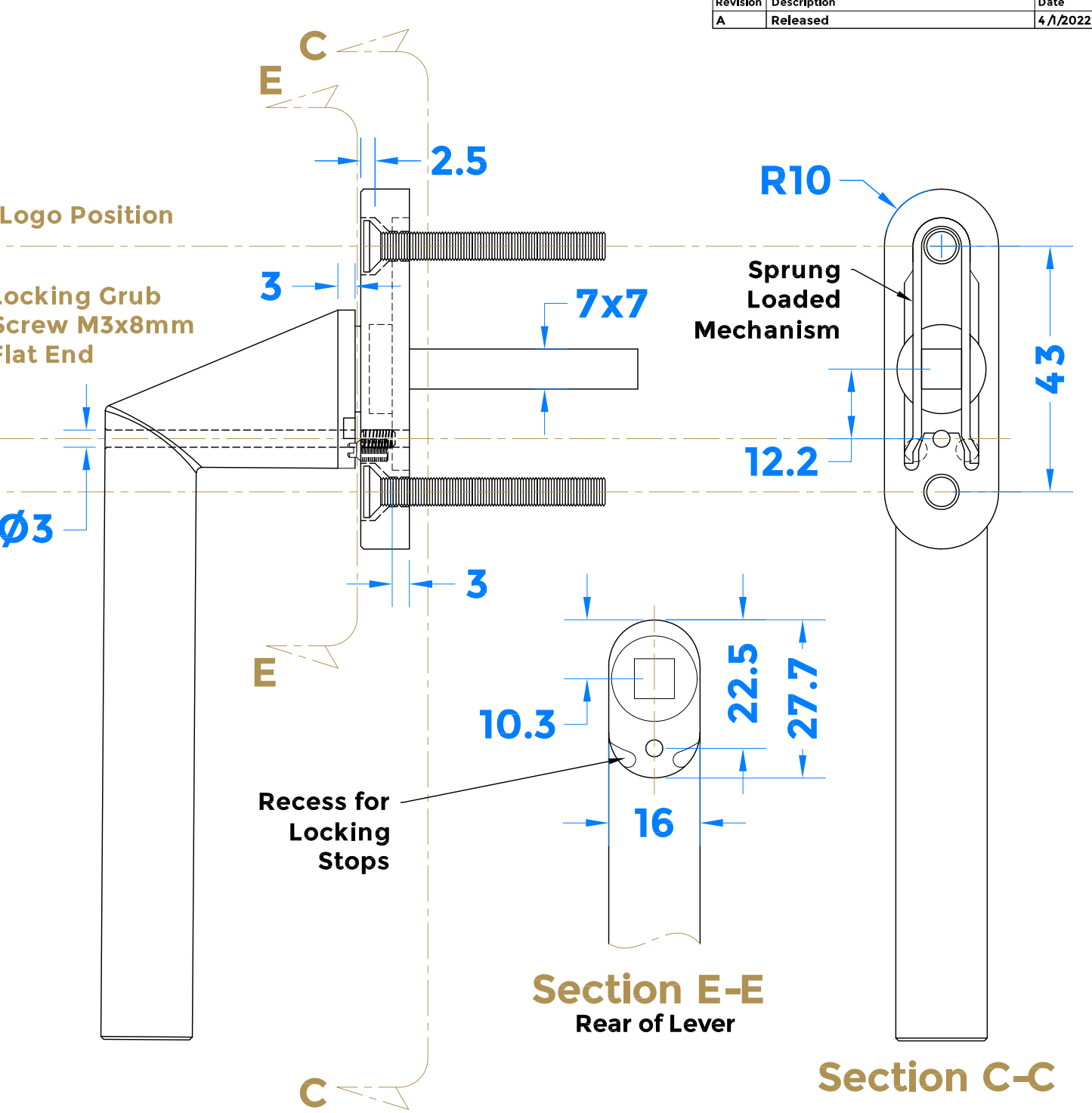
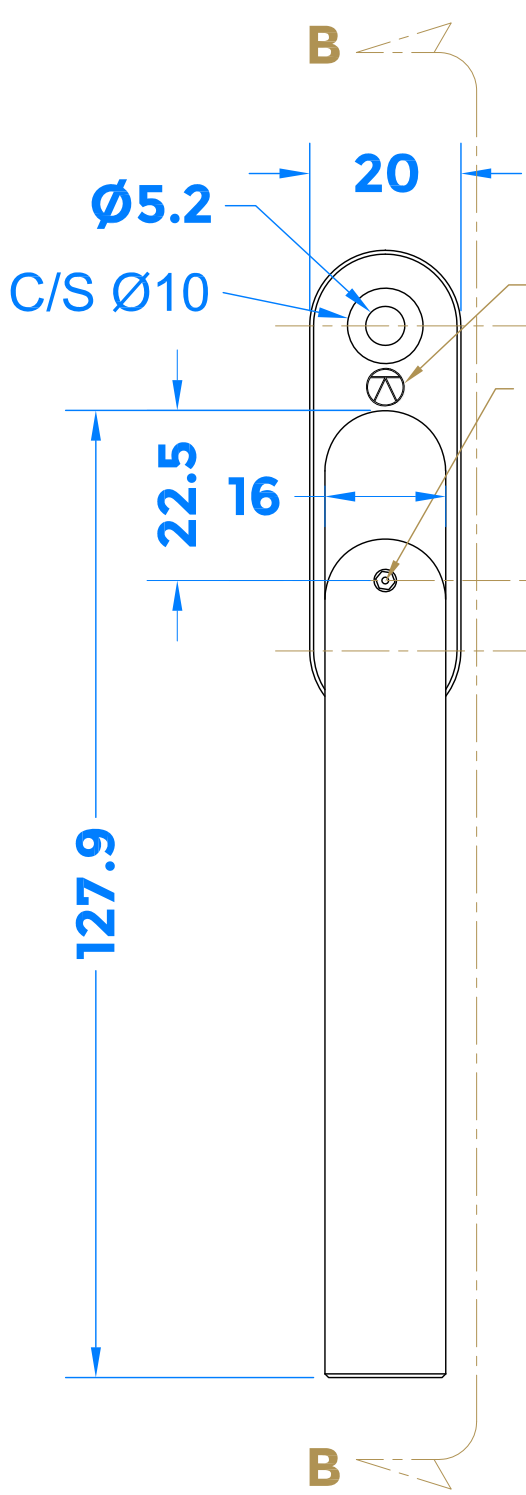
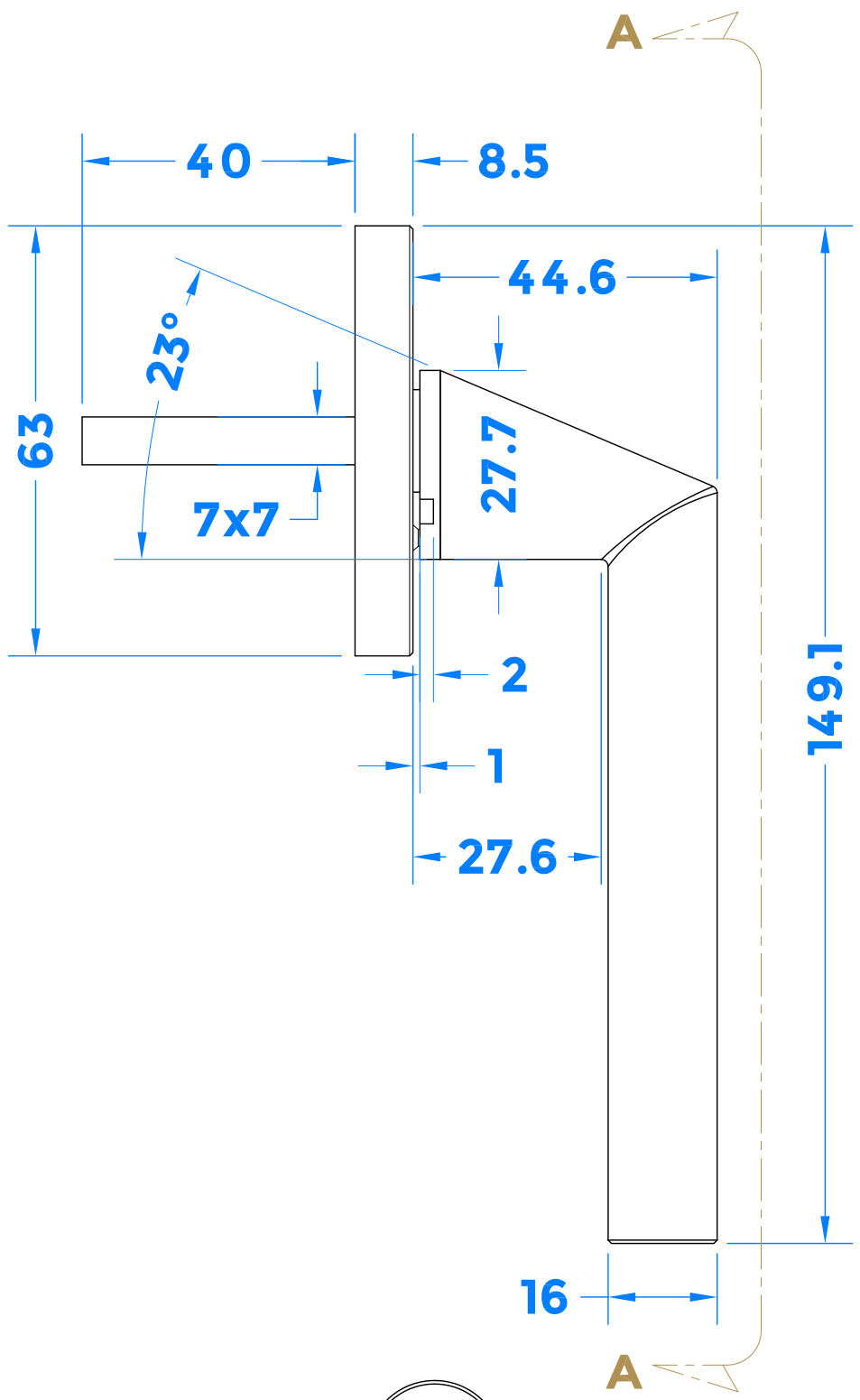


REVISION HISTORY		
Revision	Description	Date
A	Released	4/1/2022



COASTAL coastal-group.com
Shaping the future

Part Number / Drawing Title:
SST100
Inline Angled Espag Handle

Product Range:
 Window Handles

Material: 316 Grade Stainless Steel

Additional Info: Locking

Date Drawn: 04/01/2022

Drawn By: Philip Walklett

Part Number: SST100

File Name: SST100.dwg

Revision: A

Drawing Scale: 1:1@A3

Sheet Number: 1 of 1

THIRD ANGLE PROJECTION

This drawing and specification are the property of Coastal Specialist Ironmongery Ltd. they are issued in strict confidence and shall not be reproduced, copied or used without written permission. E&OE - All dimensions are specified in mm.