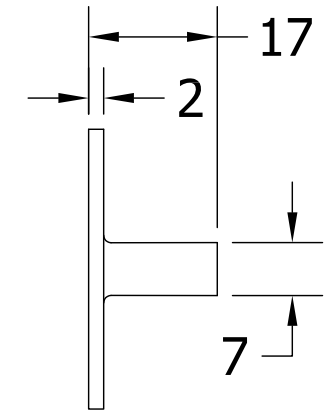
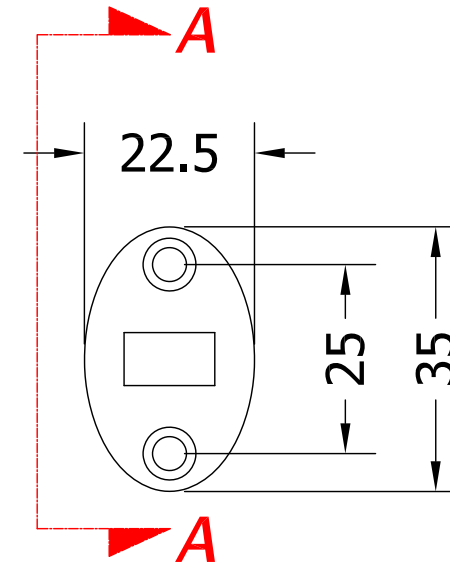
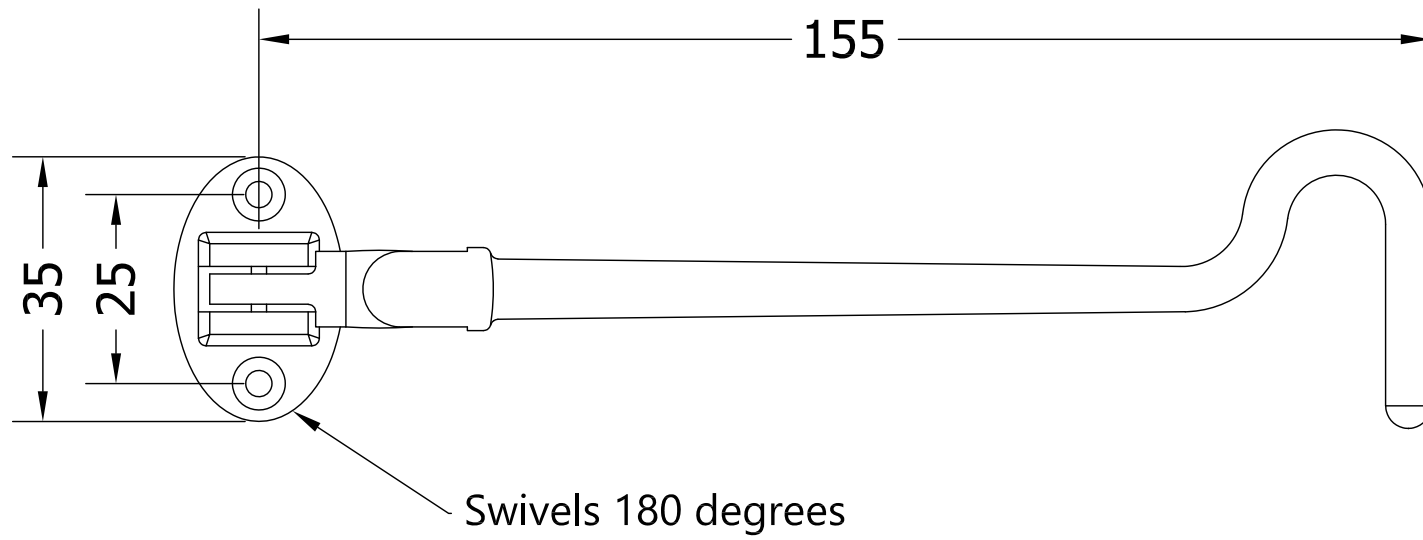
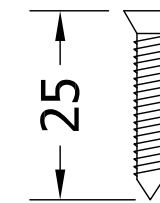


REVISIONS

| Revision | Description | Drawn | Date |
|----------|-------------|-------|----------|
| A | Release | PW | 16/01/18 |

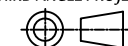


Section A-A



Global House, Bojea Industrial Estate, Trethowel, St Austell, PL25 5RJ
 Telephone | 01726 871725 - Fax | 01726 871731
 Email | sales@coastal-group.com - Web | www.coastal-group.com

| | |
|---|------------------|
| Drawing Reference: | |
| Coastal Group | |
| Drawing Title: | |
| CH150-SSS | |
| 150mm Cabin Hook | |
| Product Range: | |
| Door Furniture | |
| Additional Info: 316 Satin Stainless Steel | |
| Date Drawn: | 16/01/2018 |
| Drawn By: | Phil Walklett |
| Part Number: | CH150 |
| File Name: | CG-CH150-SSS.dwg |
| Revision: | A |
| Drawing Scale: | 1:1@A3 |
| Sheet Number: | 1 of 1 |

THIRD ANGLE PROJECTION  This drawing and specification are the property of Coastal Group, they are issued in strict confidence and shall not be reproduced, copied or used without written permission.