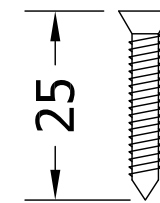
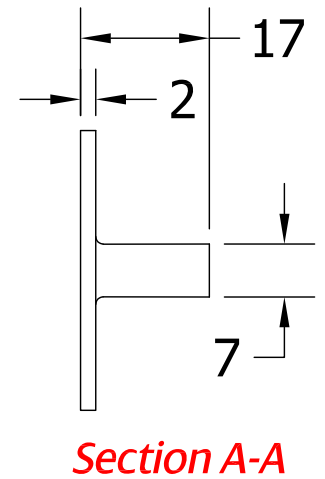
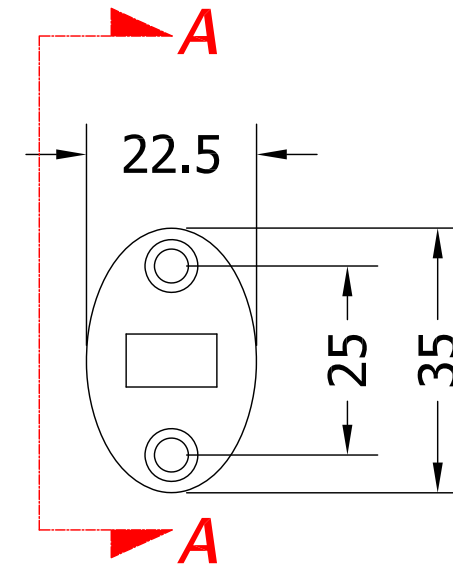
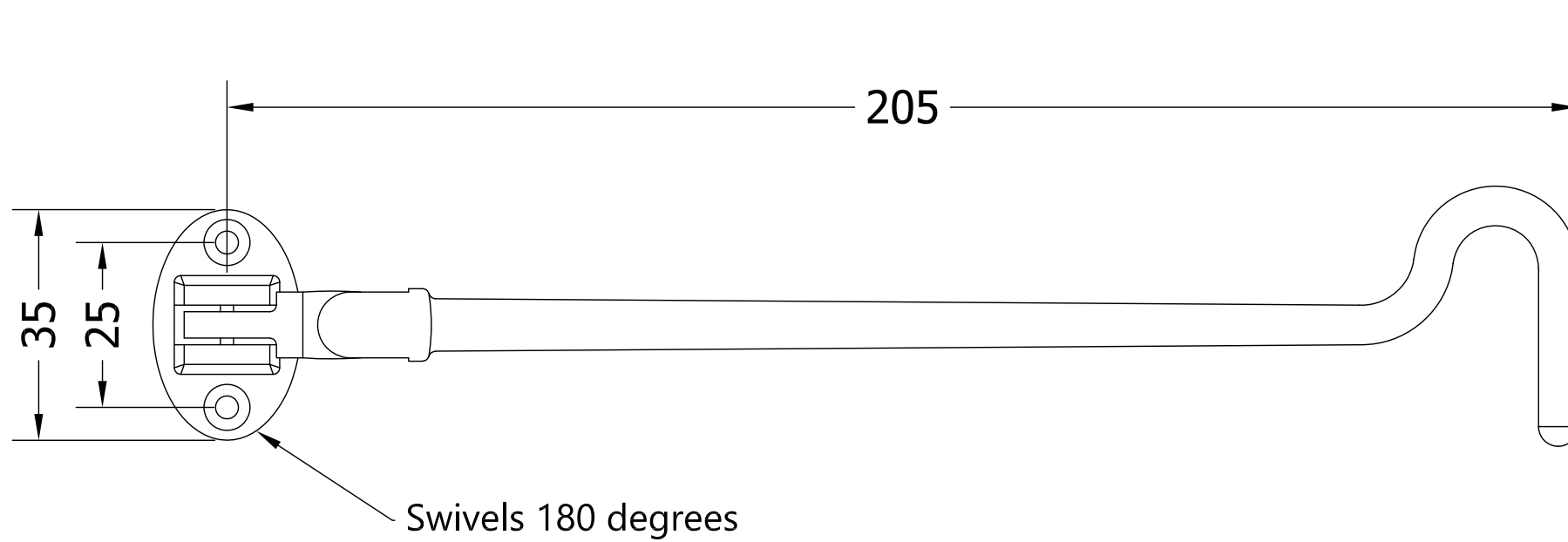


REVISIONS

Revision	Description	Drawn	Date
A	Release	PW	16/01/18




Global House, Bojea Industrial Estate, Trethowel, St Austell, PL25 5RJ
 Telephone | 01726 871725 - Fax | 01726 871731
 Email | sales@coastal-group.com - Web | www.coastal-group.com

Drawing Reference:
Coastal Group

Drawing Title:
CH200-SSS
200mm Cabin Hook

Product Range:
Door Furniture

Additional Info: 316 Satin Stainless Steel

Date Drawn: 16/01/2018
Drawn By: Phil Walklett
Part Number: CH200
File Name: CG-CH200-SSS.dwg
Revision: A
Drawing Scale: 1:1@A3
Sheet Number: 1 of 1

THIRD ANGLE PROJECTION  This drawing and specification are the property of Coastal Group, they are issued in strict confidence and shall not be reproduced, copied or used without written permission.