



## *Klone Double Doors*

TWIN HANDLE - SHOOTBOLT ON MASTER & SLAVE DOORS

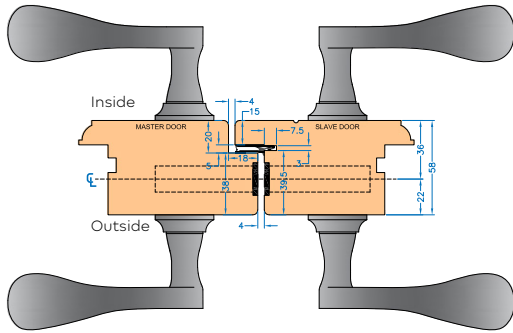
T 01726 871 025 E [sales@coastal-group.com](mailto:sales@coastal-group.com) W [coastal-group.com](http://coastal-group.com)  
© Coastal Specialist Ironmongery Ltd



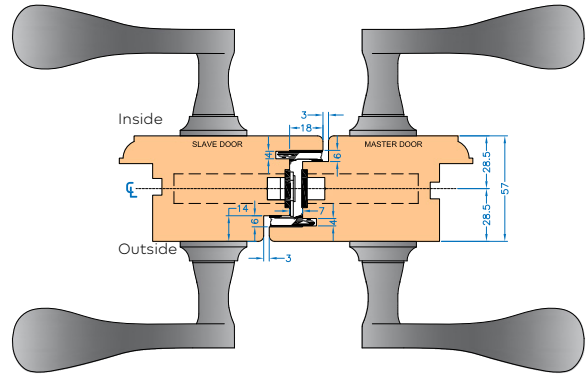
# COASTAL

*Shaping the future.*

TWIN HANDLE - SHOOTBOLT ON MASTER & SLAVE DOORS



Single Rebate System



Double Rebate System

- High security locking for double doors without the need for a dummy mullion, dramatically reducing sightlines
- Lever handles on master and slave doors
- Shootbolts operated by lever handles to lock master and slave doors in position
- Hooks on master door lock directly into slave door
- More than twice exceeds Class 5 Corrosion Resistance Standards BS EN 1670:2007
- 15 Year Surface Guarantee, 10 Year Guarantee when fitted to Accoya®, Oak and other acidic timber
- Matt finish provides a premium look and feel
- Tested and proven durability in accordance with salt spray test EN ISO 9227
- Extremely resistant to scratching, repelling water and dirt
- Durable and self-healing coating which means the performance of the surface finish is maintained throughout the lifetime of the hardware
- Reduces the risk of potential call-backs from homeowners
- Suitable for use:
  - On or near the coast
  - Areas of high pollution such as in large cities
  - Buildings still undergoing construction phase with high dust or vapour content



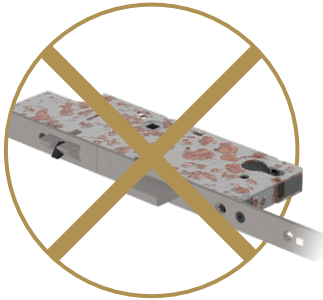
in acidic timber when fitted with pocket sleeves



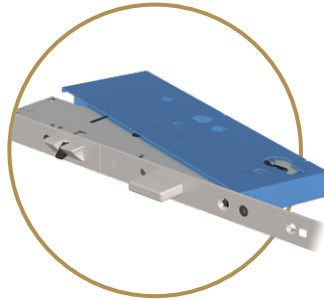
- ✓ PAS24 Approved locking system
- ✓ Tapered hook bolts for easy locking operation even with high gasket compression

TWIN HANDLE - SHOOTBOLT ON MASTER & SLAVE DOORS

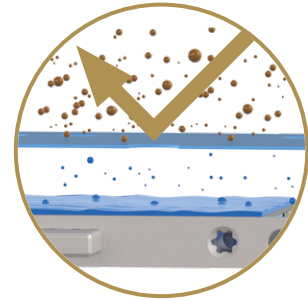
All gearbox cases are protected by the Volatile Corrosion Inhibitor (VCI) Protective Sleeves:



Corrosion from environment and acidic timber affects lock gearbox



Easy-to-fit VCI sleeve protects the gearbox from corrosion, both inside and out, ensuring long lasting functionality



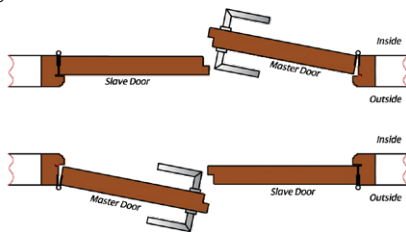
Corrosion-inhibiting substances from sleeve spread in the form of a gas, forming a protective coat on the metal surface and inside the gearbox

KIT CODES	DOOR HEIGHT	MASTER DOOR LOCK	SLAVE DOOR LOCK	POCKET SLEEVE SET	SNIB ADAPTOR*	BOTTOM SHOOTBOLT	TOP SHOOTBOLT			KEEPS
		ML44S-45-TR	ML47S-45-TR	ML44-45-SLEEVE	ML47-SNIB-TR*	MS44-120-TR	MS44-200-TR	MS44-300-TR	MS44-500-TR	MK44-TR
ML44S-KIT-45-12-A	1800mm - 2000mm	1	1	1	1*	2	2			3
ML44S-KIT-45-12-B	1900mm - 2100mm	1	1	1	1*	2		2		3
ML44S-KIT-45-12-C	2100mm - 2300mm	1	1	1	1*	2			2	3

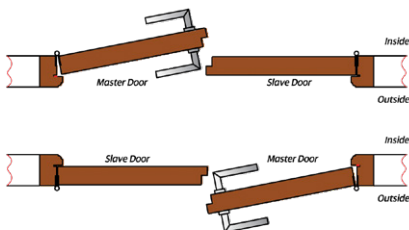
\*Only required for double rebate

Door Lock Handing (as viewed from outside)

Right-Hand Lock



Left-Hand Lock



Ask about our Tooling



TWIN HANDLE - SHOOTBOLT ON MASTER & SLAVE DOORS

