



Klone Double Doors

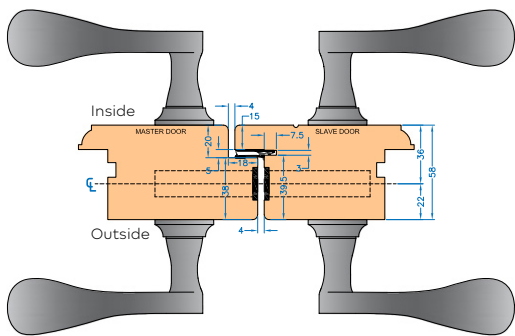
TWIN HANDLE - SHOOTBOLT ON MASTER & SLAVE
DOORS

T 01726 871 025 E sales@coastal-group.com W coastal-group.com
© Coastal Specialist Ironmongery Ltd

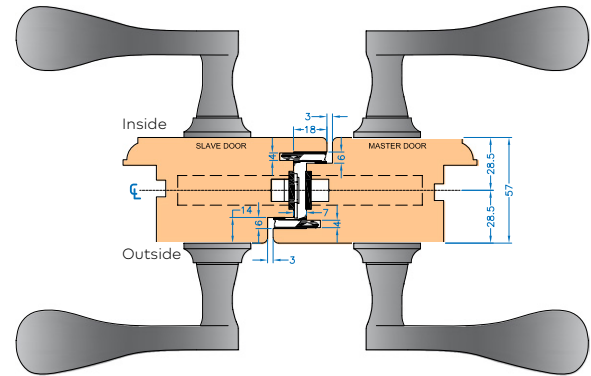


COASTAL

Shaping the future.



Single Rebate System



Double Rebate System

- High security locking for double doors without the need for a dummy mullion, dramatically reducing sightlines
- Lever handles on master and slave doors
- Shootbolts operated by lever handles to lock master and slave doors in position
- Ideal for taller doors
- 5-Point Locking system on master door locks directly into slave door
- Supplied with the ML24S lock (see page 4) featuring Twin Tapered Deadbolts for effective security and a tight seal
- High performance, strengthened centre gearbox

TECHNICAL INFORMATION:

- 92mm Euro Lock Centre
- 45mm Backset option
- Left & Right Lock Handing
- 20mm Faceplate on Master

The below tables show the components required based on door height.

Twin Handle (Klone) Components - Single Rebate

MASTER LOCK (ML24S-45-1-SV) - SLAVE LOCK (ML26S-45-LH/RH-22-SV)

DOOR HEIGHT	MASTER DOOR LOCK	SLAVE DOOR LOCK	LOCK EXTENSION			SHOOTBOLTS				KEEPS
			(Master)	Master	Slave	Master	Slave	Master	Slave	
	ML24S-45-1-SV	ML26S-45-LH/RH-22-SV	MK6M	MK65S		MS175*		MS372		MK7-FLU
2110 - 2180mm	1	1	1	-	1	2	1	-	1	2
2181 - 2380mm	1	1	1	-	1	1	1	1	1	2
2381 - 2830mm	1	1	1	1	2	1	1	1	1	2
2831 - 3060mm	1	1	1	2	2	1	1	1	1	2

Twin Handle (Klone) Components - Double Rebate

MASTER LOCK (ML24S-45-1-SV) - SLAVE LOCK (ML26S-45-LH/RH-12-SV)

DOOR HEIGHT	MASTER DOOR LOCK	SLAVE DOOR LOCK	LOCK EXTENSION			SHOOTBOLTS				KEEPS
			(Master)	Master	Slave	Master	Slave	Master	Slave	
	ML24S-45-1-SV	ML26S-45-LH/RH-12-SV	MK6M	MK65S		MS175*		MS372		MK7-FLU
2110 - 2180mm	1	1	1	-	1	2	1	-	1	2
2181 - 2380mm	1	1	1	-	1	1	1	1	1	2
2381 - 2830mm	1	1	1	1	2	1	1	1	1	2
2831 - 3060mm	1	1	1	2	2	1	1	1	1	2

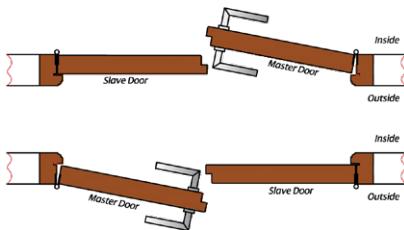
NOTE: ML26 Slave Lock is handed

* Every 1mm cropped off the bottom shootbolt reduces spindle height by 1mm starting from 1050mm.

Door Lock Handing (as viewed from outside)

Ask about our Tooling

Right-Hand Lock



Left-Hand Lock

