



## *Solo Double Doors*

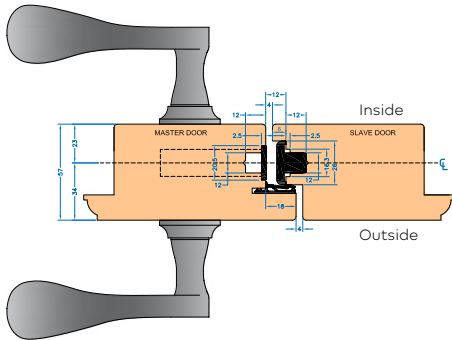
SINGLE HANDLE - STANDARD LOCK

T 01726 871 025 E [sales@coastal-group.com](mailto:sales@coastal-group.com) W [coastal-group.com](http://coastal-group.com)  
© Coastal Specialist Ironmongery Ltd

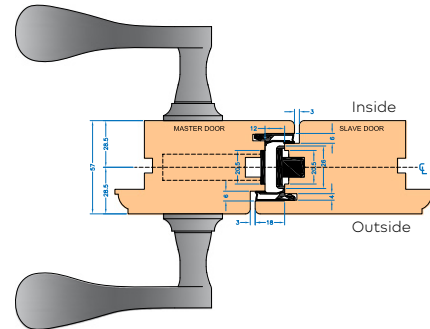


# COASTAL

*Shaping the future.*



Single Rebate System



Double Rebate System

- High security locking for double doors without the need for a dummy mullion, dramatically reducing sightlines
- Lever handle on master door only
- U-rail keep on slave door with flick switch for operating shootbolts into head and cill
- Bolts on master door lock directly into slave door
- Ideal for double doors with irregular sash widths
- Supplied with either the ML60S or ML50S locks (see page 4) with multiple deadbolts for excellent security

TECHNICAL INFORMATION:

- 92mm Euro Lock Centre
- 45 Backset option
- Left & Right Lock Handing
- 20mm Faceplate on Master
- 26mm U-rail Faceplate on Slave

NOTE: U-rail Faceplate on Slave sits proud, with the lock edge acting as a striker



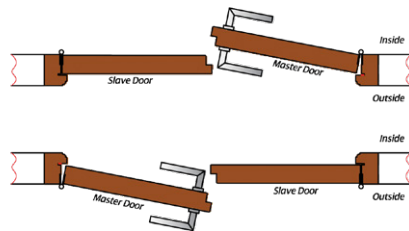
**BIOMETRIC**  
Lock can also be used with our Biometric Door Lock Kit.

KIT CODES	DOOR HEIGHT	MASTER DOOR LOCK		SLAVE DOOR LOCK				SLAVE DOOR LOCK SHOOT BOLTS					KEEPS	
		ML60S-45-1-SV	ML50S-45-3-SV	ML30-1-LH-SV	ML30-1-RH-SV	ML30-3-LH-SV	ML30-3-RH-SV	MS256-SV	MS399-SV	MS541-SV	MS684-SV	MS827-SV	MS28-SV	MS24-SV
ML30S-KIT-45-A-LH	1853-1996mm	1		1				1					2	
ML330S-KIT-45-A-RH	1853-1996mm	1			1			1					2	
ML30S-KIT-45-B-LH	1997-2139mm	1		1					1				2	
ML30S-KIT-45-B-RH	1997-2139mm	1			1				1				2	
ML30S-KIT-45-C-LH	2140-2281mm	1		1						1			2	
ML30S-KIT-45-C-RH	2140-2281mm	1			1					1			2	
ML30S-KIT-45-D-LH	2282-2425mm	1		1							1		2	
ML30S-KIT-45-D-RH	2282-2425mm	1			1						1		2	
ML30S-KIT-45-E-LH	2426-2567mm	1		1								1	2	
ML30S-KIT-45-E-RH	2426-2567mm	1			1							1	2	
ML30S-KIT-45-F-LH	2496-2639mm		1				1			1			2	
ML30S-KIT-45-F-RH	2496-2639mm		1				1		1				2	
ML30S-KIT-45-G-LH	2639-2781mm		1				1				1		2	
ML30S-KIT-45-G-RH	2639-2781mm		1				1			1			2	
ML30S-KIT-45-H-LH	2782-2924mm		1				1				1		2	
ML30S-KIT-45-H-RH	2782-2924mm		1				1				1		2	
ML30S-KIT-45-I-LH	2925-3066mm		1				1					1	2	
ML30S-KIT-45-I-RH	2925-3066mm		1				1					1	2	

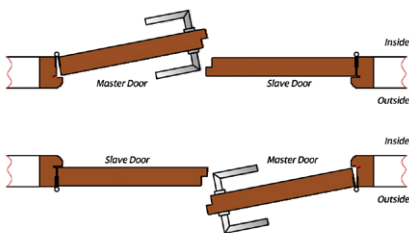
Door Lock Handing (as viewed from outside)

Ask about our Tooling

Right-Hand Lock



Left-Hand Lock



KIT CODES	DOOR HEIGHT	MASTER DOOR LOCK		SLAVE DOOR LOCK				SLAVE DOOR LOCK SHOOT BOLTS					KEEPS	
		ML60S-45-1-SV	ML50S-45-3-SV	ML30-1-LH-SV	ML30-1-RH-SV	ML30-3-LH-SV	ML30-3-RH-SV	MS256-SV	MS399-SV	MS541-SV	MS684-SV	MS827-SV	MS28-SV	MS24-SV
ML30SFK-KIT-45-A-LH	1853-1996mm	1		1				1						2
ML30SFK-KIT-45-A-RH	1853-1996mm	1			1			1						2
ML30SFK-KIT-45-B-LH	1997-2139mm	1		1					1					2
ML30SFK-KIT-45-B-RH	1997-2139mm	1			1				1					2
ML30SFK-KIT-45-C-LH	2140-2281mm	1		1						1				2
ML30SFK-KIT-45-C-RH	2140-2281mm	1			1					1				2
ML30SFK-KIT-45-D-LH	2282-2425mm	1		1							1			2
ML30SFK-KIT-45-D-RH	2282-2425mm	1			1						1			2
ML30SFK-KIT-45-E-LH	2426-2567mm	1		1								1		2
ML30SFK-KIT-45-E-RH	2426-2567mm	1			1							1		2
ML30SFK-KIT-45-F-LH	2496-2639mm		1			1			1					2
ML30SFK-KIT-45-F-RH	2496-2639mm		1				1		1					2
ML30SFK-KIT-45-G-LH	2639-2781mm		1			1				1				2
ML30SFK-KIT-45-G-RH	2639-2781mm		1				1			1				2
ML30SFK-KIT-45-H-LH	2782-2924mm		1			1					1			2
ML30SFK-KIT-45-H-RH	2782-2924mm		1				1				1			2
ML30SFK-KIT-45-I-LH	2925-3066mm		1			1						1		2
ML30SFK-KIT-45-I-RH	2925-3066mm		1				1					1		2

