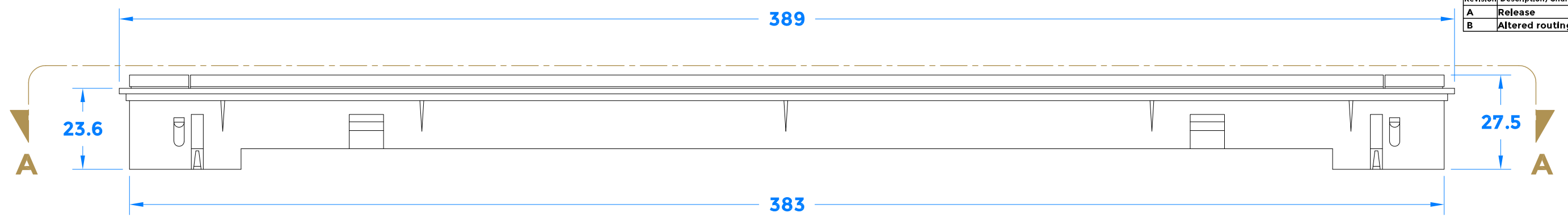
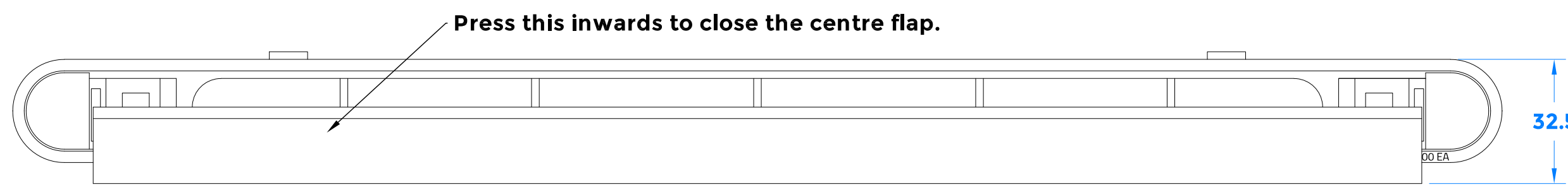


Drawing Revision History		
Revision	Description/Change	Date
A	Release	21/2/2022
B	Altered routing detail width	18/5/2022



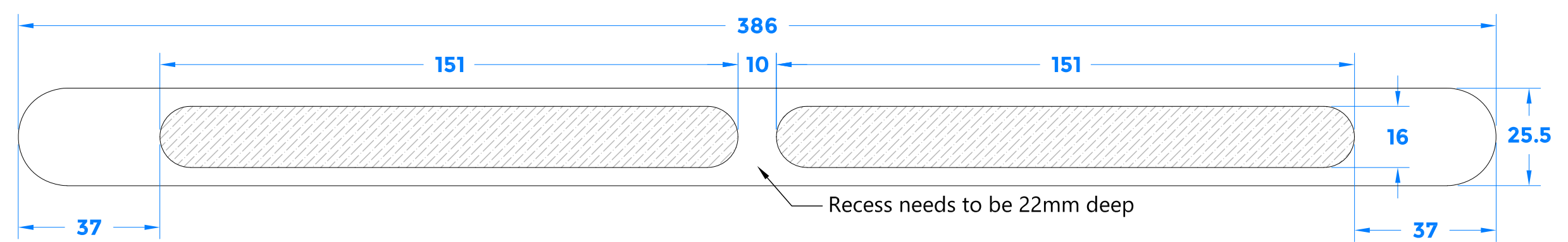
Press down here on both sides to release the centre flap.

**Closed Position** **Section A-A**



**Open Position**

**Routing Details**



coastal-group.com  
*Shaping the future.*

**COASTAL**

Part Number / Drawing Title:  
**TVA389 - Plastic Recessed Clip-Fix Trickle Vent**

Product Range:  
**Trickle Ventilation**

Material: Plastic

Additional Info: 389mm Length - 4300EA mm2

Date Drawn: 18/05/2022

Drawn By: Phillip Walklett

Part Number: TVA389

File Name: TVA389.dwg

Revision: B

Drawing Scale: Not to Scale

Sheet Number: 1 of 1

THIRD ANGLE PROJECTION

This drawing and specification are the property of Coastal Specialist Ironmongery Ltd, they are issued in strict confidence and shall not be reproduced, copied or used without written permission.  
EAOE - All dimensions are specified in mm.