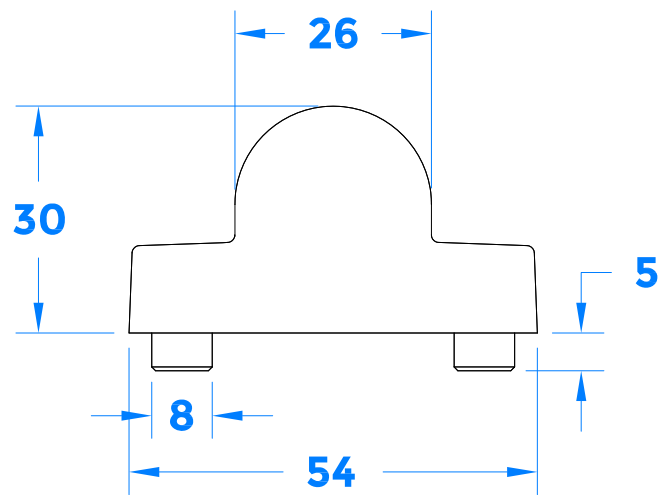
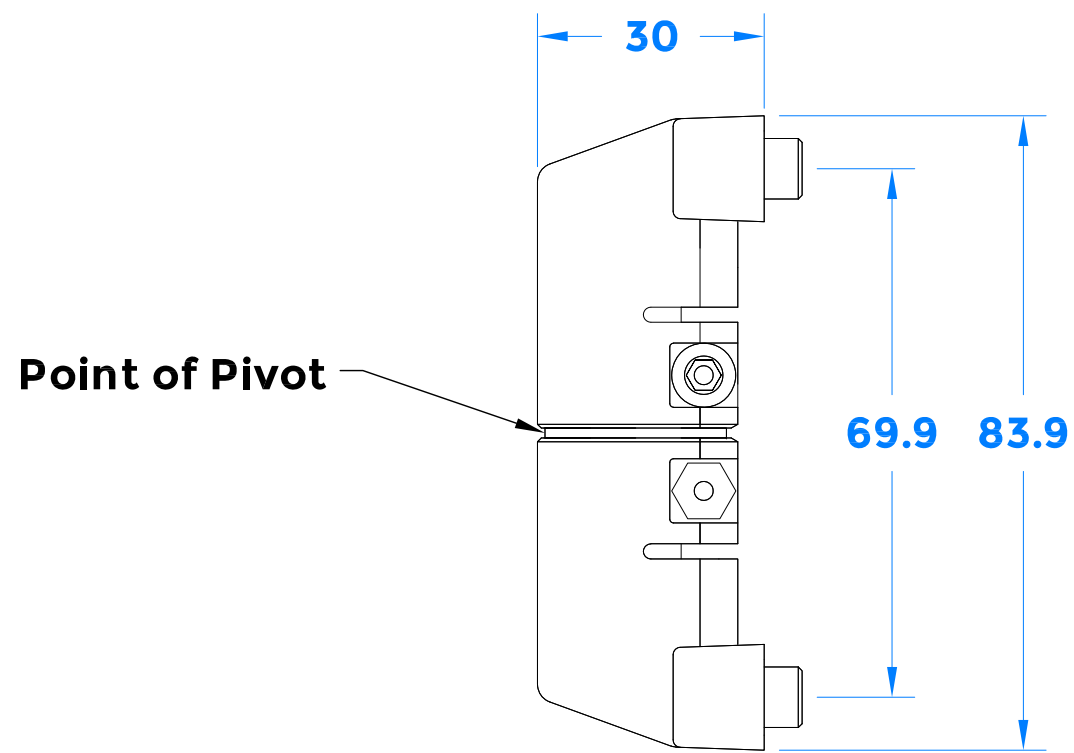
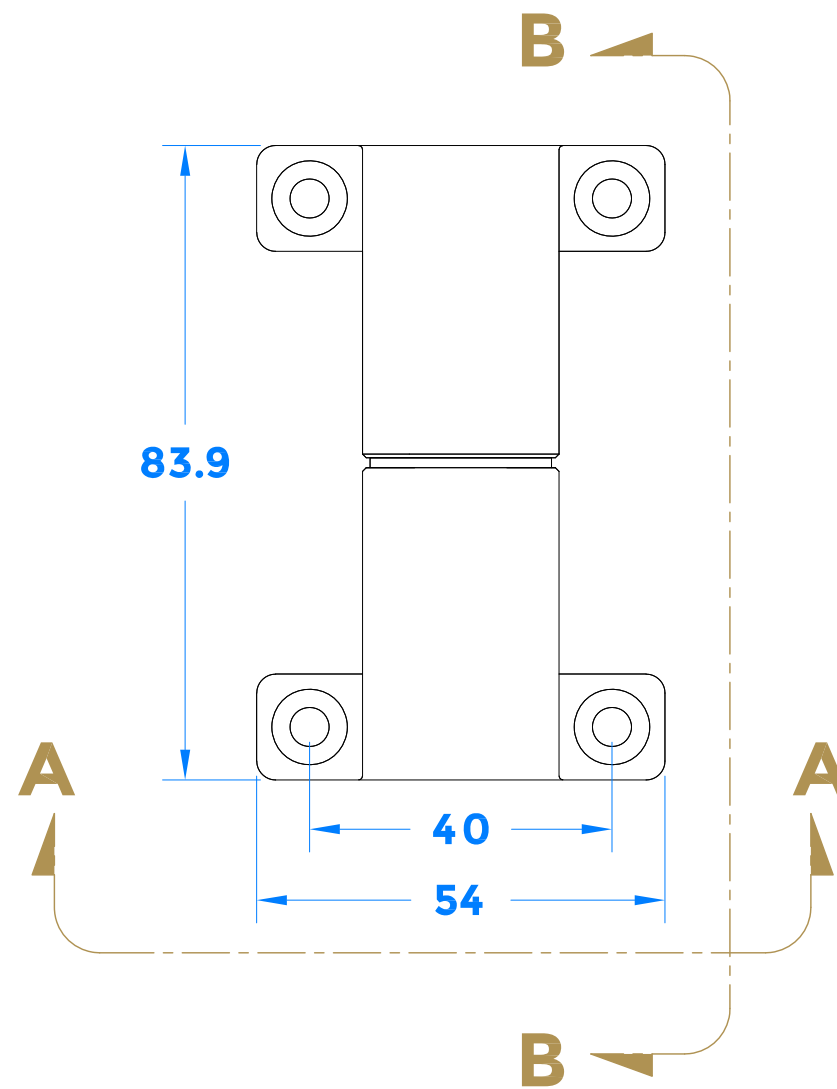


Drawing Revision History		
Revision	Description/Change	Date
A	Release	21/2/2022



SECTION A-A



SECTION B-B

coastal-group.com
Shaping the future.

COASTAL

Part Number / Drawing Title:
**AX9
Face Fix Pivot Hinge**

Product Range:
Window Pivots

Material:

Additional Info: Capacity 50KG

Date Drawn: 21/02/2022

Drawn By: Philip Walklett

Part Number: AX9

File Name: AX9.dwg

Revision: A

Drawing Scale: 1:1@ A3

Sheet Number: 1 of 1

THIRD ANGLE PROJECTION

This drawing and specification are the property of Coastal Specialist Ironmongery Ltd, they are issued in strict confidence and shall not be reproduced, copied or used without written permission.
EAOE - All dimensions are specified in mm.