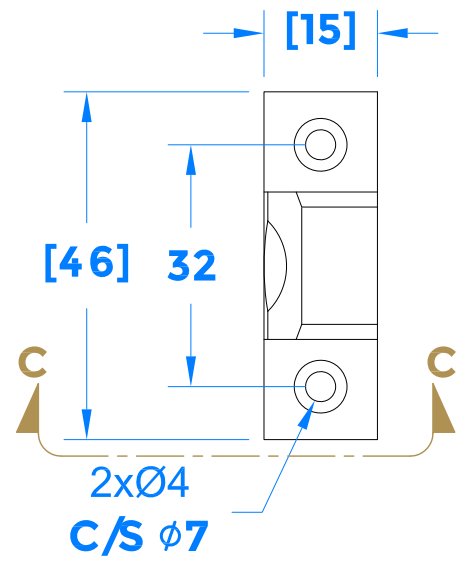
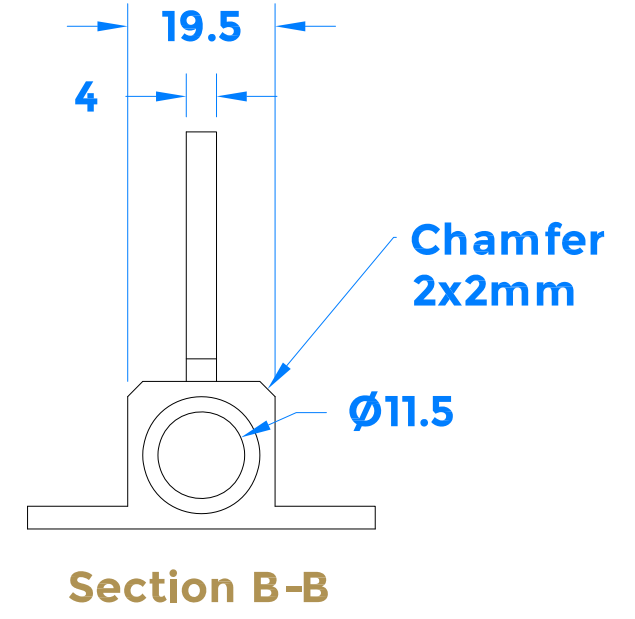
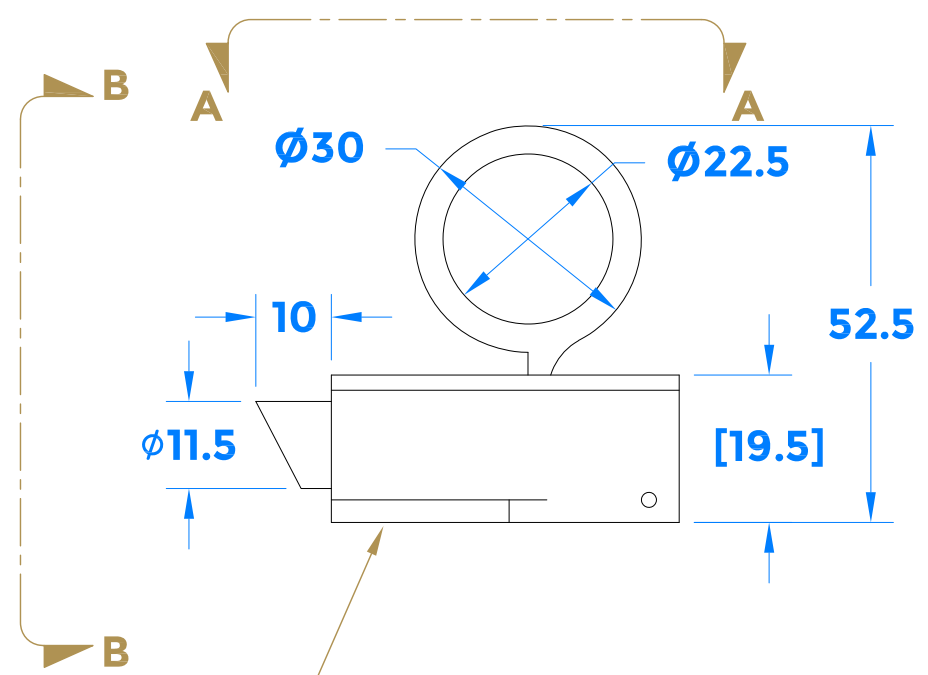
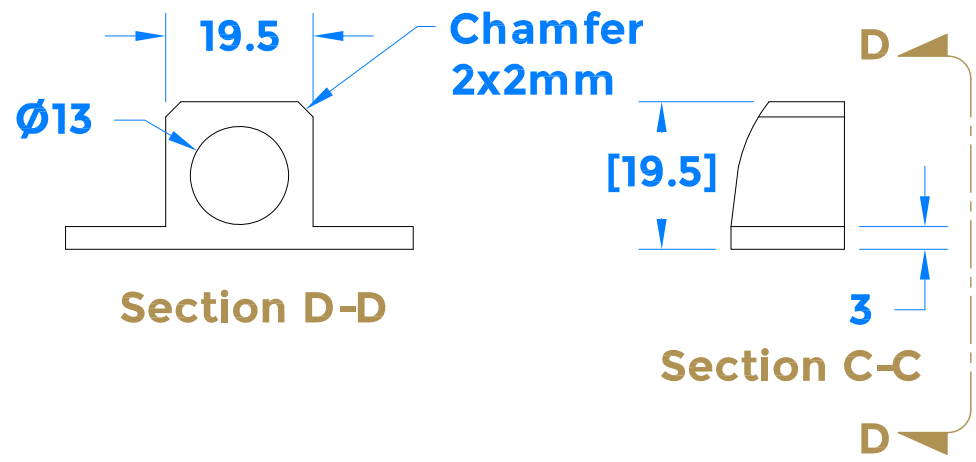
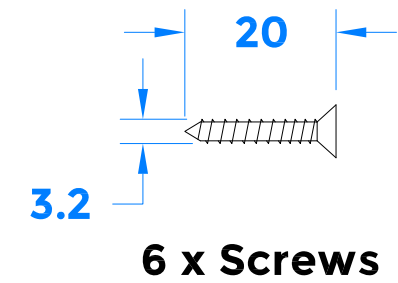
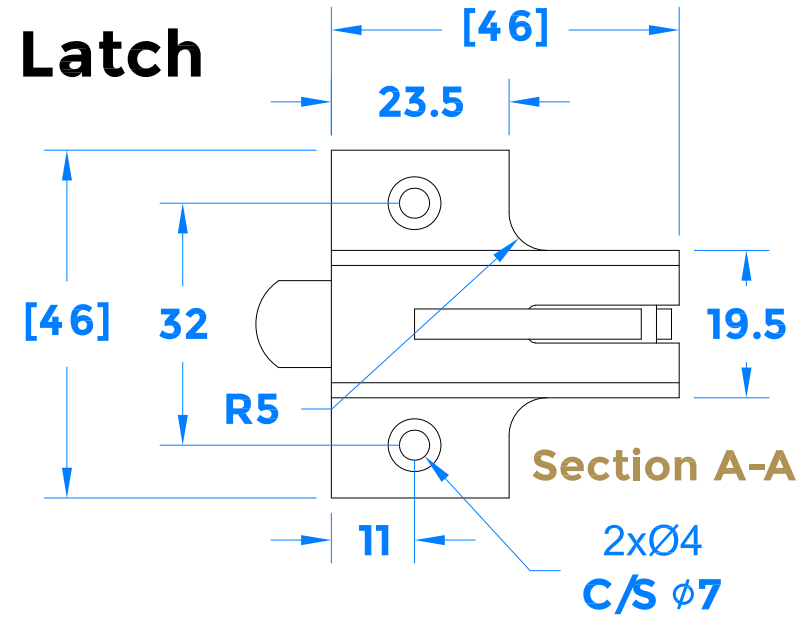


Drawing Revision History		
Revision	Description/Change	Date
A	Release	21/2/2022

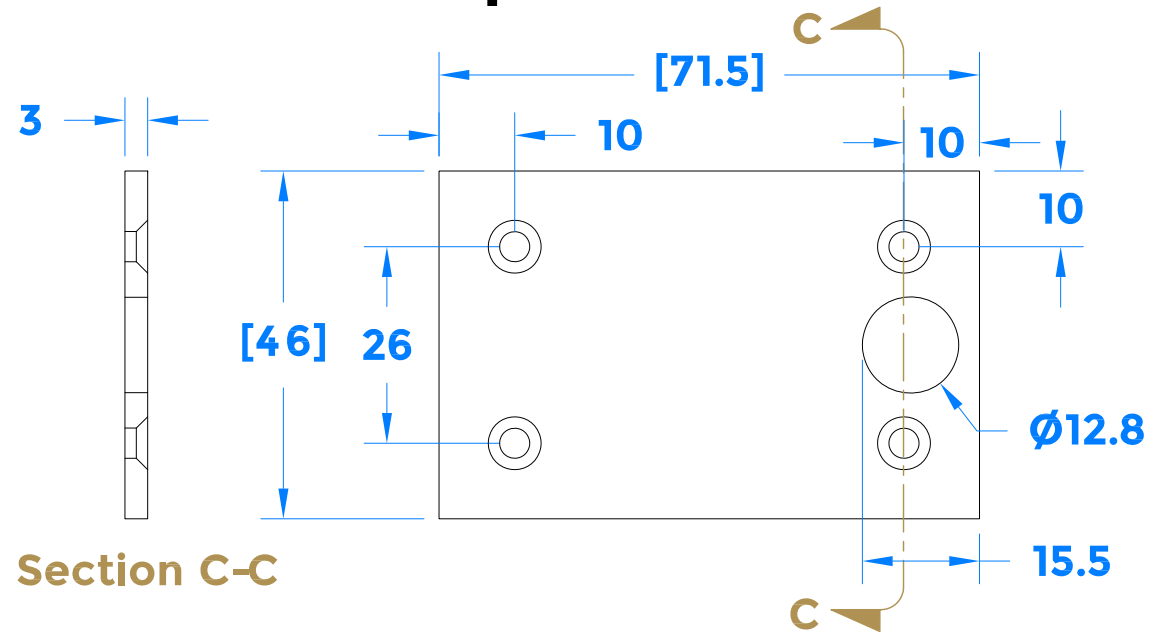
Box Keep



Latch



Flat Plate Keep



blu Logo printed underneath

COASTAL
 coastal-group.com
Shaping the future.

Part Number / Drawing Title:
BFC45 - Fanlight Catch with Flat Plate & Box Keep

Product Range:
Window Furniture

Material: **Stainless Steel**

Additional Info: **BLU**

Date Drawn: **21/02/2022**

Drawn By: **Phillip Walklett**

Part Number: **BFC45**

File Name: **BFC45.dwg**

Revision: **A**

Drawing Scale: **1:1@A3**

Sheet Number: **1 of 1**

THIRD ANGLE PROJECTION

This drawing and specification are the property of Coastal Specialist Ironmongery Ltd, they are issued in strict confidence and shall not be reproduced, copied or used without written permission.
 E&OE - All dimensions are specified in mm.