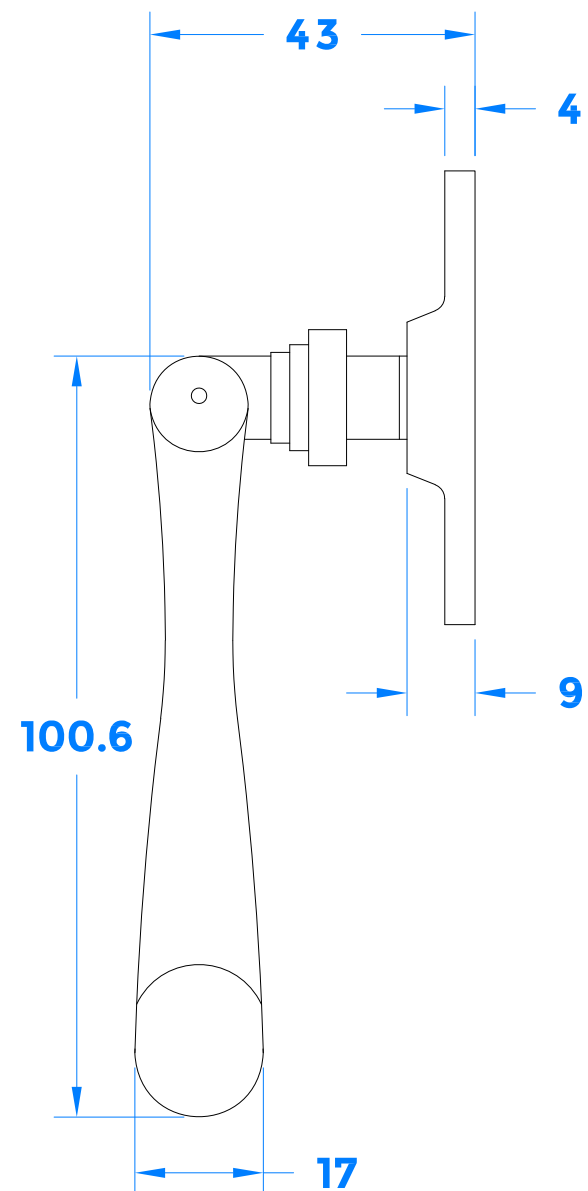
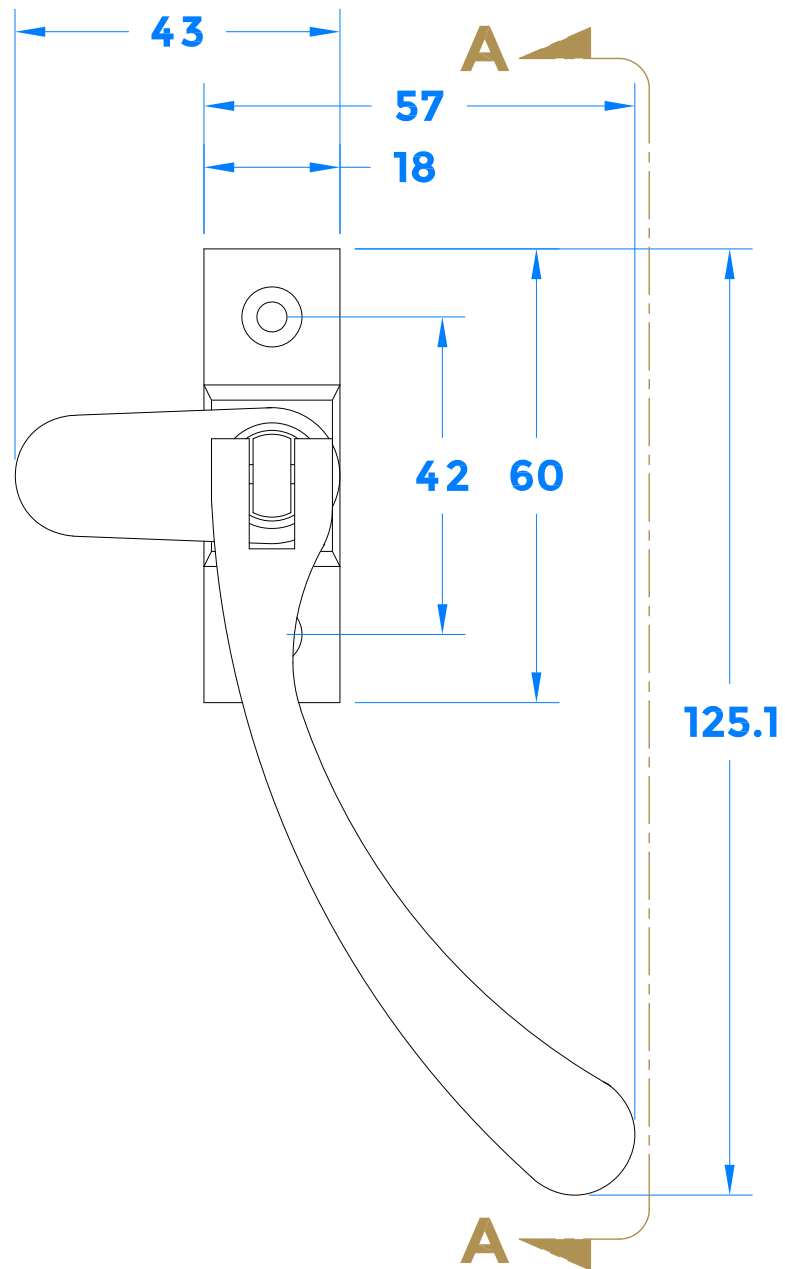
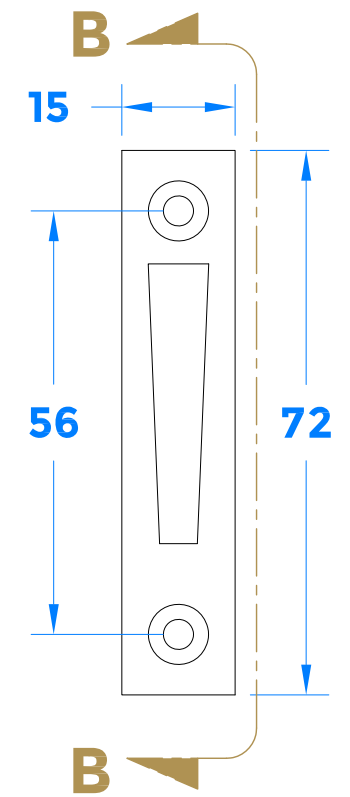


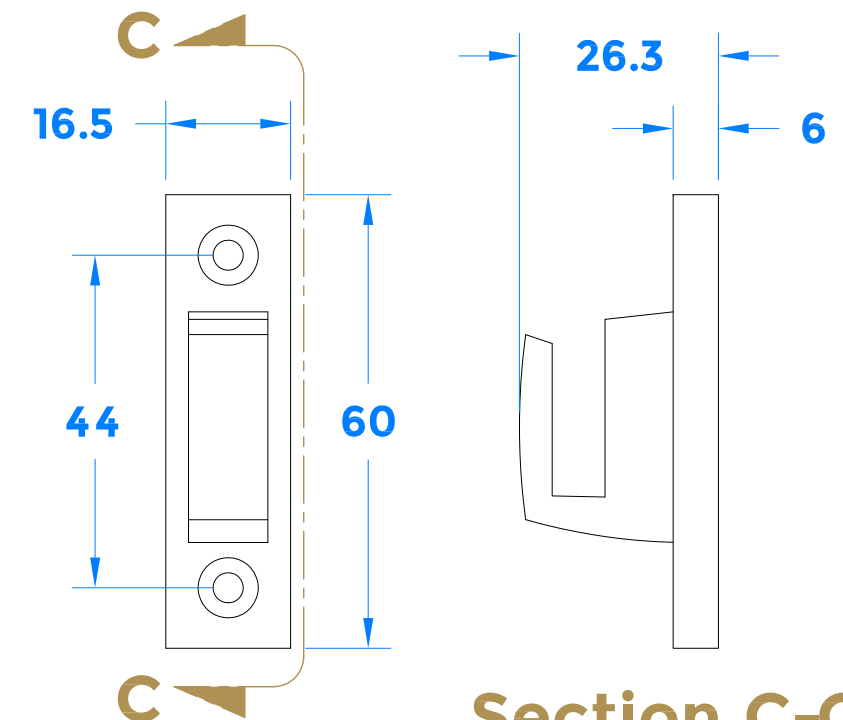
| Drawing Revision History |                    |           |
|--------------------------|--------------------|-----------|
| Revision                 | Description/Change | Date      |
| A                        | Release            | 21/2/2022 |





**Section A-A**



**Section B-B**




**Section C-C**

-  **6 x Solid Brass Woodscrews**
-  **1 x Steel Woodscrews**

**IMPORTANT NOTE:** This product is supplied with solid brass woodscrews and one steel screw, the steel screw is intended to be used to cut the thread prior to fixing the door furniture with the brass woodscrews.

We recommend the drilling of a small pilot hole into the solid wood doors to avoid sheering the brass screw heads. The use of power screwdrivers is not recommended as these can damage the finish or sheer off the brass screw head by slippage or excessive tightening of the screw.



coastal-group.com  
*Shaping the future.*

**COASTAL**

Part Number / Drawing Title:  
**CC4 - Traditional Bulb End Casement Stay Fastener**

Product Range:  
**Windows Handles**

Material:

Additional Info: **Universal Handing**

Date Drawn: **21/02/2022**

Drawn By: **Phillip Walklett**

Part Number: **CC4**

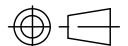
File Name: **CC4.dwg**

Revision: **A**

Drawing Scale: **1:1@A3**

Sheet Number: **1 of 1**

**THIRD ANGLE PROJECTION**

 This drawing and specification are the property of Coastal Specialist Ironmongery Ltd, they are issued in strict confidence and shall not be reproduced, copied or used without written permission.  
EAOE - All dimensions are specified in mm.