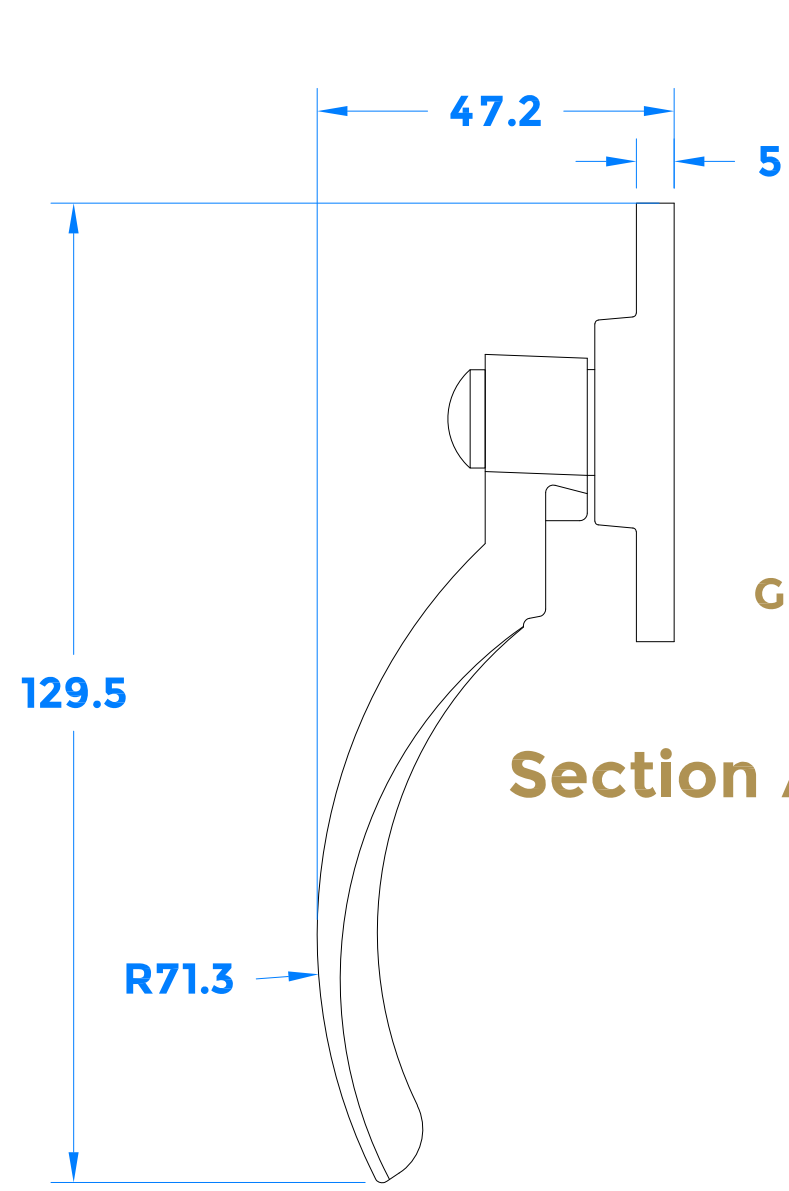
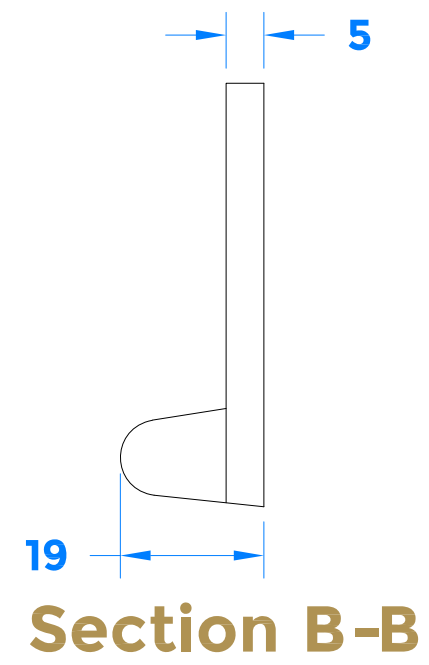
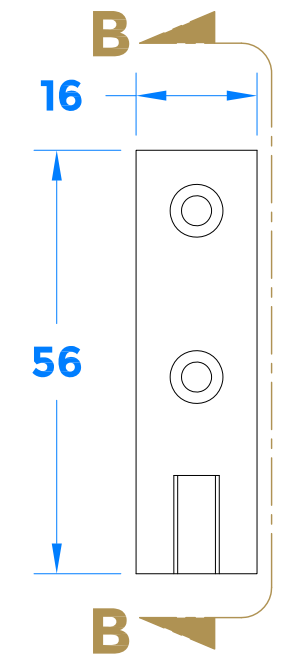
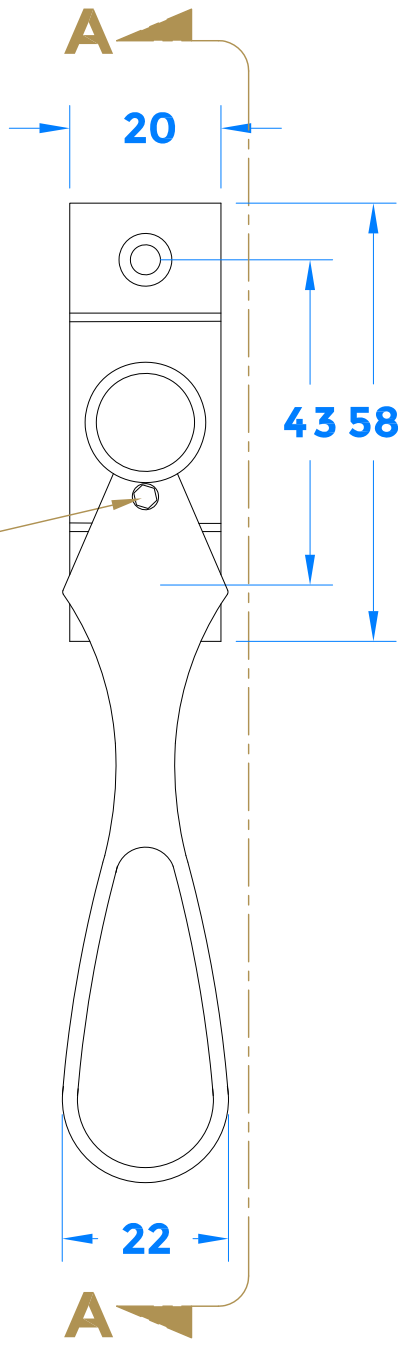


Drawing Revision History		
Revision	Description/Change	Date
A	Release	21/2/2022

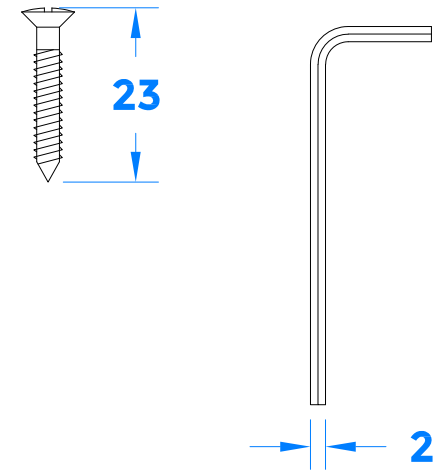


**Section A-A**

Locking  
Grub screw



**Section B-B**



coastal-group.com  
*Shaping the future.*

**COASTAL**

Part Number / Drawing Title:  
**CC22L - Traditional Spoon End Casement Window Fastener**

Product Range:  
**Window Handles**

Material:

Additional Info: Lockable - Universally Handed

Date Drawn: 21/02/2022

Drawn By: Philip Walklett

Part Number: CC22L

File Name: CC22L.dwg

Revision: A

Drawing Scale: 1:1@ A3

Sheet Number: 1 of 1

THIRD ANGLE PROJECTION

This drawing and specification are the property of Coastal Specialist Ironmongery Ltd, they are issued in strict confidence and shall not be reproduced, copied or used without written permission.  
EAOE - All dimensions are specified in mm.