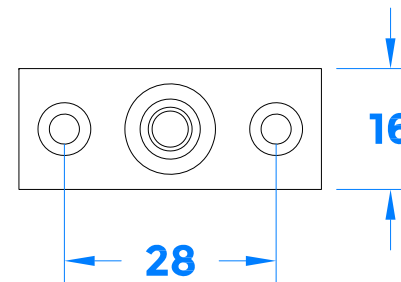
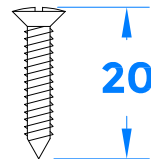
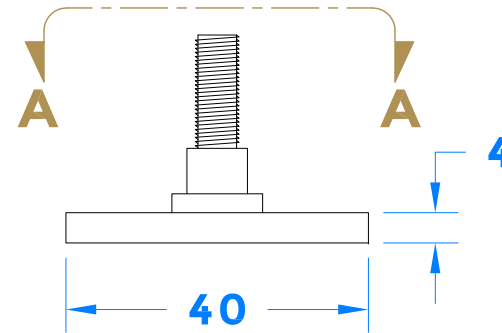
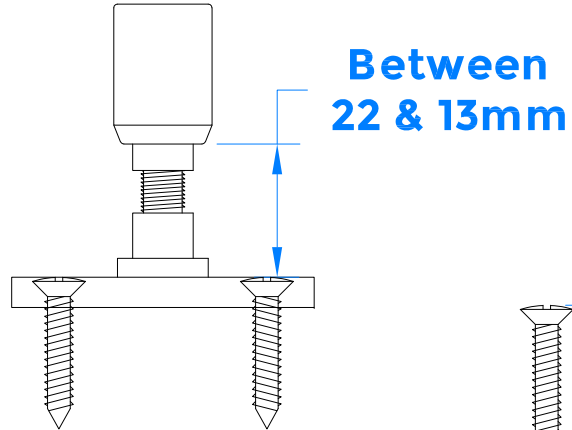
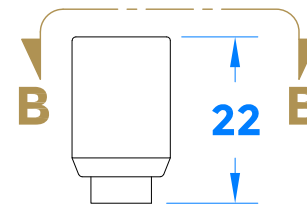
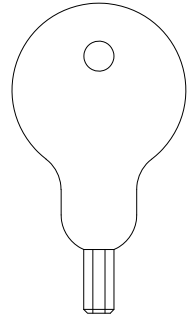
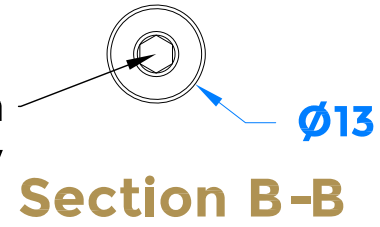


Drawing Revision History		
Revision	Description / Change	Date
A	Release	22/2/2022

Turn with
Allen Key



Assembled View

Section A-A



coastal-group.com
Shaping the future.

COASTAL

Part Number / Drawing Title:
**CC20
Locking Stay Pin**

Product Range:
Window Furniture

Material:

Additional Info: **Lockable**

Date Drawn: 22/02/2022

Drawn By: Philip Walklett

Part Number: CC20

File Name: CC20.dwg

Revision: A

Drawing Scale: 1:1@ A4

Sheet Number: 1 of 1

THIRD ANGLE PROJECTION



This drawing and specification are the property of Coastal Specialist Ironmongery Ltd, they are issued in strict confidence and shall not be reproduced, copied or used without written permission.
E&OE - All dimensions are specified in mm.