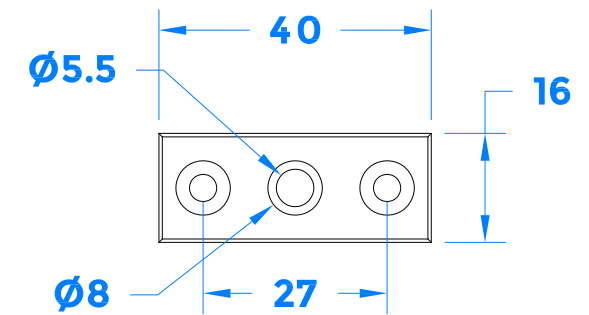
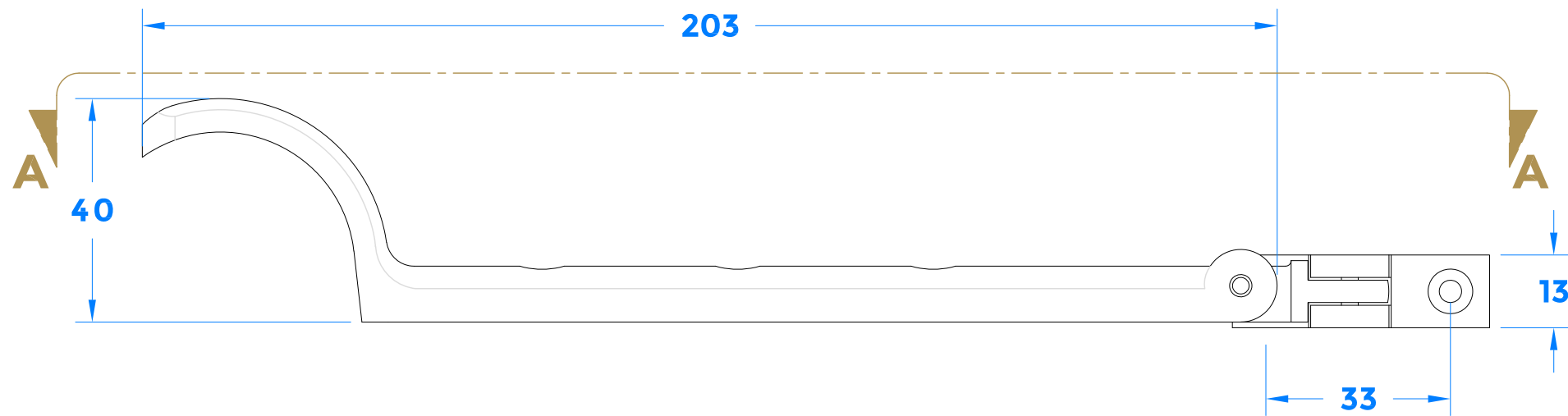
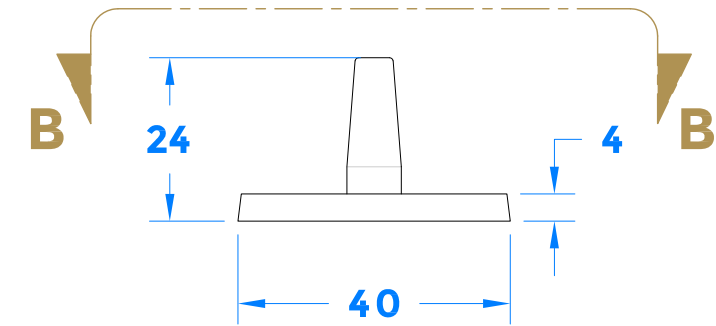
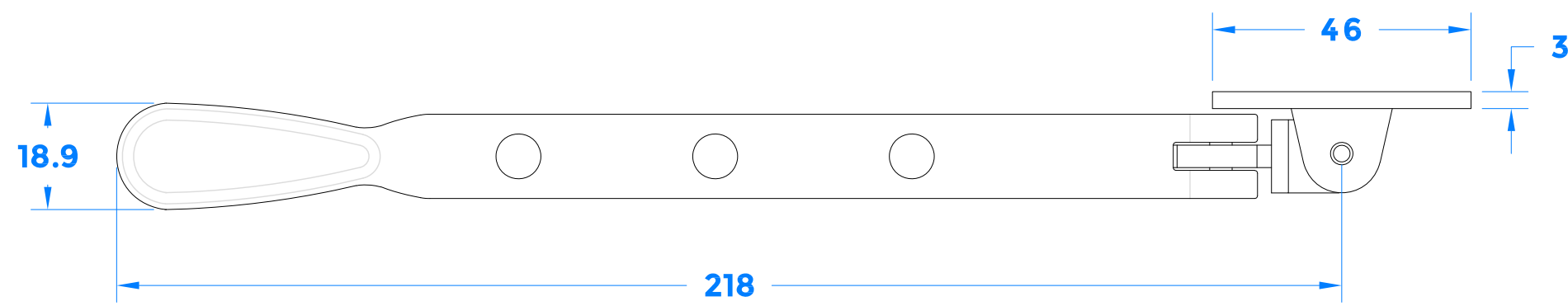


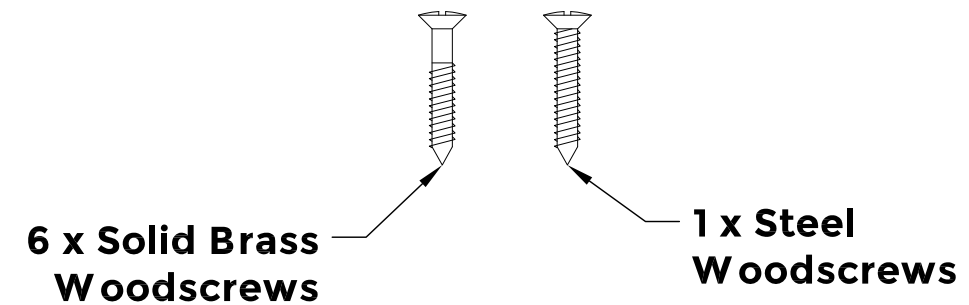
Drawing Revision History		
Revision	Description/Change	Date
A	Release	31/5/2022



**Section B-B**



**Section A-A**



**IMPORTANT NOTE:** This product is supplied with solid brass woodscrews and one steel screw, the steel screw is intended to be used to cut the thread prior to fixing the door furniture with the brass woodscrews.

We recommend the drilling of a small pilot hole into the solid wood doors to avoid sheering the brass screw heads. The use of power screwdrivers is not recommended as these can damage the finish or shear off the brass screw head by slippage or excessive tightening of the screw.



coastal-group.com  
*Shaping the future.*

**COASTAL**

Part Number / Drawing Title:  
**CC88 - Traditional Spoon End Casement Window Stay 8"**

Product Range:  
**Window Furniture**

Material:

Additional Info: 8" - 203mm

Date Drawn: 31/03/2022

Drawn By: Phillip Walklett

Part Number: CC88

File Name: CC88.dwg

Revision: A

Drawing Scale: Not to Scale

Sheet Number: 1 of 1

THIRD ANGLE PROJECTION

This drawing and specification are the property of Coastal Specialist Ironmongery Ltd, they are issued in strict confidence and shall not be reproduced, copied or used without written permission.  
E&OE - All dimensions are specified in mm.