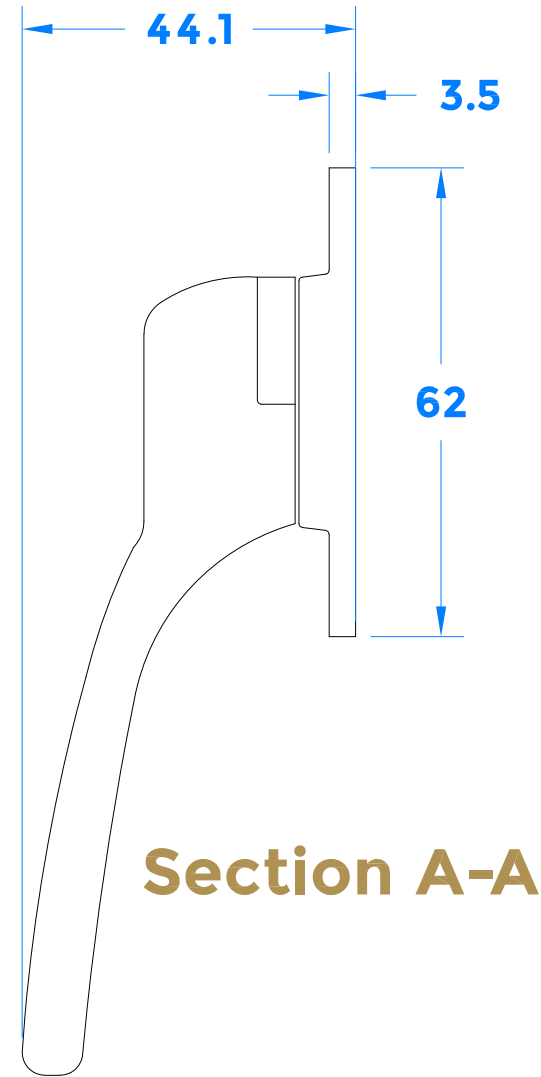
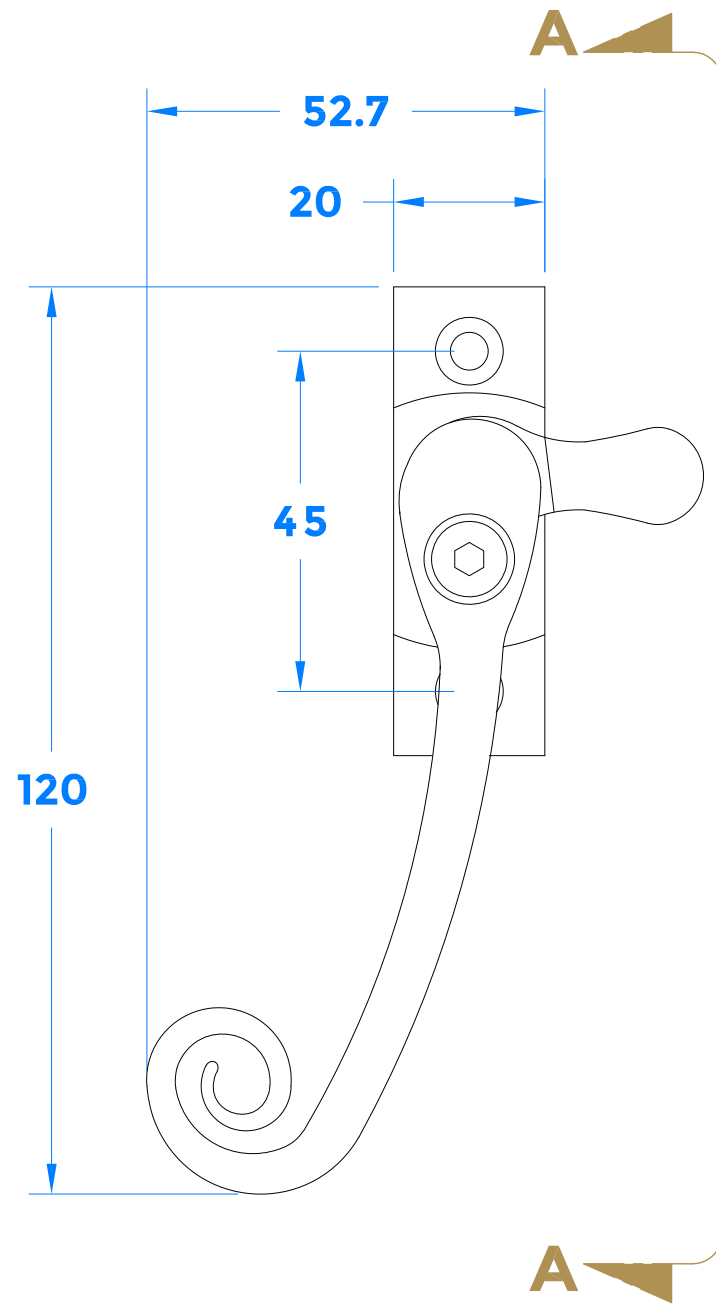
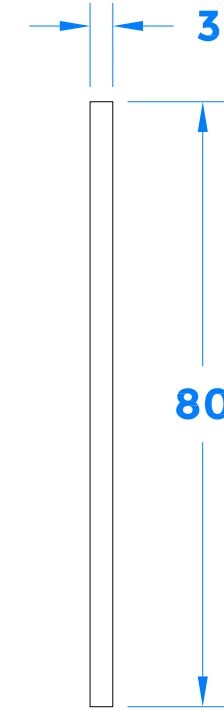
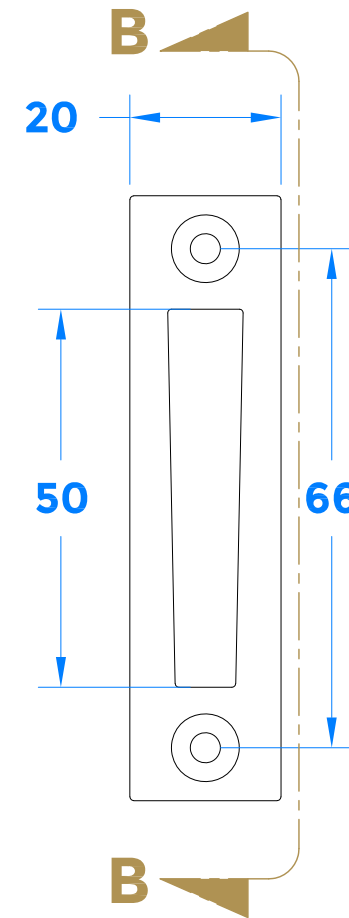


Left Hand Shown, Right Hand Opposite

Drawing Revision History		
Revision	Description/Change	Date
A	Release	22/2/2022

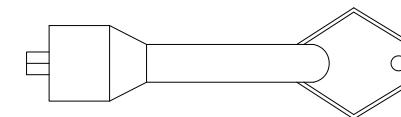
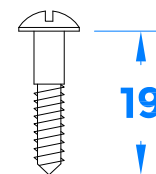


Section A-A



Section B-B

Mortice Plate



Locking Key

 **COASTAL** coastal-group.com
Shaping the future.

Part Number / Drawing Title:
CO8439 - Antique Curly Tail Casement Fastener

Product Range:
Window Handles

Material:

Additional Info: **Left Hand Shown, Right Hand Opposite**

Date Drawn: **22/02/2022**

Drawn By: **Phillip Walklett**

Part Number: **CO8439**

File Name: **CO8439.dwg**

Revision: **A**

Drawing Scale: **1:1@A4**

Sheet Number: **1 of 1**

THIRD ANGLE PROJECTION 

This drawing and specification are the property of Coastal Specialist Ironmongery Ltd, they are issued in strict confidence and shall not be reproduced, copied or used without written permission.
EAOE - All dimensions are specified in mm.