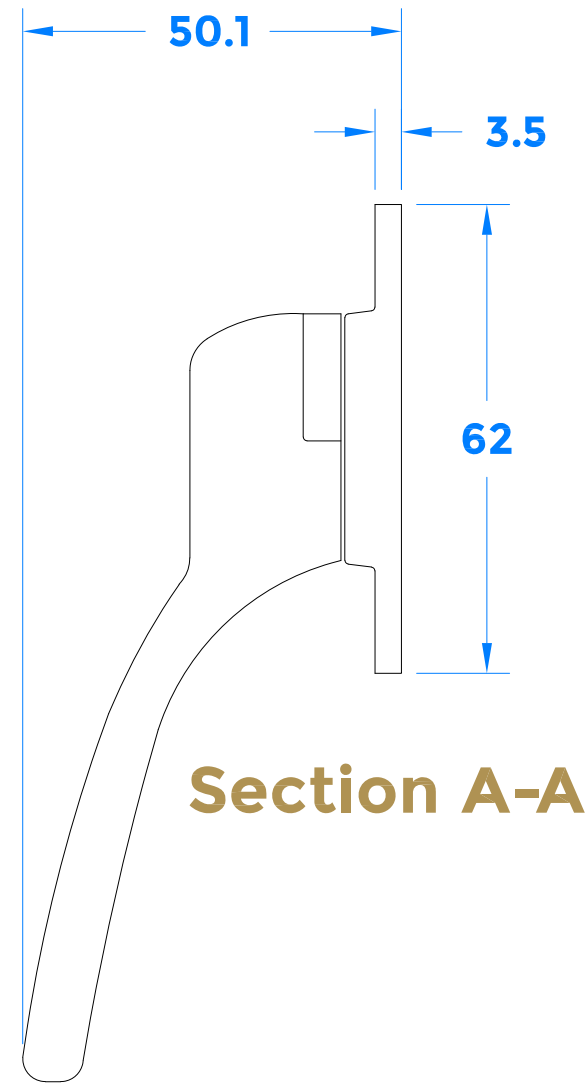
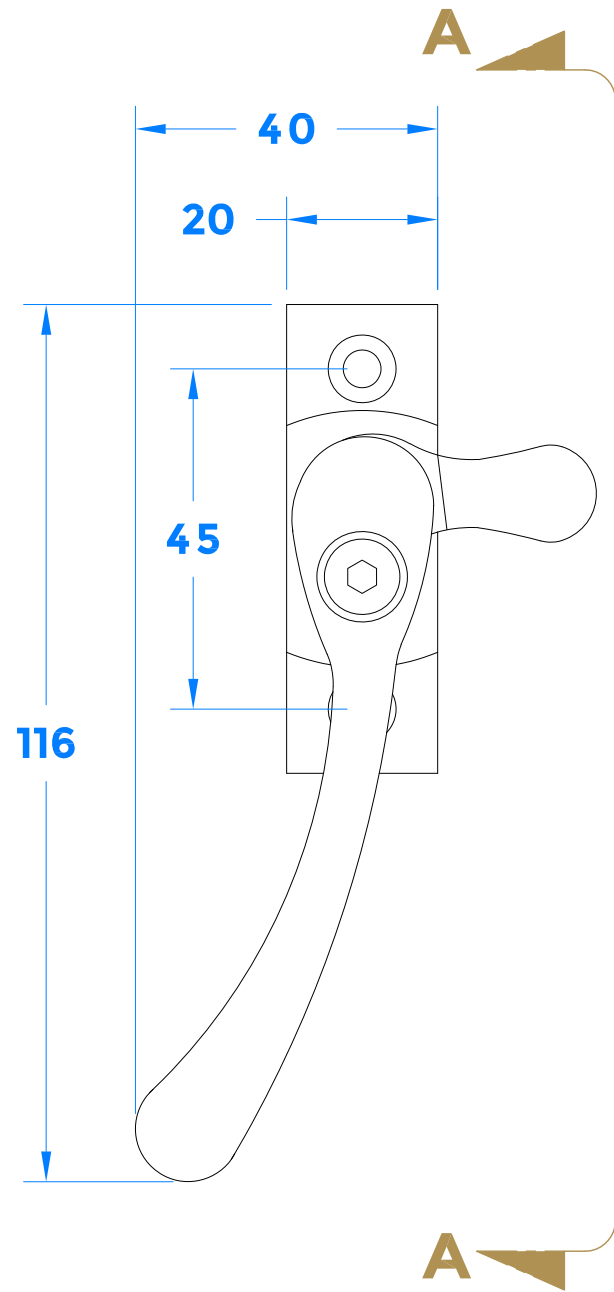
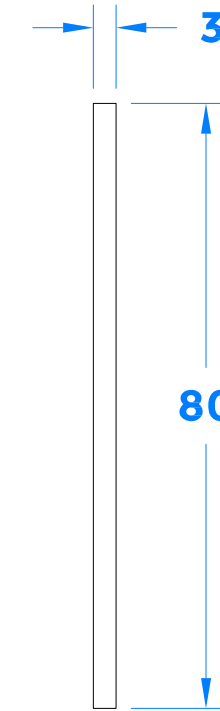
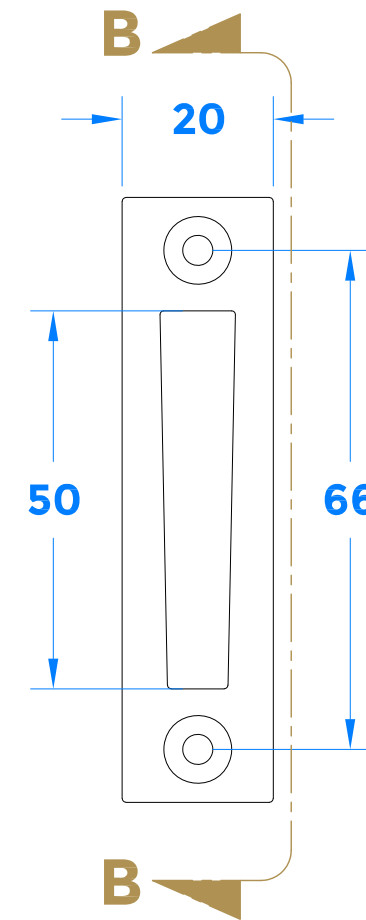


| Drawing Revision History | | |
|--------------------------|--------------------|-----------|
| Revision | Description/Change | Date |
| A | Release | 22/2/2022 |

Left Hand Shown, Right Hand Opposite

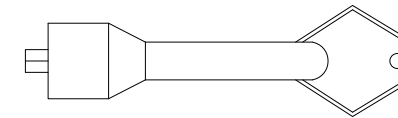


Section A-A

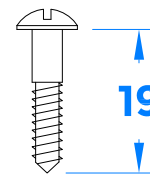


Section B-B

Mortice Plate



Locking Key





coastal-group.com
Shaping the future.

COASTAL

Part Number / Drawing Title:
CO8441 - Antique Bulb End Casement Fastener

Product Range:
Window Handles

Material:

Additional Info: **Left Hand Shown, Right Hand Opposite**

Date Drawn: **22/02/2022**

Drawn By: **Philip Walklett**

Part Number: **CO8441**

File Name: **CO8441.dwg**

Revision: **A**

Drawing Scale: **1:1@ A3**

Sheet Number: **1 of 1**

THIRD ANGLE PROJECTION

This drawing and specification are the property of Coastal Specialist Ironmongery Ltd, they are issued in strict confidence and shall not be reproduced, copied or used without written permission.
EAOE - All dimensions are specified in mm.