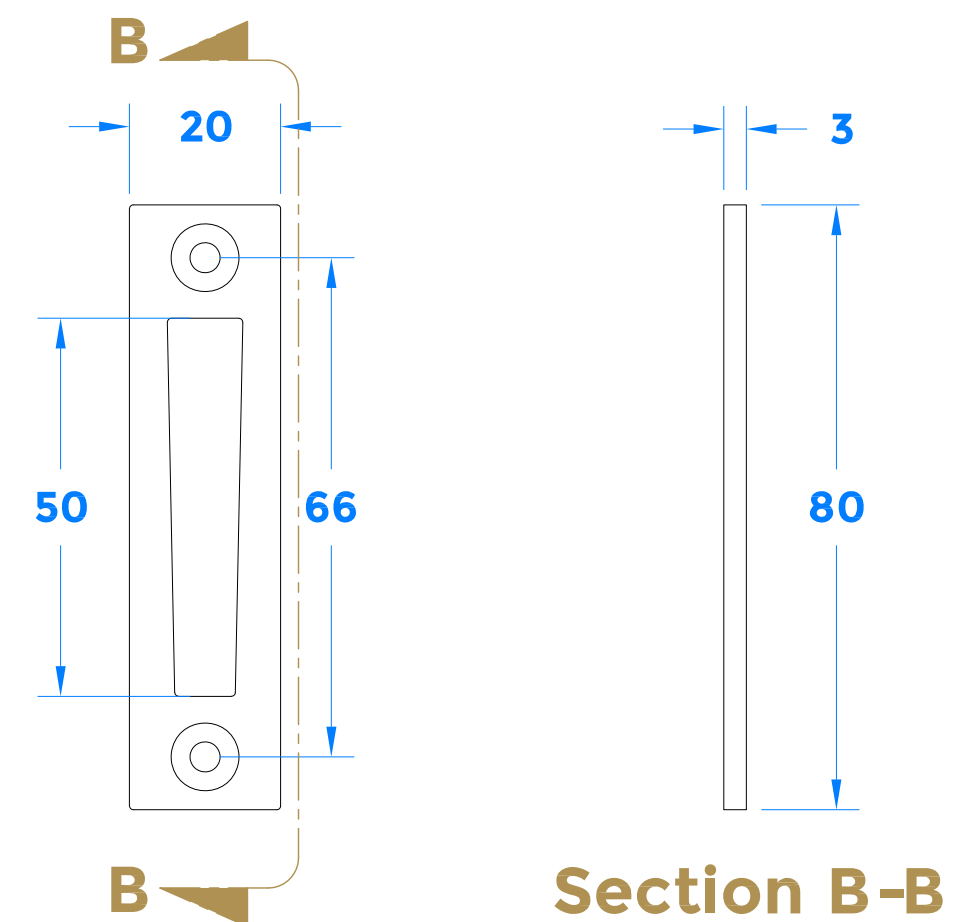
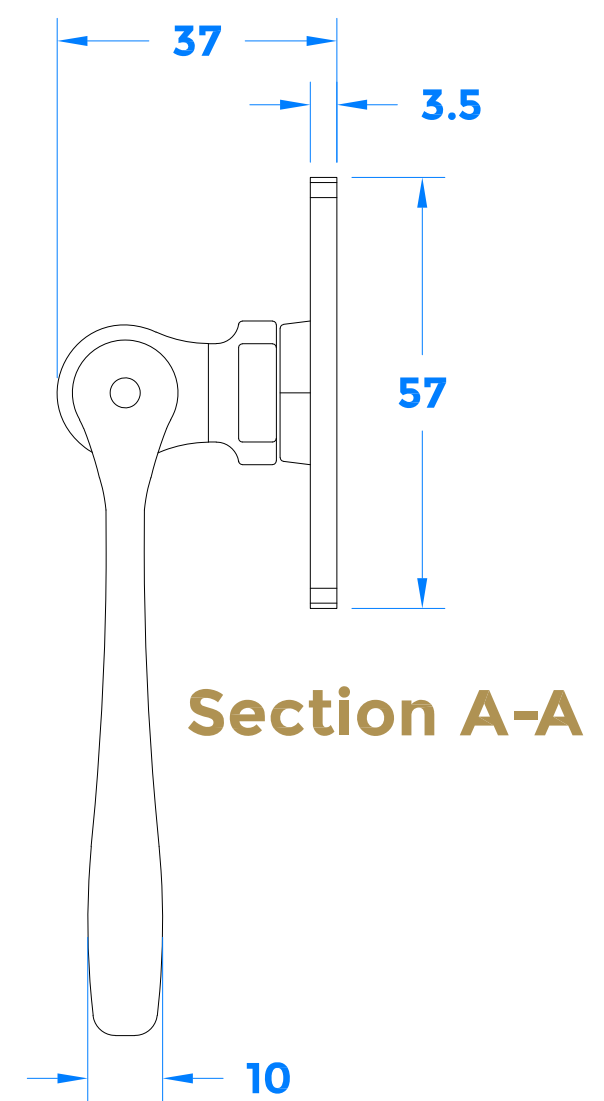
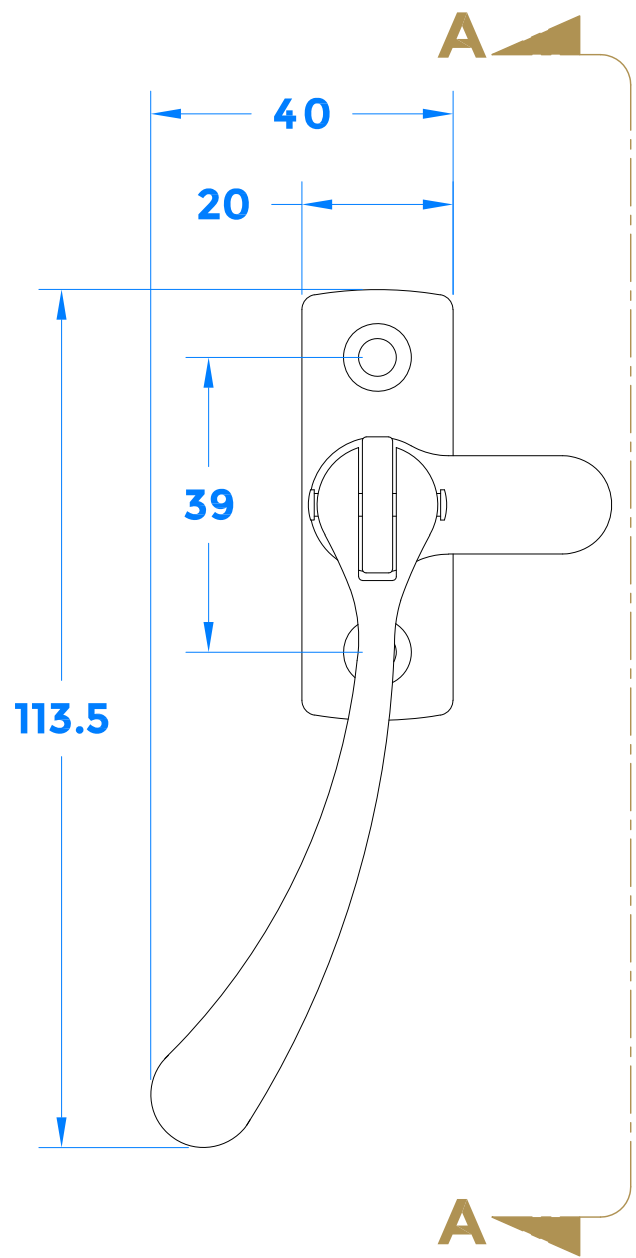
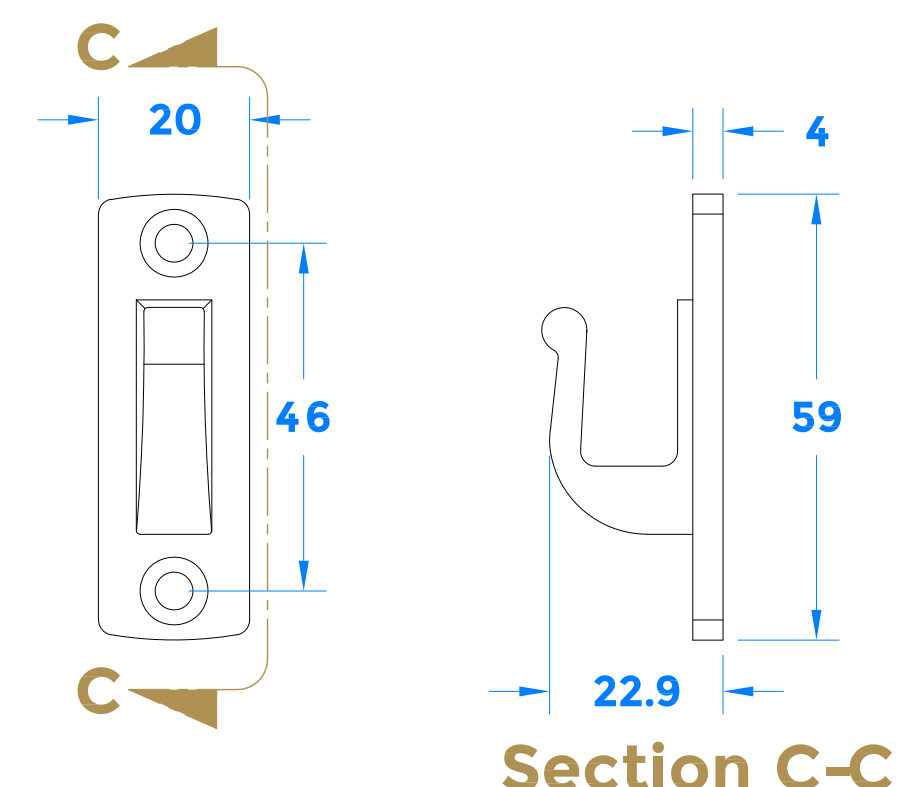


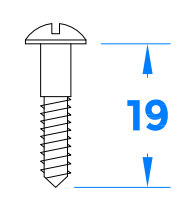
Drawing Revision History		
Revision	Description/Change	Date
A	Release	22/2/2022



Mortice Plate



Hook Plate



coastal-group.com
Shaping the future.

COASTAL

Part Number / Drawing Title:
CO8503 - Antique Bulb End Casement Fastener

Product Range:
Window Handles

Material:

Additional Info: **Non Locking - Universally Handed**

Date Drawn: 22/02/2022

Drawn By: Philip Walklett

Part Number: CO8503

File Name: CO8503.dwg

Revision: A

Drawing Scale: 1:1@ A3

Sheet Number: 1 of 1

THIRD ANGLE PROJECTION

This drawing and specification are the property of Coastal Specialist Ironmongery Ltd, they are issued in strict confidence and shall not be reproduced, copied or used without written permission.
EAOE - All dimensions are specified in mm.