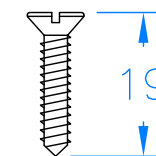
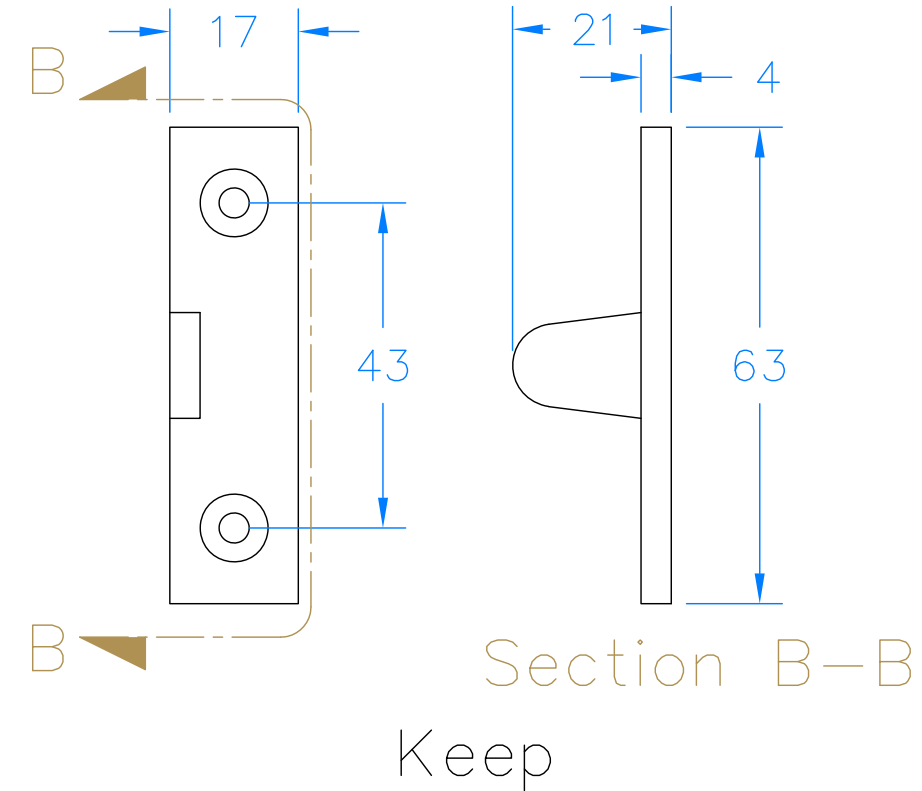
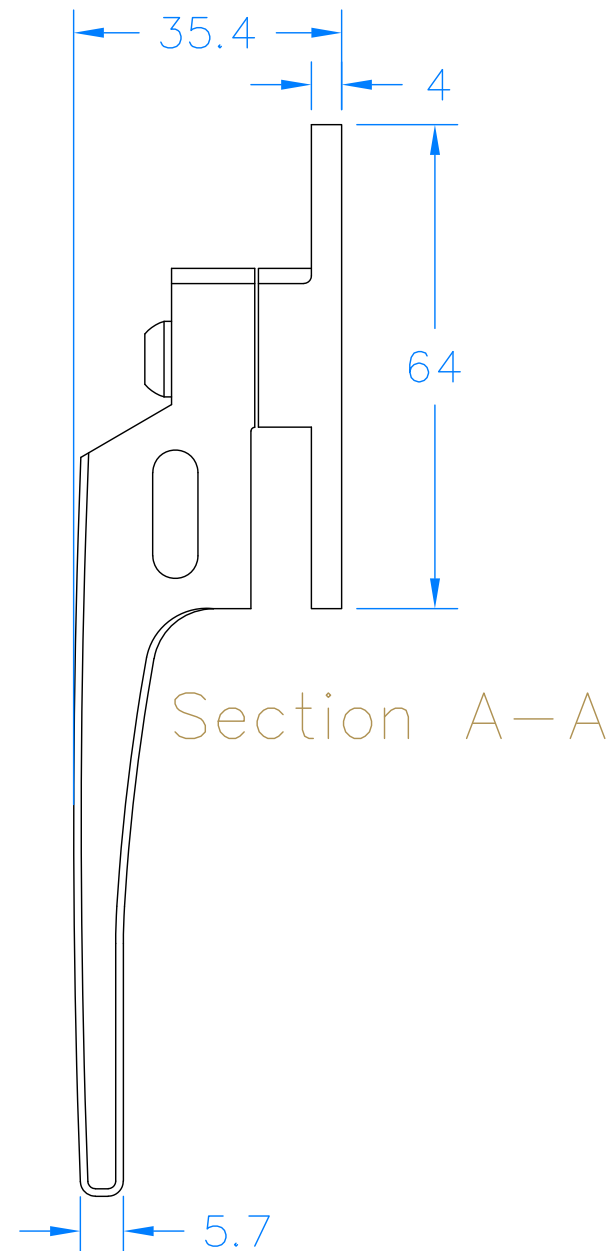
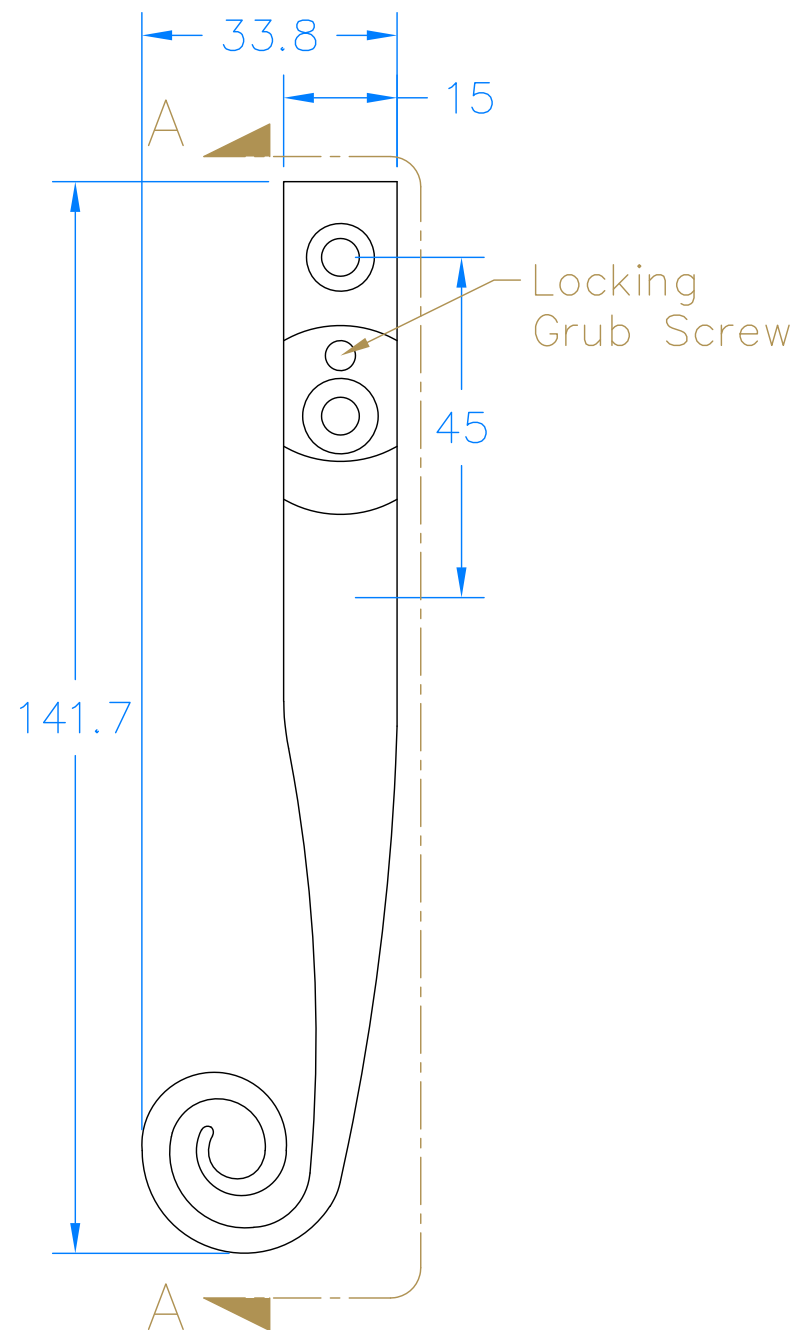


Drawing Revision History		
Revision	Description/ Change	Date
A	Release	22/2/22
B-RP	Screw change to Countersink	30/04/25



coastal-group.com
the future.

COASTAL

Part Number / Drawing Title:
CO8480 - Antique Curly Tail
Wedge Pattern Fastener

Product Range:
Window Handles

Material:

Additional Info: Left Hand Shown, Right Hand Opposite

Date Drawn: 22/02/2022

Drawn By: Philip Walklett

Part Number: CO8480

File Name: CO8480.dwg

Revision: A

Drawing Scale: 1:1@A3

Sheet Number: 1 of 1

THIRD ANGLE PROJECTION

This drawing and specification are the property of Coastal Specialist Ironmongery Ltd, they are issued in strict confidence and shall not be reproduced, copied or used without written permission. E&OE - All dimensions are specified in mm.