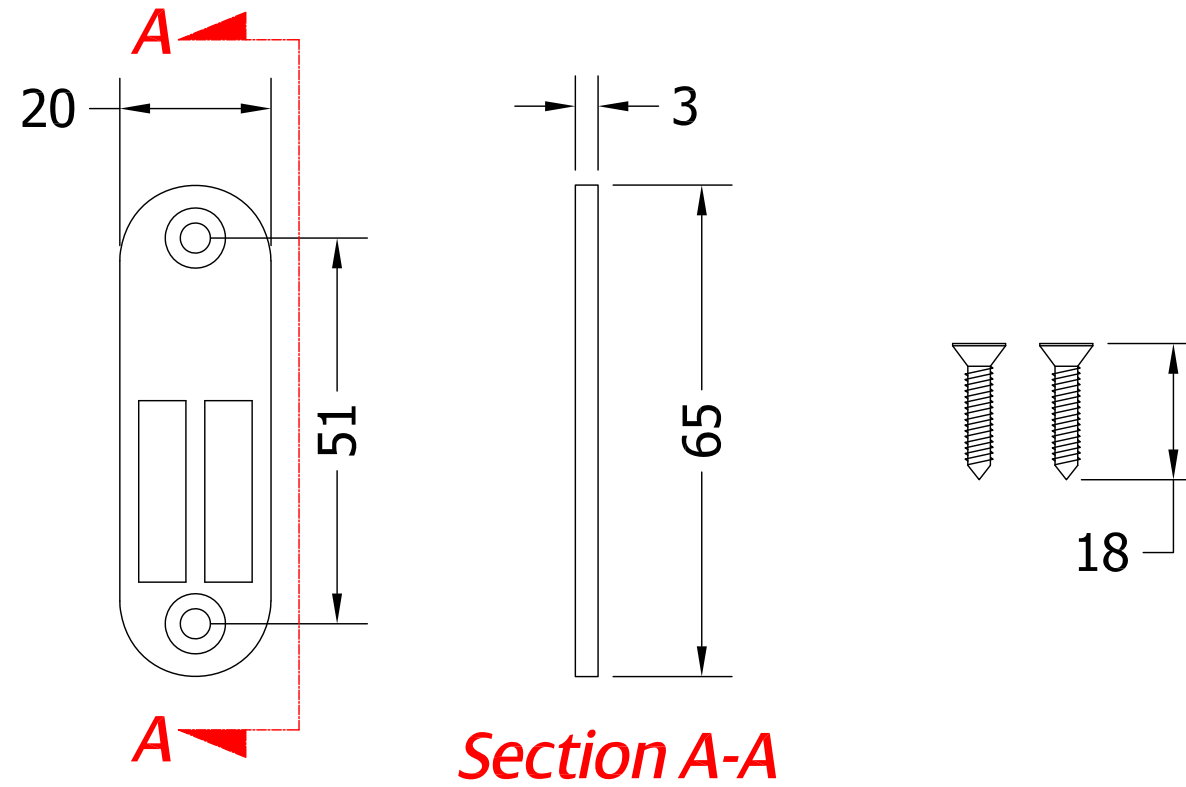


REVISIONS

Revision	Description	Drawn	Date
A	Release	PW	26/1/18



<small>Global House, Bojea Industrial Estate, Trethowel, St Austell, PL25 5RJ Telephone 01726 871725 - Fax 01726 871731 Email sales@coastal-group.com - Web www.coastal-group.com</small>	
Drawing Reference: Coastal Group	
Drawing Title: SST-MP-SSS Mortice Plate for SST79 Fastener	
Product Range: Window Fastener Accessories	
Additional Info: 304 Grade Stainless Steel Universal	
Date Drawn: 26/01/2018	
Drawn By: Phil Walklett	
Part Number: SST-MP-SSS	
File Name: CG-SST-MP-SSS.dwg	
Revision: A	
Drawing Scale: 1:1@A3	
Sheet Number: 1 of 1	
THIRD ANGLE PROJECTION 	This drawing and specification are the property of Coastal Group, they are issued in strict confidence and shall not be reproduced, copied or used without written permission.