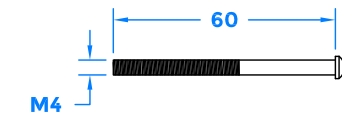
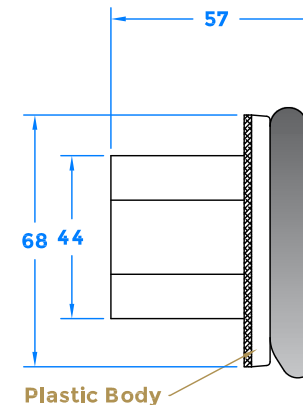
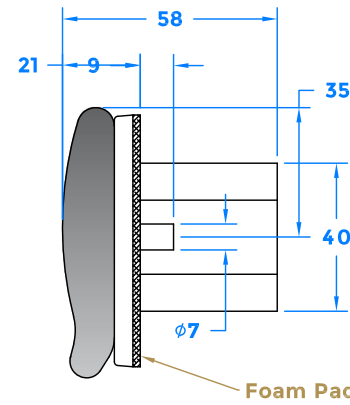
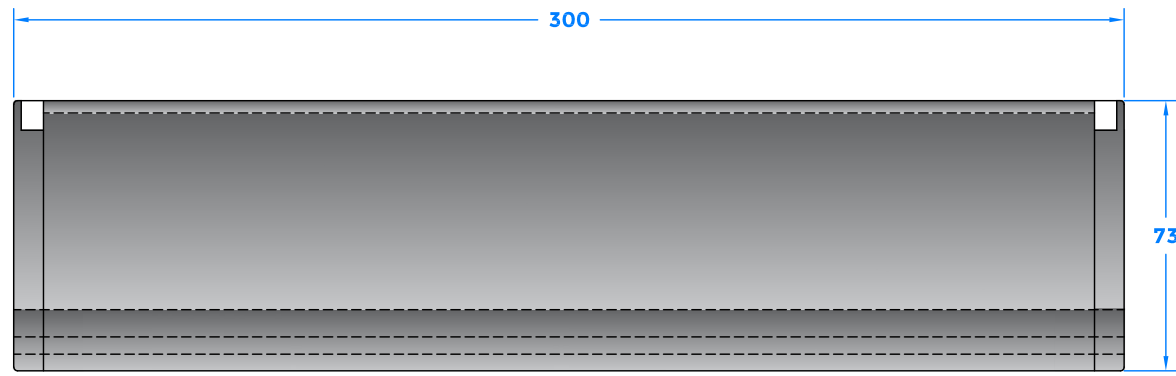
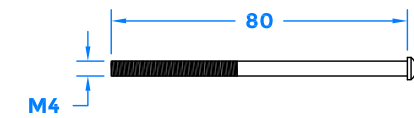


Drawing Revision History		
Revision	Description/Change	Date
A	Release	27/9/2023

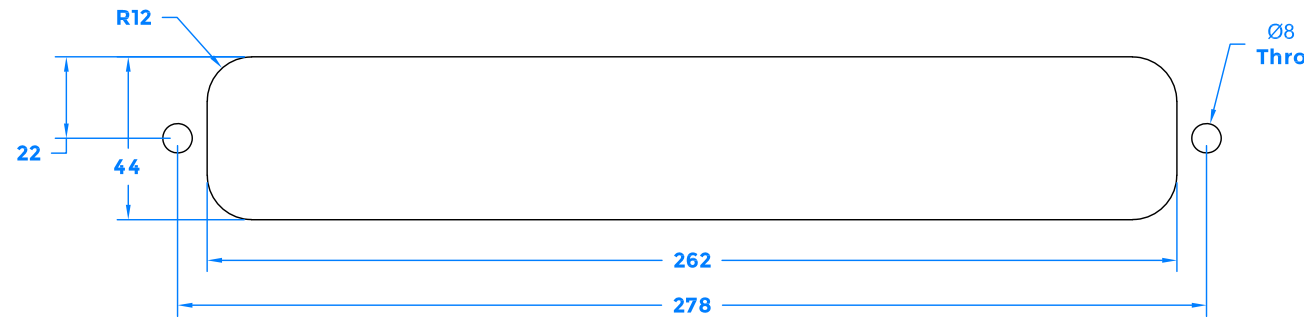


2 x M4 x 60 Fixing Bolts

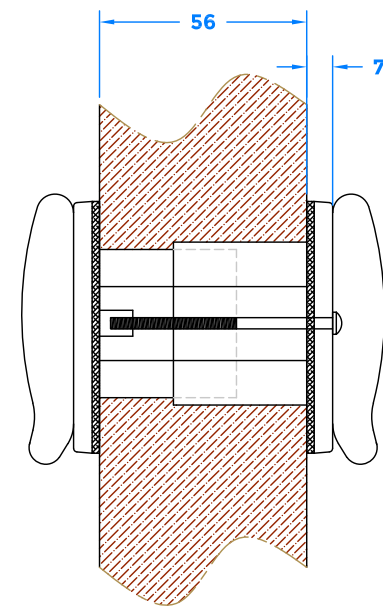


2 x M4 x 80 Fixing Bolts

## Surface Fixing

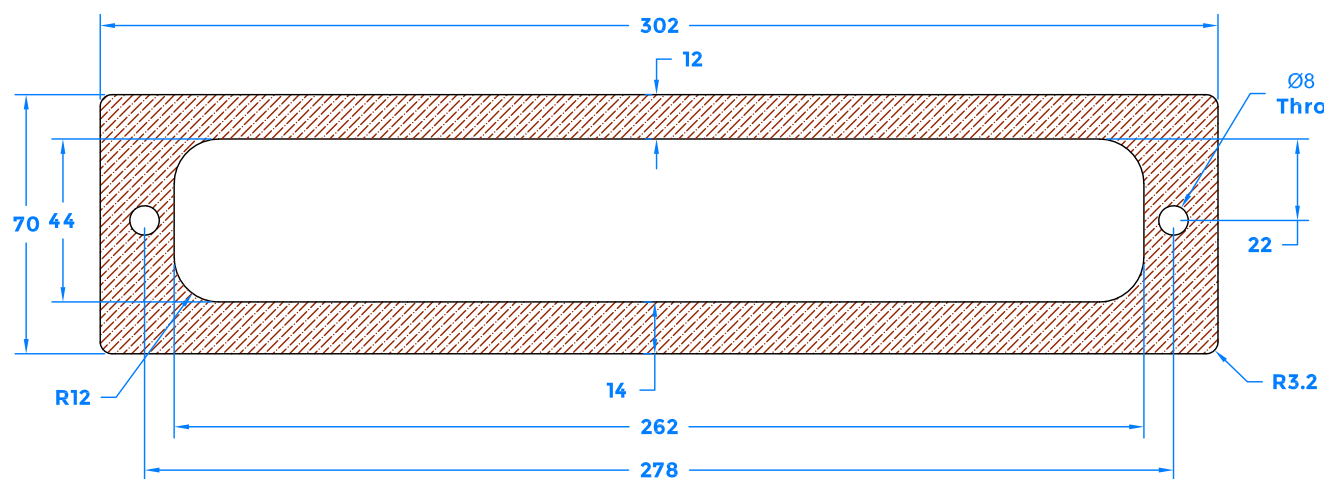


Surface Fixing Routing Prep

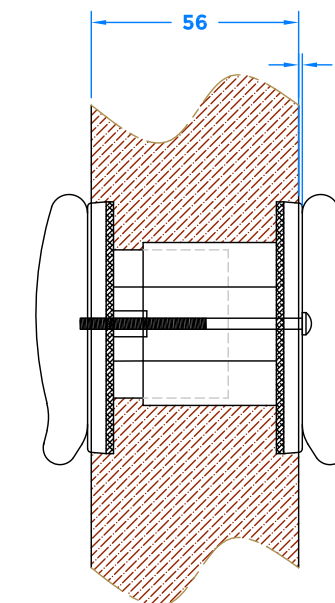
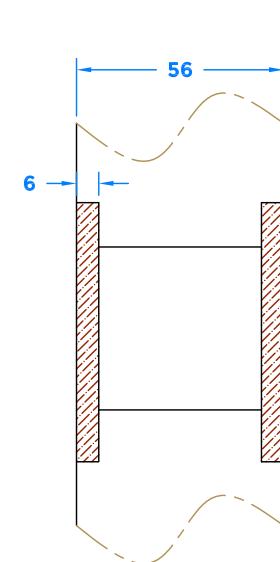


Surface Fixing

## Recessed Fixing



Recessed Fixing Routing Prep



Recessed Fixing



coastal-group.com  
*Shaping the future.*

**COASTAL**

Part Number / Drawing Title:  
**Jigsaw JR380  
Sleeve Type Letter Plate**

Product Range:  
**Door Furniture**

Material: 304 Stainless Steel

Additional Info:

Date Drawn: 27/09/2023  
Drawn By: Philip Walklett

Part Number: JR380-304  
File Name: JR380.dwg

Revision: A

Drawing Scale: Not to Scale

Sheet Number: 1 of 1

THIRD ANGLE PROJECTION

This drawing and specification are the property of Coastal Specialist Ironmongery Ltd, they are issued in strict confidence and shall not be reproduced, copied or used without written permission.  
E&OE - All dimensions are specified in mm.