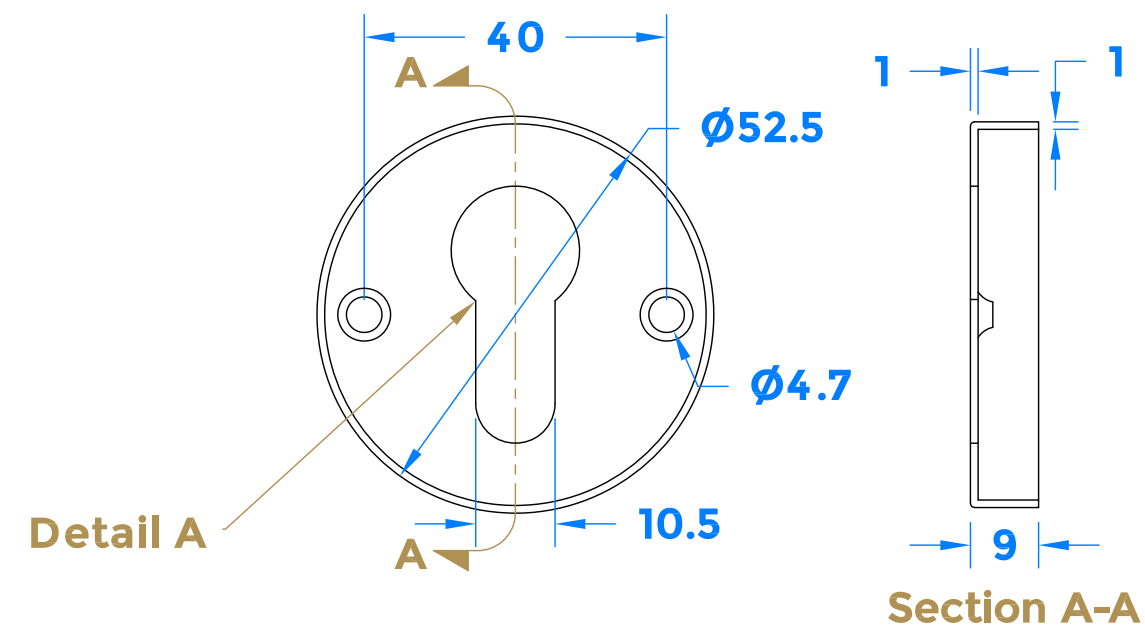
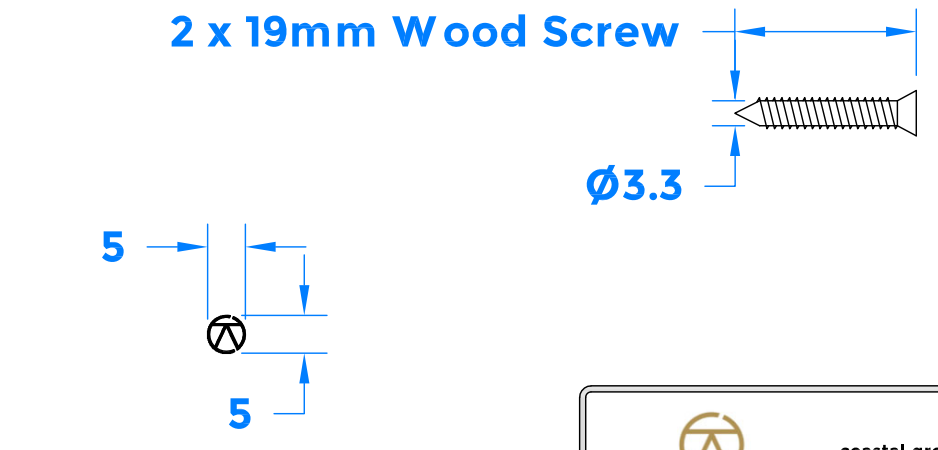
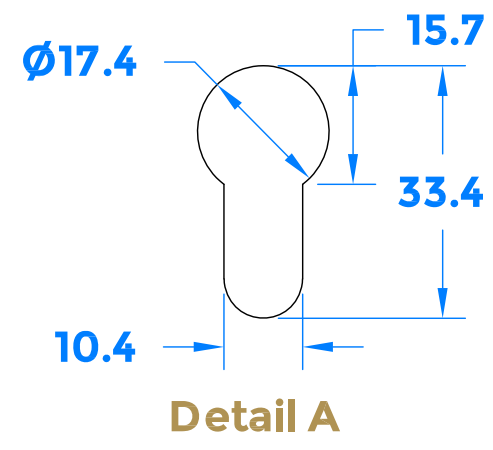
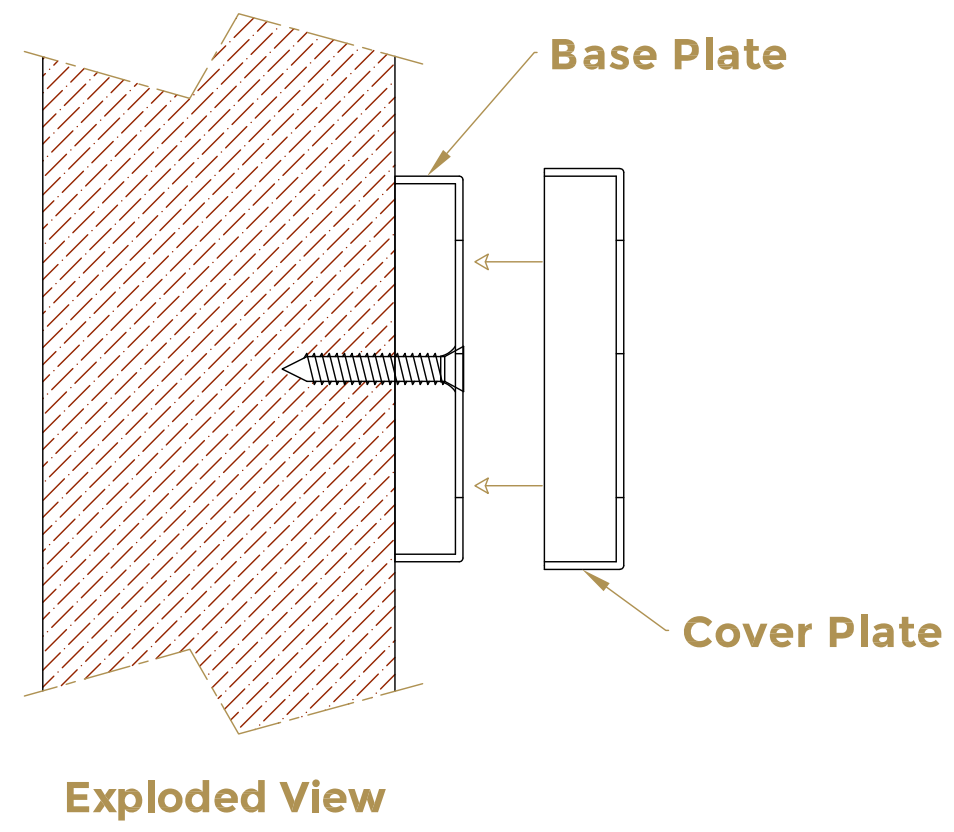
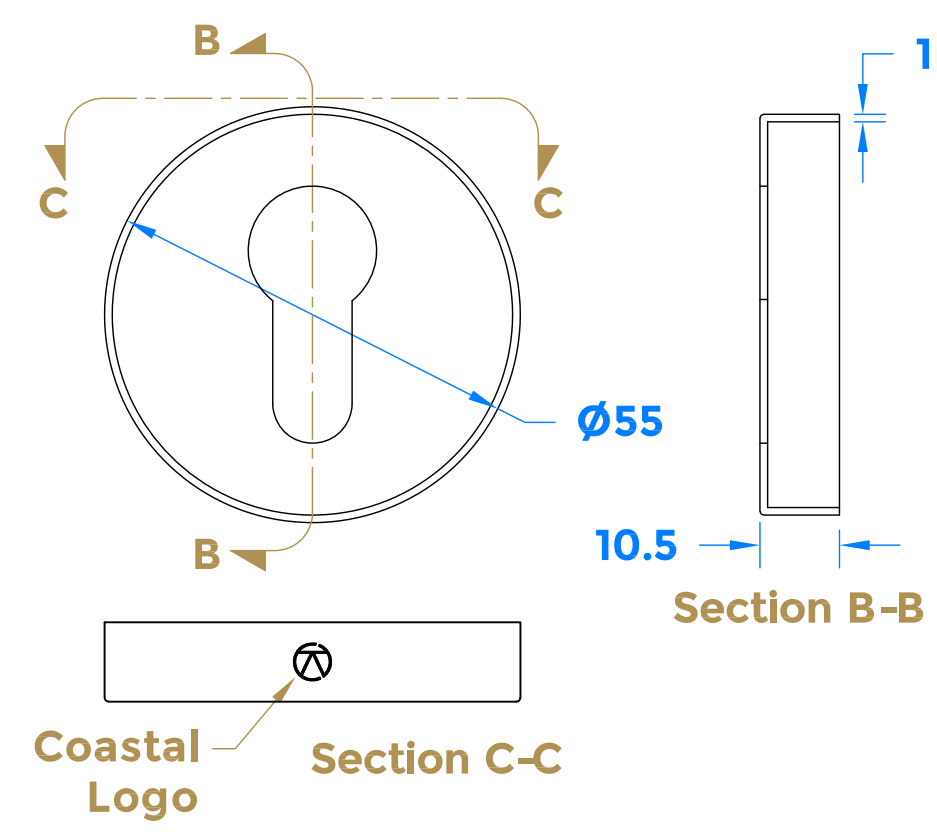


Drawing Revision History		
Revision	Description/Change	Date
A	Release	18/6/2019
B	Added logo to top of faceplate	3/11/2022

Base Plate



Cover Plate



Logo Detail

QTY	DESCRIPTION
1	EXTERNAL COVER PLATES
1	INTERNAL FIXING PLATES
2	WOOD SCREWS

COASTAL *Shaping the future.* coastal-group.com

Part Number / Drawing Title:
**KM055B
Round Escutcheon**

Product Range:
Door Furniture

Material: 316 Stainless Steel

Additional Info: Suits Any Door Thickness

Date Drawn: 03/11/2022

Drawn By: Phillip Walklett

Part Number: KM055B

File Name: KM055B.dwg

Revision: B

Drawing Scale: 1:1@ A3

Sheet Number: 1 of 1

THIRD ANGLE PROJECTION

This drawing and specification are the property of Coastal Specialist Ironmongery Ltd, they are issued in strict confidence and shall not be reproduced, copied or used without written permission.
EAOE - All dimensions are specified in mm.