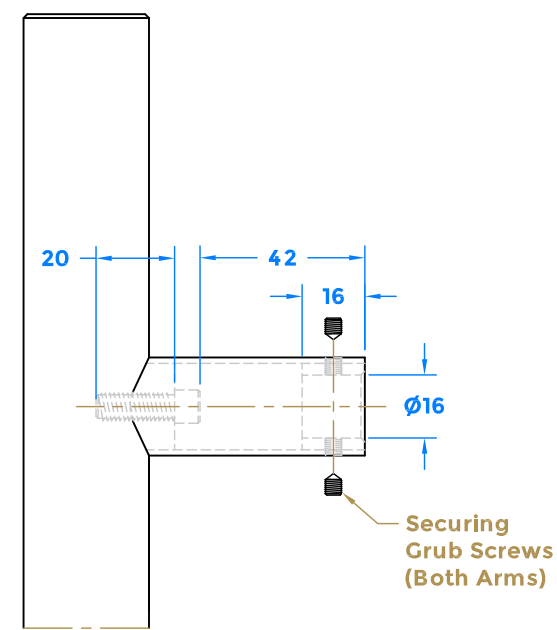
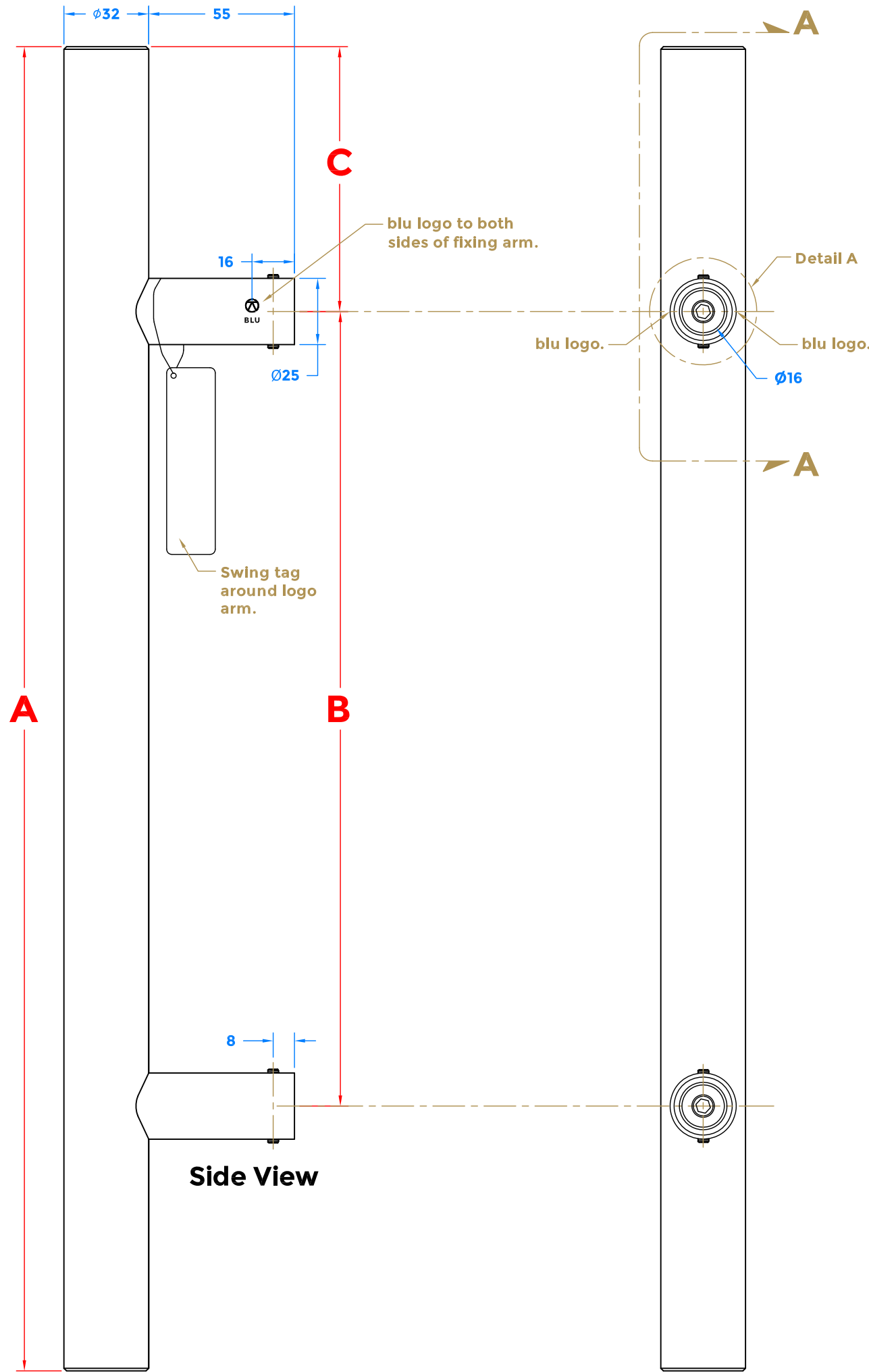
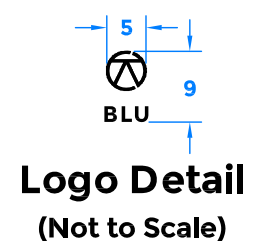


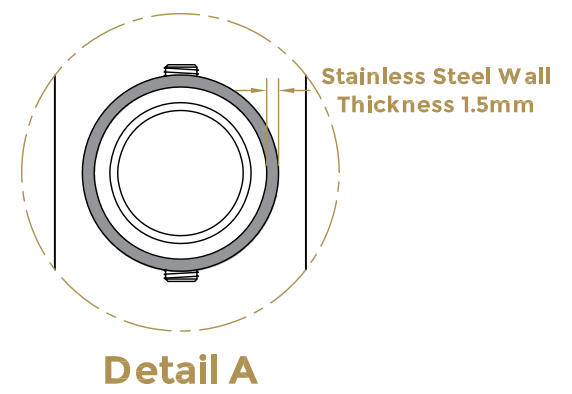
Drawing Revision History		
Revision	Description/Change	Date
A	Release	30/3/2022
B	Moved grub screw locations	9/1/2023
C	Updated Logo Positions	13/7/2023



Section A-A



Logo Detail
(Not to Scale)



Detail A

IMPORTANT NOTICE

When ordering please also order one of the following fixing kits based on your requirements.

- > Bolt Fix (Single Handle) - SKU:FX-UF-FK-BF
- > Back to Back Fix (2 Handles) - SKU:FX-UF-FK-BB
- > Secret Fix for Timber Doors (Single Handle) - SKU:FX-UF-FK-SF
- > Secret Fix for Aluminium Doors (Single Handle) - SKU:FX-10030-BLU

HAB2 PART NUMBER TABLE			
SKU	Length (A)	Centre (B)	Distance (C)
HAB2-400-UF	400mm	300mm	50mm
HAB2-600-UF	600mm	400mm	100mm
HAB2-900-UF	900mm	700mm	100mm
HAB2-1200-UF	1200mm	1000mm	100mm
HAB2-1500-UF	1500mm	1300mm	100mm
HAB2-1800-UF	1800mm	1600mm	100mm

Fixings Supplied

2 x Glass Protector Pads
Not Required on Timber Doors

2 x Metal Washers

2 x Nylon Washers

4 x Grub Screws
(Located in the handles)

3mm Allen Key (Grub Screws)

coastal-group.com
Shaping the future.

COASTAL

Part Number / Drawing Title:
HAB2 - Inline Round 'T' Bar Pull Handle - Universal Fix

Product Range:
Pull Handles

Material: 316 Stainless Steel

Additional Info: PLEASE SEE IMPORTANT NOTICE BOX

Date Drawn: 13/07/2023

Drawn By: Phillip Walklett

Part Number: HAB2-UF

File Name: HAB2-UF.dwg

Revision: C

Drawing Scale: Not to Scale

Sheet Number: 1 of 1

THIRD ANGLE PROJECTION

This drawing and specification are the property of Coastal Specialist Ironmongery Ltd, they are issued in strict confidence and shall not be reproduced, copied or used without written permission.
EAOE - All dimensions are specified in mm.