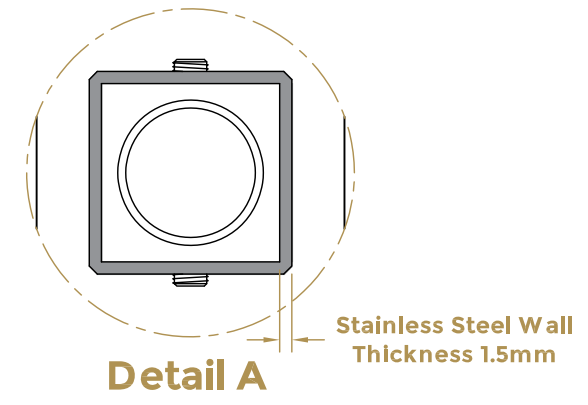
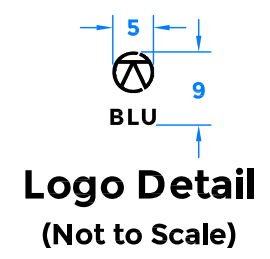
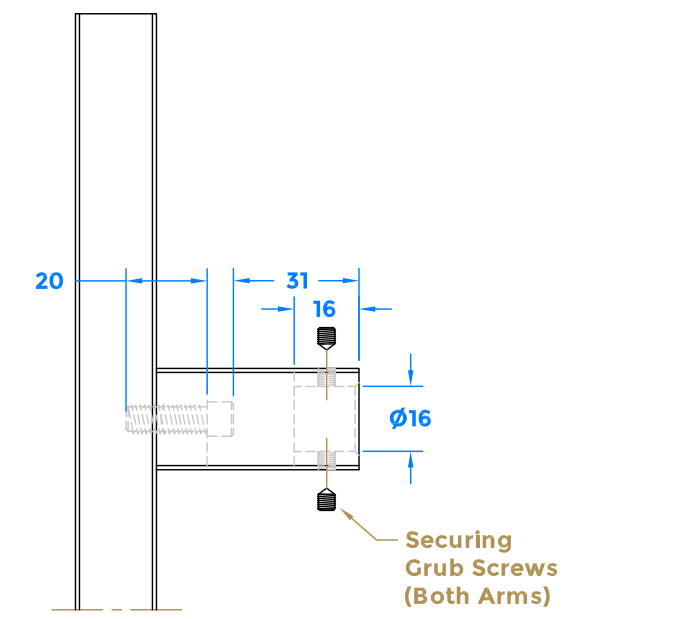
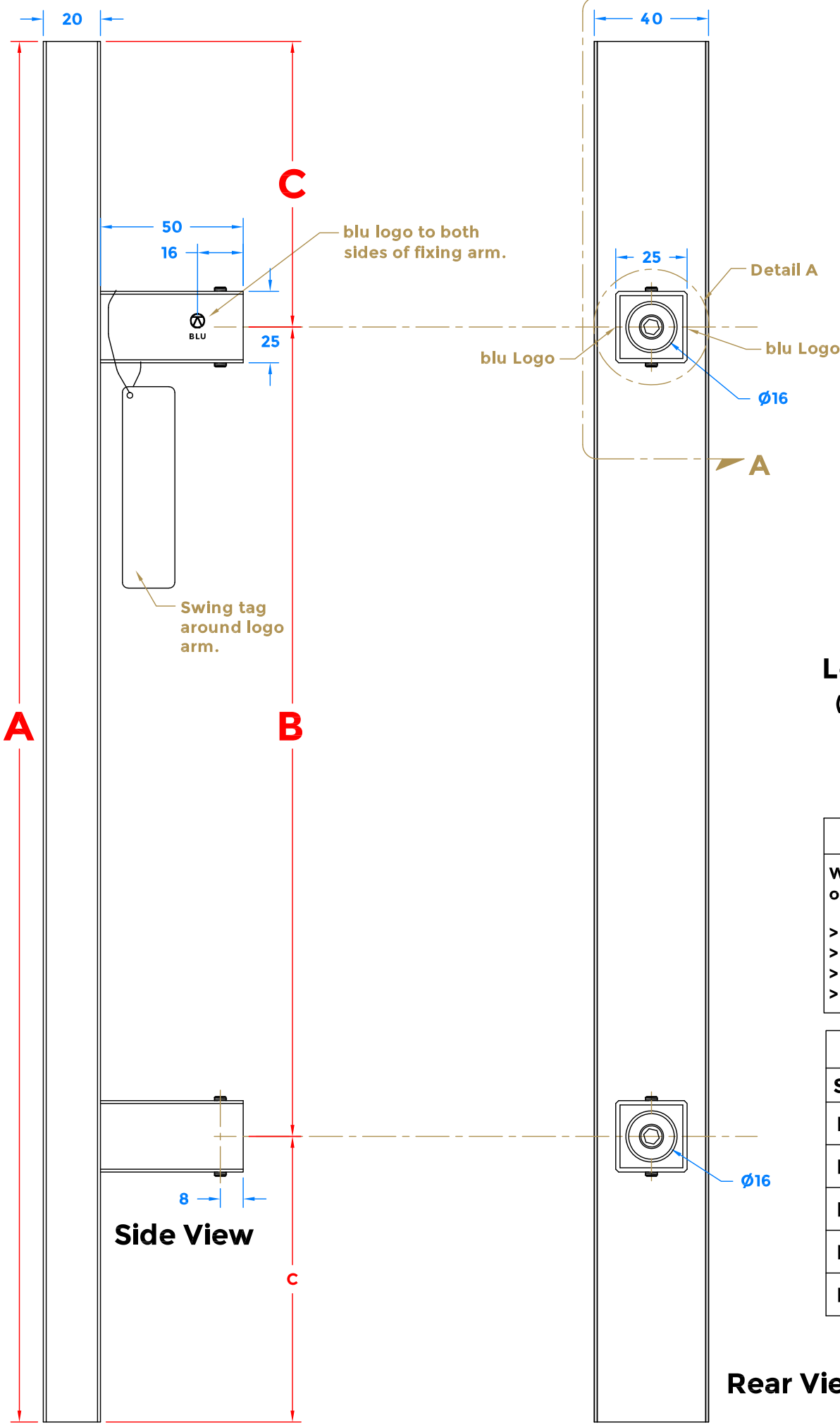
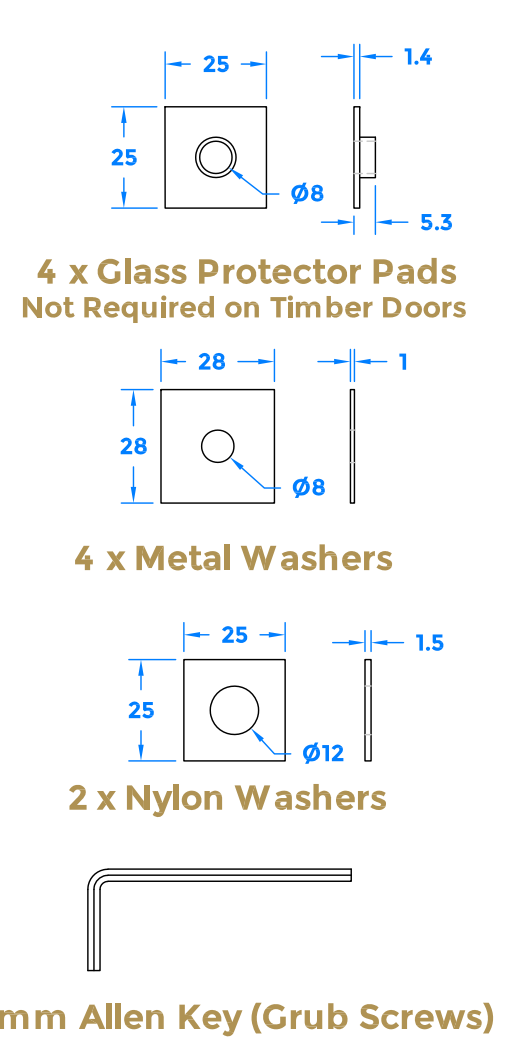


Drawing Revision History		
Revision	Description/Change	Date
A	Release	22/5/2022
B	Move grub screw locations	9/1/2023
C	Updated Logo Position	13/7/2023



Fixings Supplied



IMPORTANT NOTICE

When ordering please also order one of the following fixing kits based on your requirements.

- > Bolt Fix (Single Handle) - SKU:FX-UF-FK-BF
- > Back to Back Fix (2 Handles) - SKU:FX-UF-FK-BB
- > Secret Fix for Timber Doors (Single Handle) - SKU:FX-UF-FK-SF
- > Secret Fix for Aluminium Doors (Single Handle) - SKU:FX-10030-BLU

HAB15 PART NUMBER TABLE			
SKU	Length (A)	Centre (B)	Distance (C)
HAB15-400-UF	400mm	300mm	50mm
HAB15-900-UF	900mm	700mm	100mm
HAB15-1200-UF	1200mm	1000mm	100mm
HAB15-1500-UF	1500mm	1300mm	100mm
HAB15-1800-UF	1800mm	1600mm	100mm

coastal-group.com
Shaping the future.

COASTAL

Part Number / Drawing Title:
HAB15 - Inline Rectangular 'T' Bar Pull Handle - Universal Fix

Product Range:
Pull Handles

Material: 316 Stainless Steel

Additional Info:

Date Drawn: 13/07/2023
Drawn By: Phillip Walklett

Part Number: HAB15-UF
File Name: HAB15-UF.dwg

Revision: C

Drawing Scale: Not to Scale

Sheet Number: 1 of 1

THIRD ANGLE PROJECTION

This drawing and specification are the property of Coastal Specialist Ironmongery Ltd, they are issued in strict confidence and shall not be reproduced, copied or used without written permission.
EAOE - All dimensions are specified in mm.