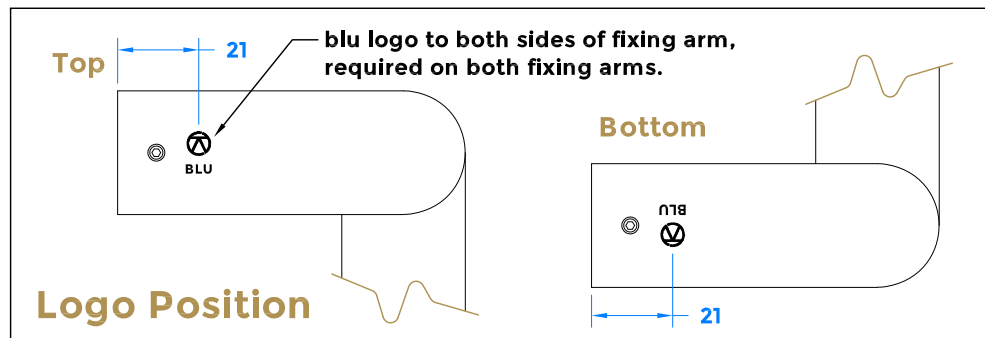
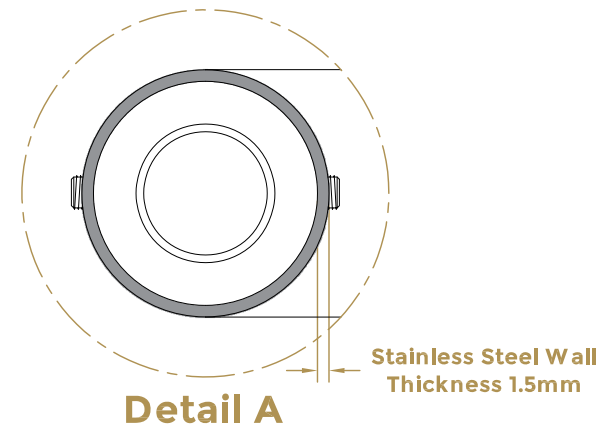
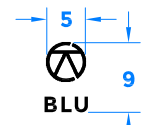
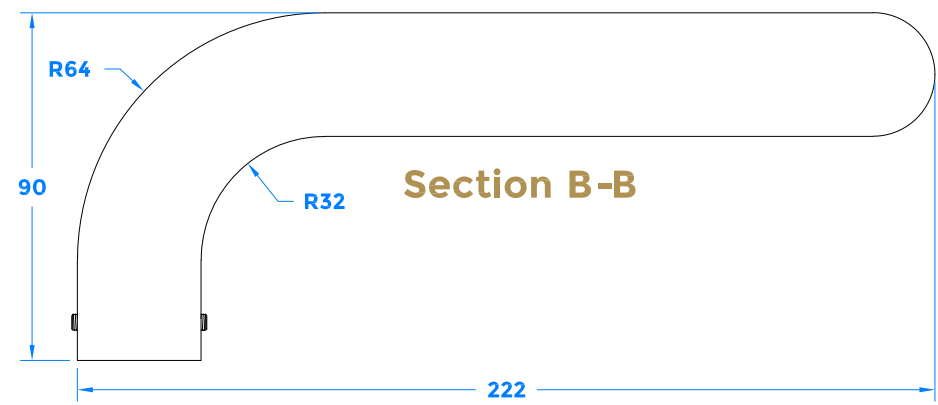
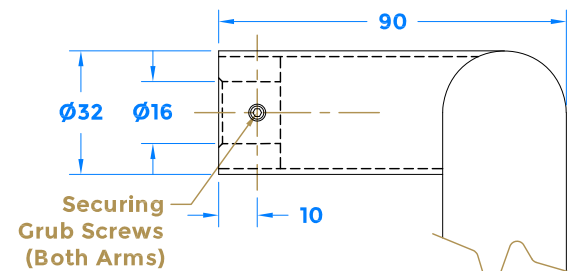
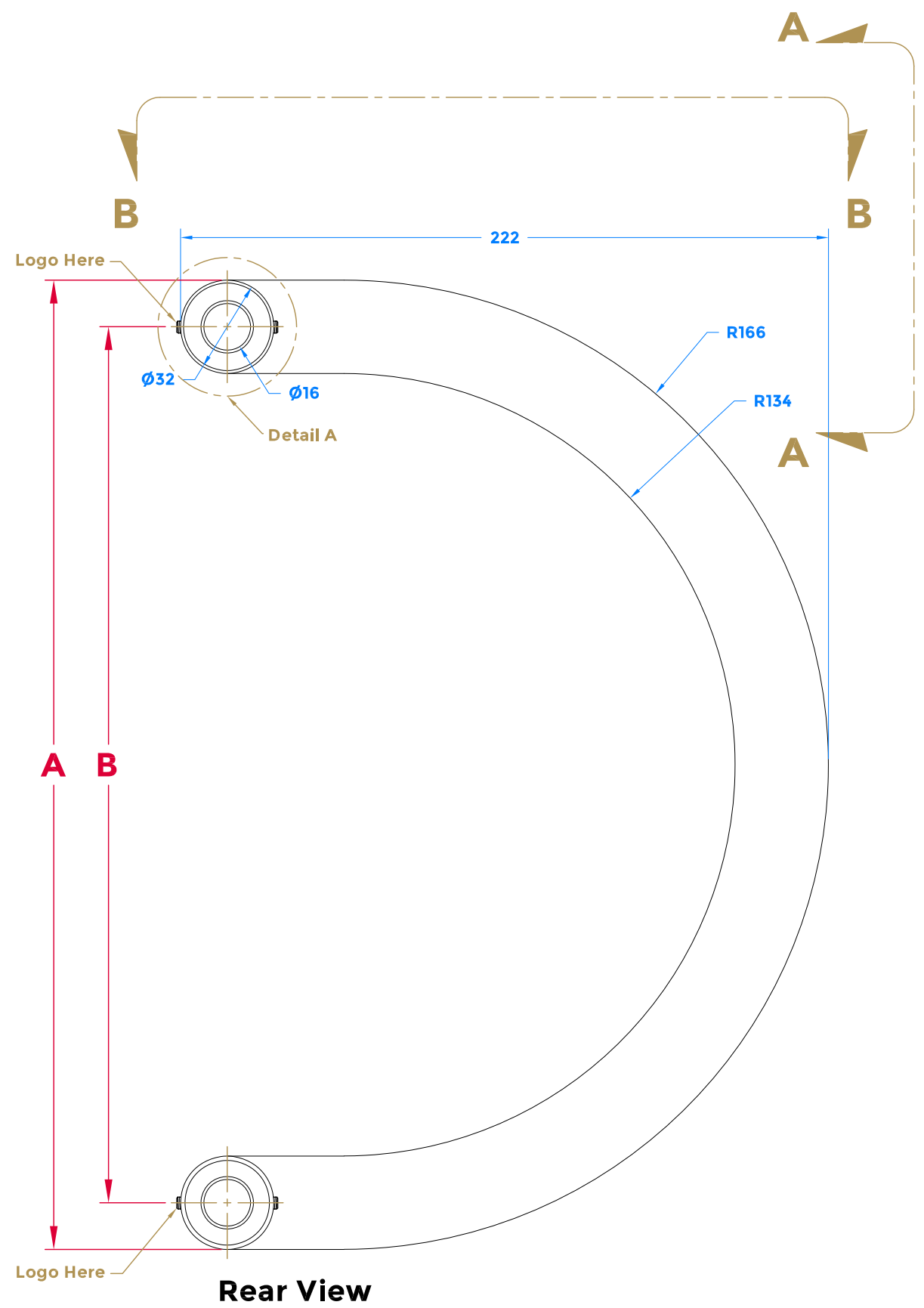


Drawing Revision History		
Revision	Description/Change	Date
A	Release	31/5/2022



IMPORTANT NOTICE

When ordering please also order one of the following fixing kits based on your requirements.

- > Bolt Fix (Single Handle) - SKU:FX-HAB-FK-BF
- > Back to Back Fix (2 Handles) - SKU:FX-HAB-FK-BB
- > Secret Fix for Timber Doors (Single Handle) - SKU:FX-HAB-FK-SF
- > Secret Fix for Aluminium Doors (Single Handle) - SKU:FX-10030-BLU

HAB20 PART NUMBER TABLE		
SKU	Length (A)	Centre (B)
HAB20-300-UF	332mm	300mm

Fixings Supplied

- 2 x Glass Protector Pads
Not Required on Timber Doors
- 2 x Metal Washers
- 2 x Nylon Washers
- 4 x Grub Screws
(Located in the handles)
- 3mm Allen Key (Grub Screws)

COASTAL *Shaping the future.*

coastal-group.com

Part Number / Drawing Title:
HAB20 - Commercial 'D' Pull Handle - Universal Fix

Product Range:
Pull Handles

Material: 316 Stainless Steel

Date Drawn: 31/05/2022

Drawn By: Phillip Walklett

Part Number: HAB20-UF

File Name: HAB20-UF.dwg

Revision: A

Drawing Scale: Not to Scale

Sheet Number: 1 of 1

THIRD ANGLE PROJECTION

This drawing and specification are the property of Coastal Specialist Ironmongery Ltd, they are issued in strict confidence and shall not be reproduced, copied or used without written permission.
EAOE - All dimensions are specified in mm.