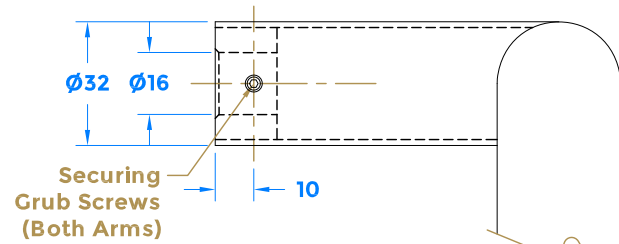
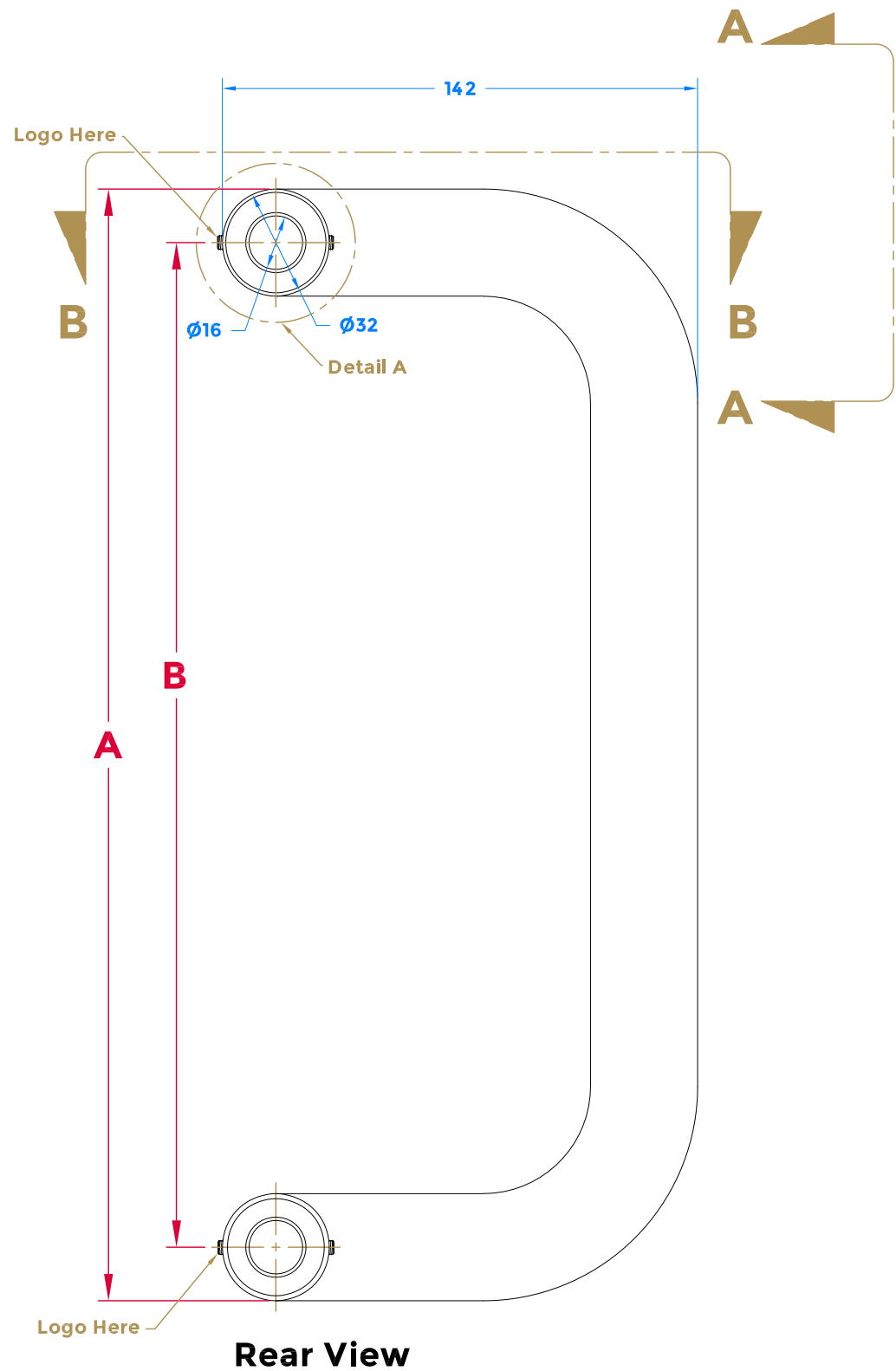
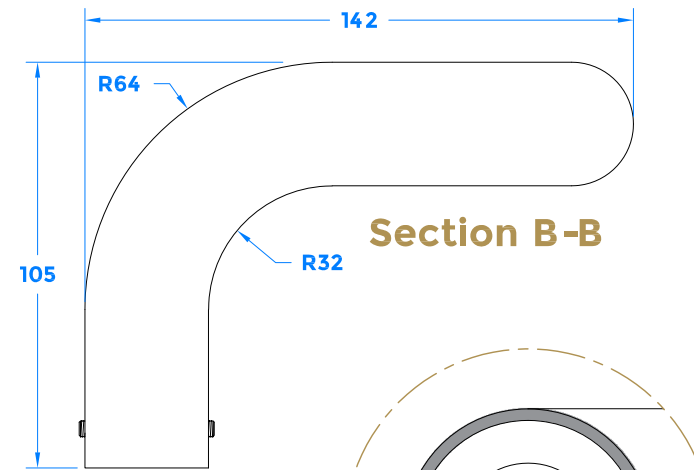


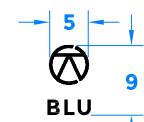
Drawing Revision History		
Revision	Description/Change	Date
A	Release	31/5/2022



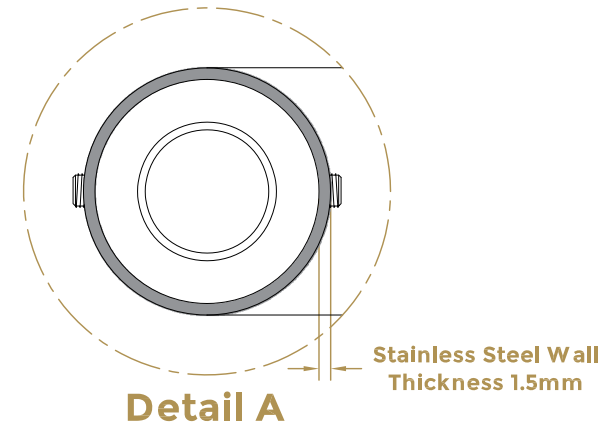
Section A-A



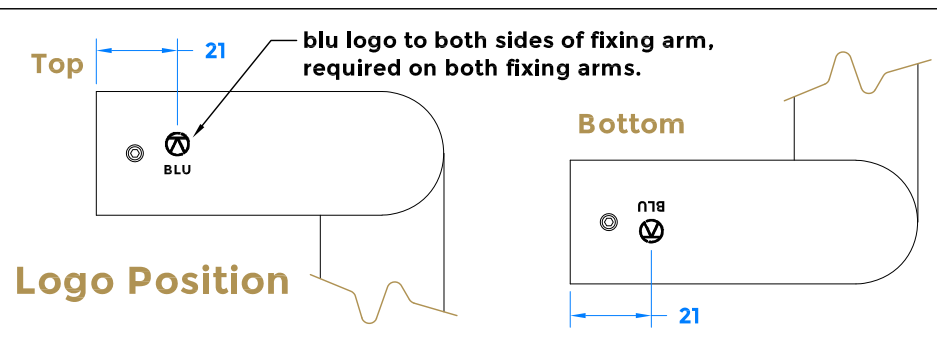
Section B-B



Logo Detail
(Not to Scale)



Detail A



IMPORTANT NOTICE

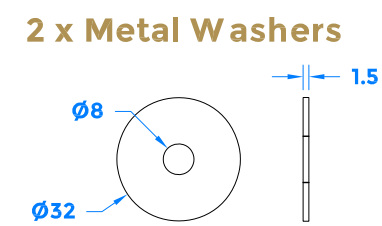
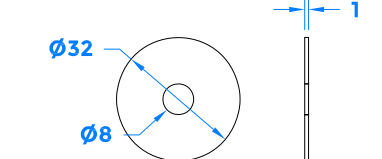
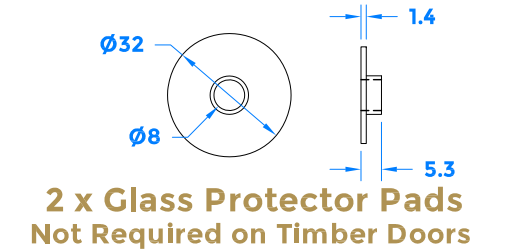
When ordering please also order one of the following fixing kits based on your requirements.

- > Bolt Fix (Single Handle) - SKU:FX-HAB-FK-BF
- > Back to Back Fix (2 Handles) - SKU:FX-HAB-FK-BB
- > Secret Fix for Timber Doors (Single Handle) - SKU:FX-HAB-FK-SF
- > Secret Fix for Aluminium Doors (Single Handle) - SKU:FX-10030-BLU

HAB21 PART NUMBER TABLE

SKU	Length (A)	Centre (B)
HAB21-300-UF	332mm	300mm
HAB21-600-UF	632mm	600mm

Fixings Supplied



4 x Grub Screws
(Located in the handles)

3mm Allen Key (Grub Screws)



COASTAL

coastal-group.com
Shaping the future.

Part Number /Drawing Title:
**HAB21 - Offset Commercial 'D'
Pull Handle - Universal Fix**

Product Range:
Pull Handles

Material: 316 Stainless Steel

Additional Info:

Date Drawn: 31/03/2022

Drawn By: Phillip Walklett

Part Number: HAB21-UF

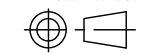
File Name: HAB21-UF.dwg

Revision: A

Drawing Scale: Not to Scale

Sheet Number: 1 of 1

THIRD ANGLE PROJECTION



This drawing and specification are the property of Coastal Specialist Ironmongery Ltd, they are issued in strict confidence and shall not be reproduced, copied or used without written permission.
E&OE - All dimensions are specified in mm.