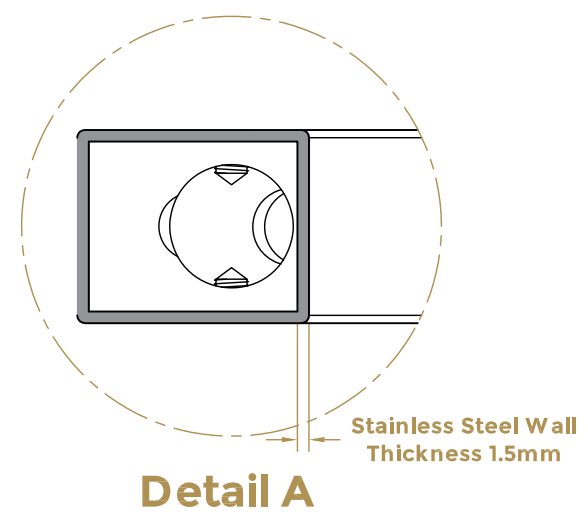
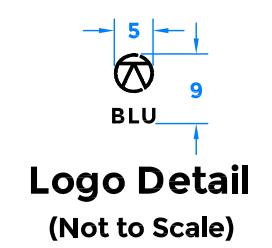
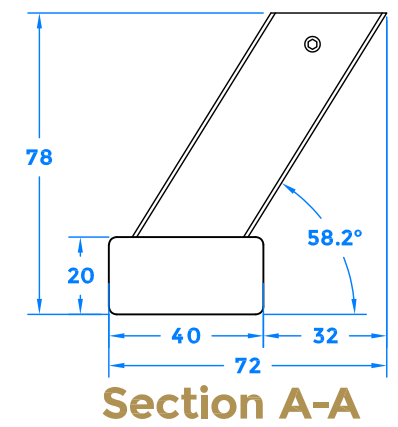
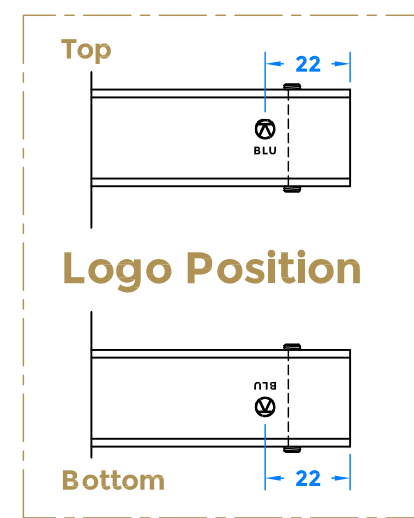
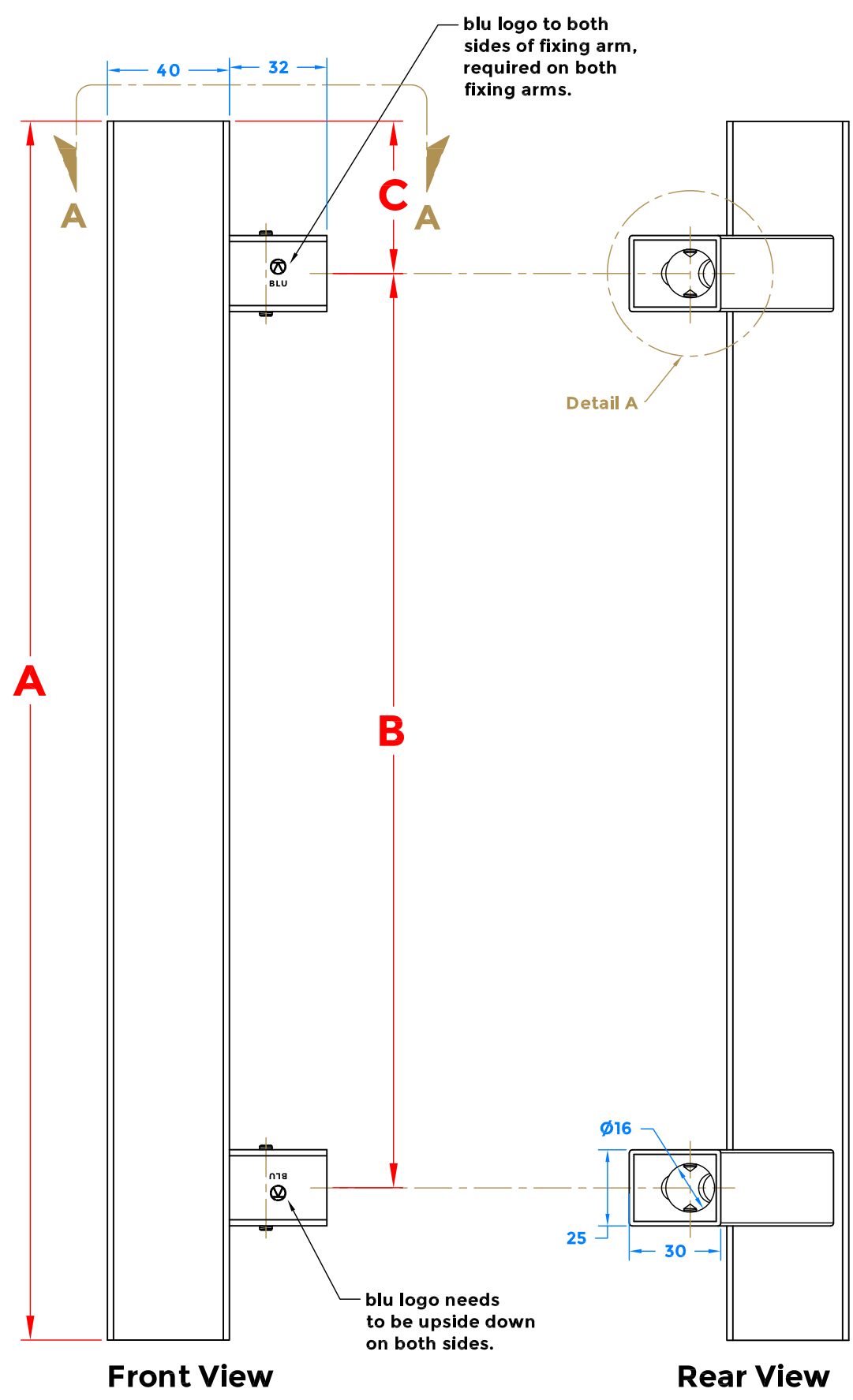


Drawing Revision History		
Revision	Description/Change	Date
A	Release	31/5/2022



### Fixings Supplied

2 x Glass Protector Pads  
Not Required on Timber Doors

4 x Grub Screws  
(Located in the handles)

3mm Allen Key (Grub Screws)

**IMPORTANT NOTICE**

When ordering please also order one of the following fixing kits based on your requirements.

- > Bolt Fix (Single Handle) - SKU:FX-UF-FK-BF
- > Back to Back Fix (2 Handles) - SKU:FX-UF-FK-BB
- > Secret Fix for Timber Doors (Single Handle) - SKU:FX-UF-FK-SF
- > Secret Fix for Aluminium Doors (Single Handle) - SKU:FX-10030-BLU

HAB77 PART NUMBER TABLE			
SKU	Length (A)	Centre (B)	Distance (C)
HAB77-400-UF	400mm	300mm	50mm

coastal-group.com  
*Shaping the future.*

**COASTAL**

Part Number / Drawing Title:  
**HAB77 - Offset Rectangular 'T-Bar' Pull Handle - Universal Fix**

Product Range:  
**Pull Handles**

Material: 316 Stainless Steel

Additional Info:

Date Drawn: 31/05/2022  
Drawn By: Phillip Walklett

Part Number: HAB77-UF  
File Name: HAB77-UF.dwg

Revision: A

Drawing Scale: Not to Scale

Sheet Number: 1 of 1

THIRD ANGLE PROJECTION

This drawing and specification are the property of Coastal Specialist Ironmongery Ltd, they are issued in strict confidence and shall not be reproduced, copied or used without written permission.  
EAOE - All dimensions are specified in mm.