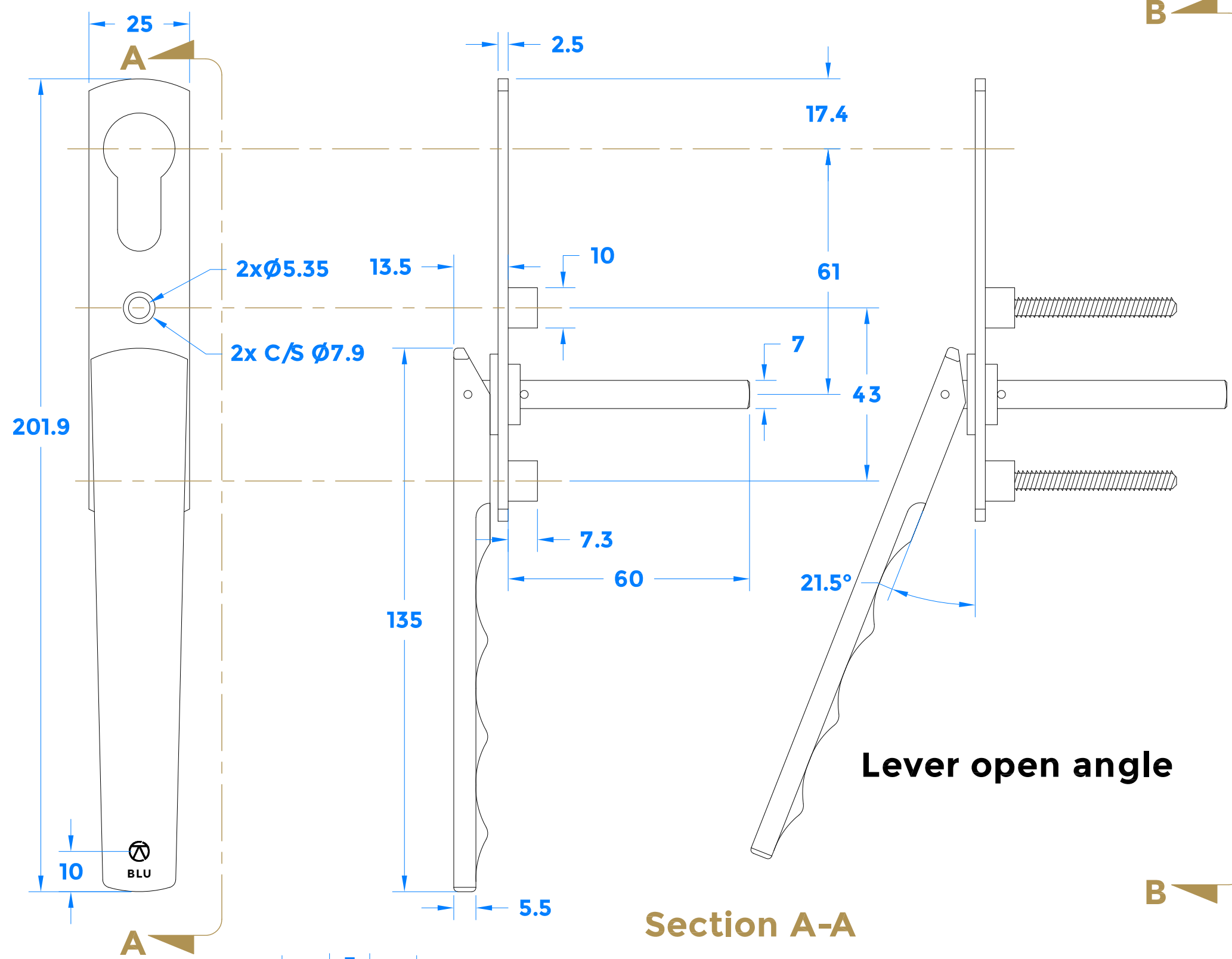
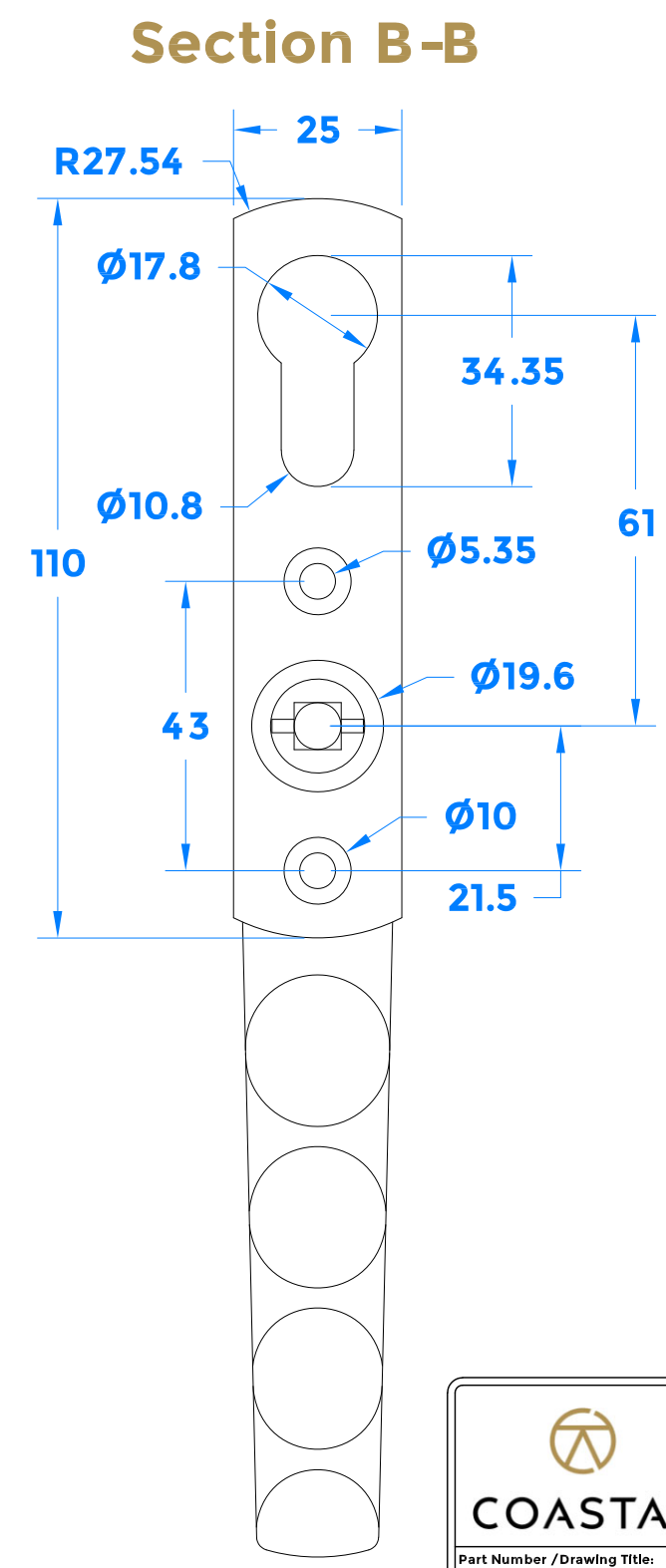


REVISION HISTORY		
Revision	Description	Date
A	Release	11/08/2021

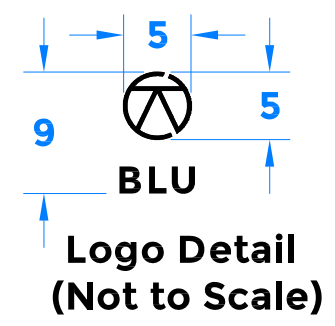


**Section A-A**

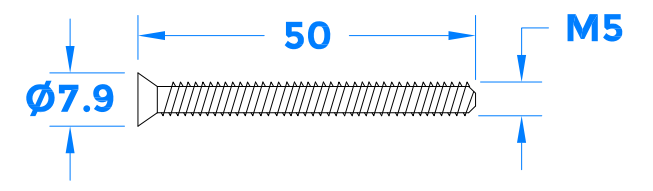


**Section B-B**


**Lever open angle**



**Logo Detail  
(Not to Scale)**



**2xM5x50 Fixing Bolts**



coastal-group.com  
*Shaping the future*

**COASTAL**

Part Number / Drawing Title:  
**KM115 - BiFold Door Lever  
with Euro Profile Cutout**

Product Range:  
**Door Handles**

Material: 316 Stainless Steel

Additional Info:

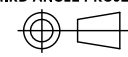
Date Drawn: 11/08/2021  
Drawn By: Philip Walklett

Part Number: KM115  
File Name: KM115.dwg

Revision: A

Drawing Scale: Not to Scale

Sheet Number: 1 of 1

THIRD ANGLE PROJECTION 

This drawing and specification are the property of Coastal Specialist Ironmongery Ltd, they are issued in strict confidence and shall not be reproduced, copied or used without written permission.  
EAOE - All dimensions are specified in mm.