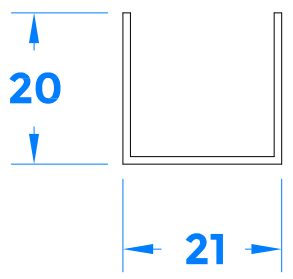
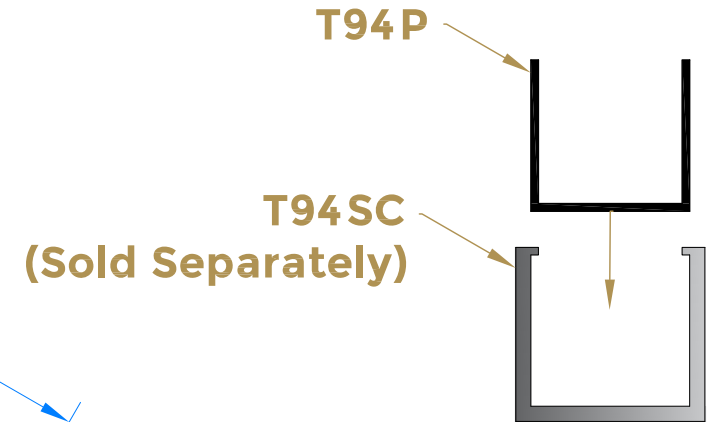
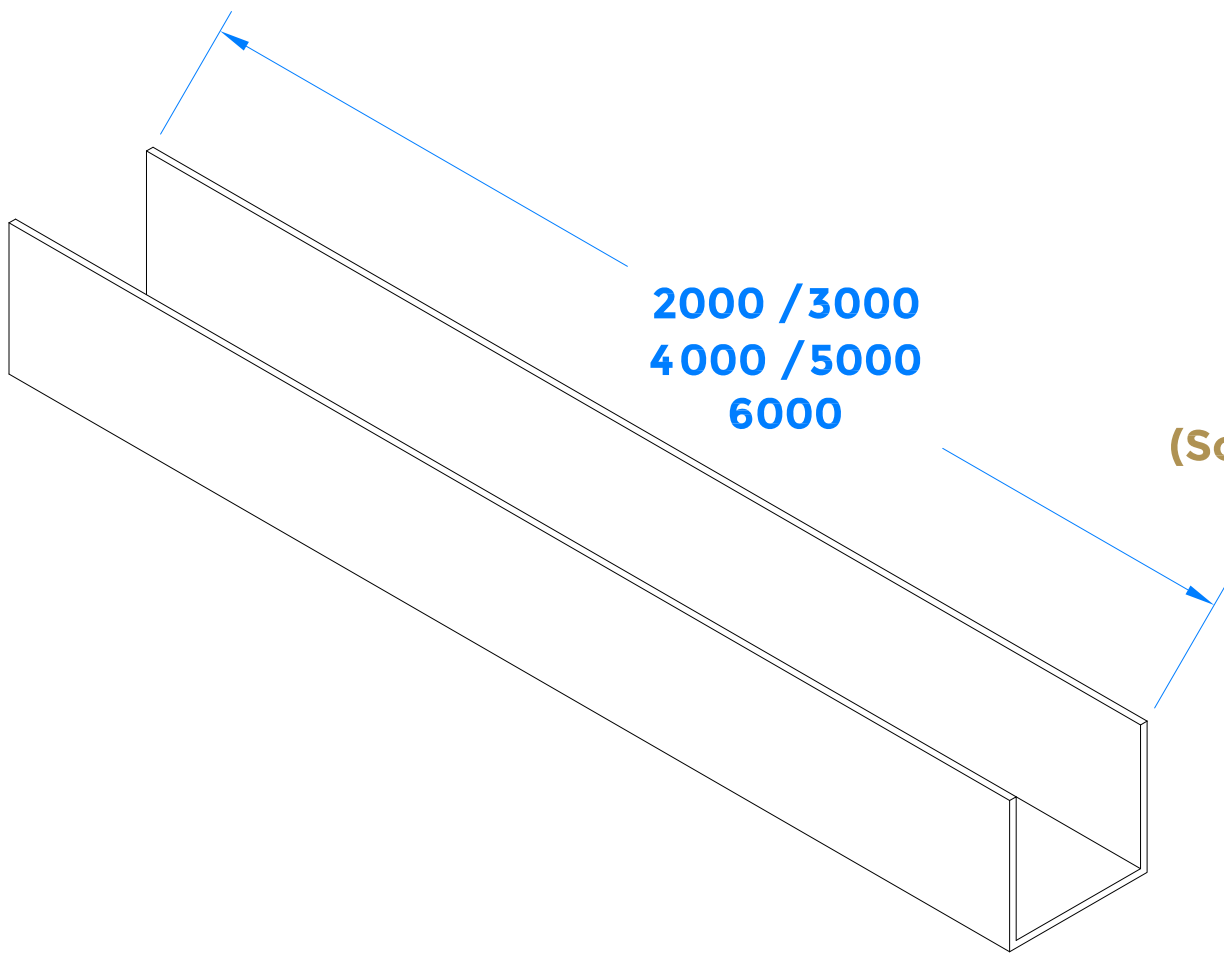



Drawing Revision History		
Revision	Description / Change	Date
A	Release	16/5/2022



# Isometric View



coastal-group.com  
*Shaping the future.*

**COASTAL**

Part Number / Drawing Title:  
**T94 P**  
**Polypropylene Guide Channel**

Product Range:  
**Sliding/Folding Door Systems**

Material: Polypropylene

Additional Info: Supplied in various lengths

Date Drawn: 16/05/2022

Drawn By: Phillip Walklett

Part Number: T94P

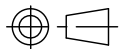
File Name: T94P.dwg

Revision: A

Drawing Scale: 1:1@ A4

Sheet Number: 1 of 1

**THIRD ANGLE PROJECTION**



This drawing and specification are the property of Coastal Specialist Ironmongery Ltd, they are issued in strict confidence and shall not be reproduced, copied or used without written permission.  
E&OE - All dimensions are specified in mm.