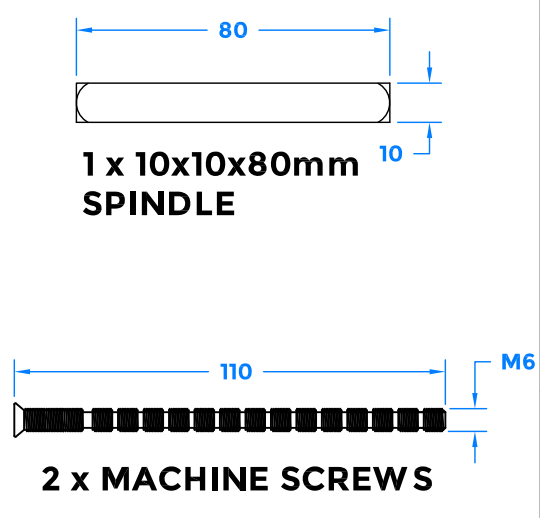
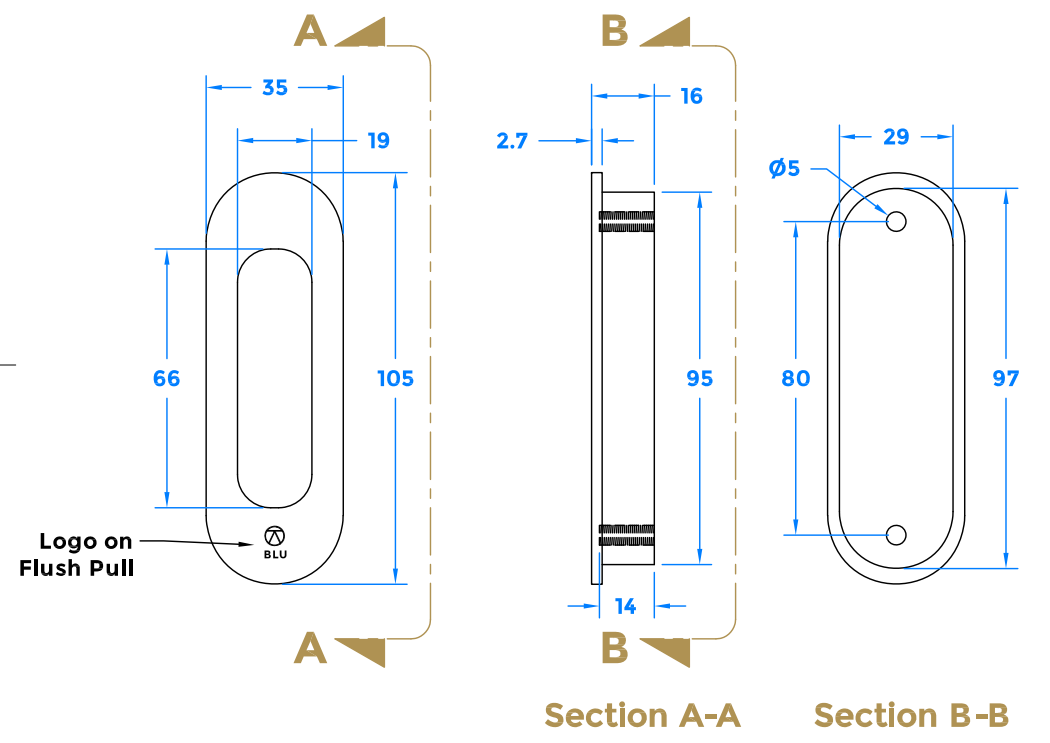
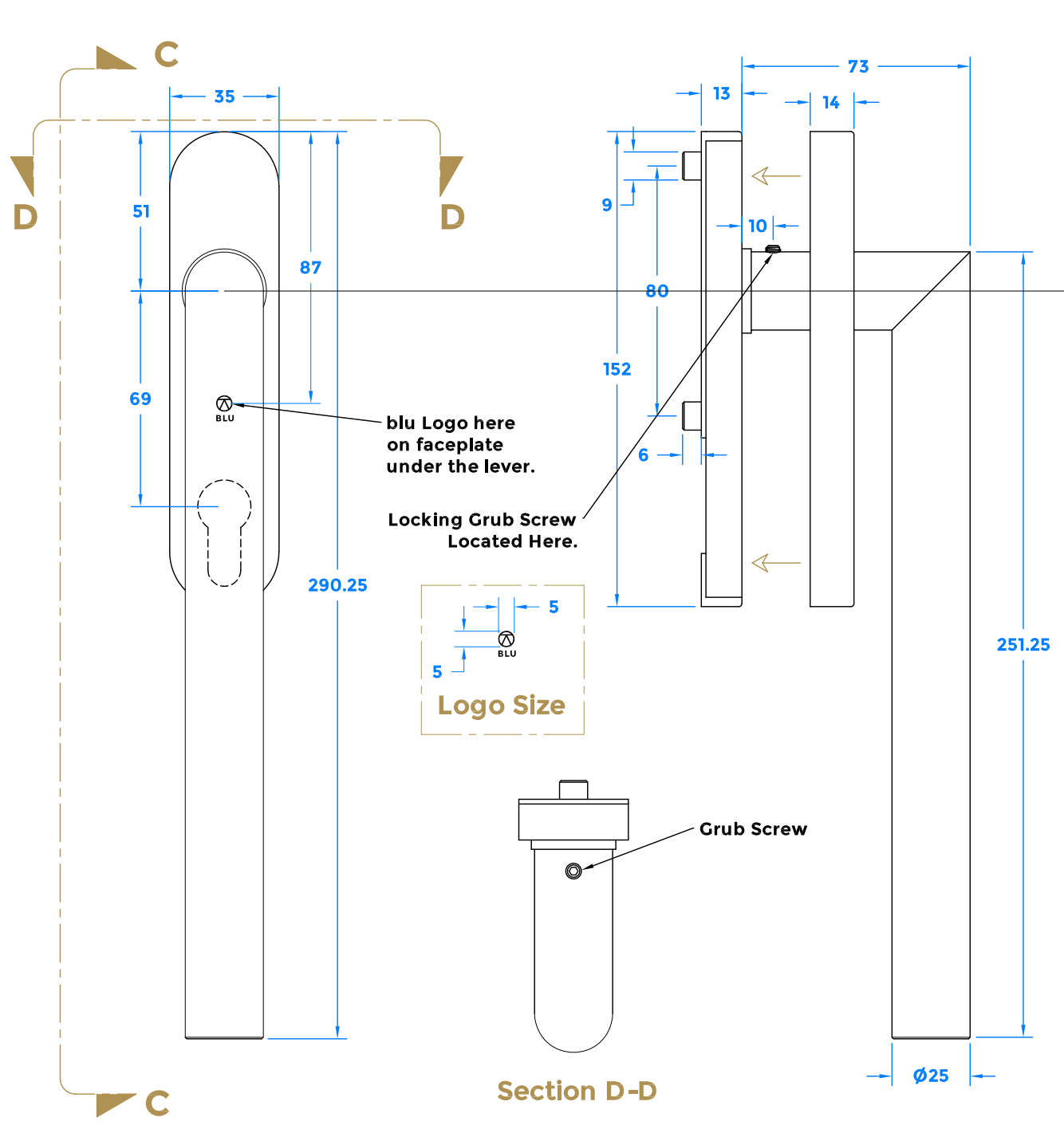


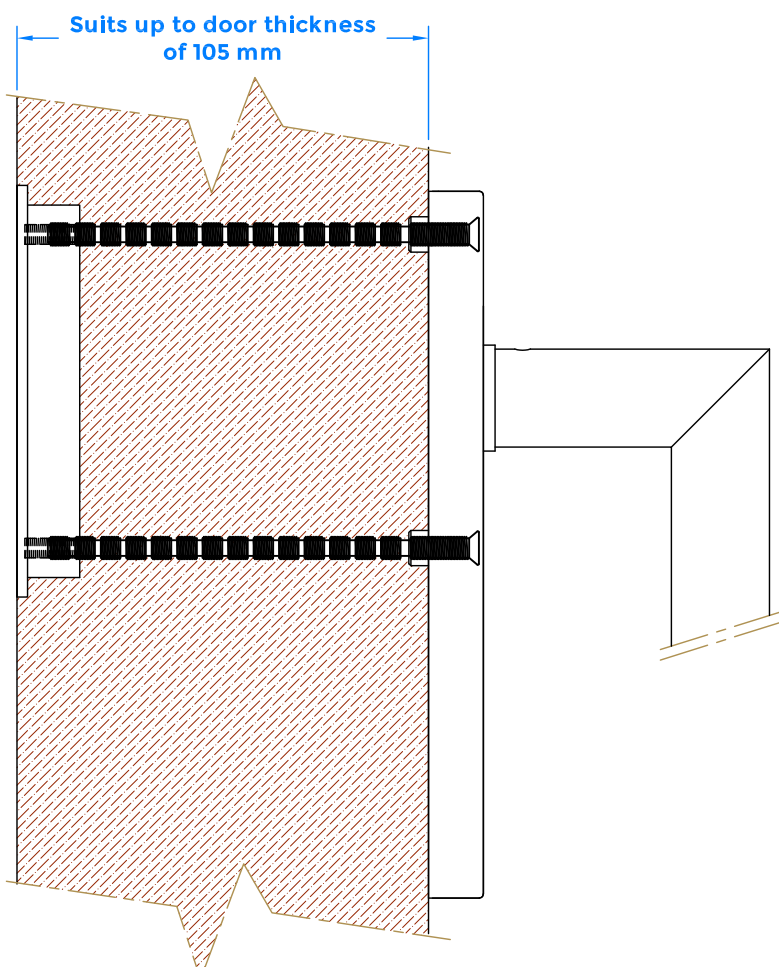
REVISION HISTORY		
Revision	Description	Date
A	Release	07/05/21
B	Altered bolt lengths from 70 to 110mm	16/11/2021
C	Moved logo position to backplate	23/5/2022

# INTERNAL LEVER HANDLE

# EXTERNAL FLUSH PULL



## Assembled View



QTY	DESCRIPTION
1	INTERNAL LEVER HANDLE
1	EXTERNAL FLUSH PULL
1	80 x 10mm SPINDLE
2	110mm M6 MACHINE SCREWS


 coastal-group.com  
*Shaping the future*  
**COASTAL**  
 Part Number /Drawing Title:  
**KM750B**  
**Lift & Slide Handle with Flush Pull**  
 Product Range:  
**Door Handles**  
 Material: 316 Stainless Steel  
 Additional Info: Universal - Non Handed  
 Date Drawn: 23/05/2022  
 Drawn By: Philip Walklett  
 Part Number: KM750B-SSS  
 File Name: KM750B-SSS.dwg  
 Revision: C  
 Drawing Scale: Not to Scale  
 Sheet Number: 1 of 1  
**THIRD ANGLE PROJECTION**

This drawing and specification are the property of Coastal Specialist Ironmongery Ltd. they are issued in strict confidence and shall not be reproduced, copied or used without written permission. E&OE - All dimensions are specified in mm.