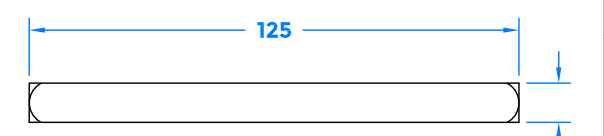
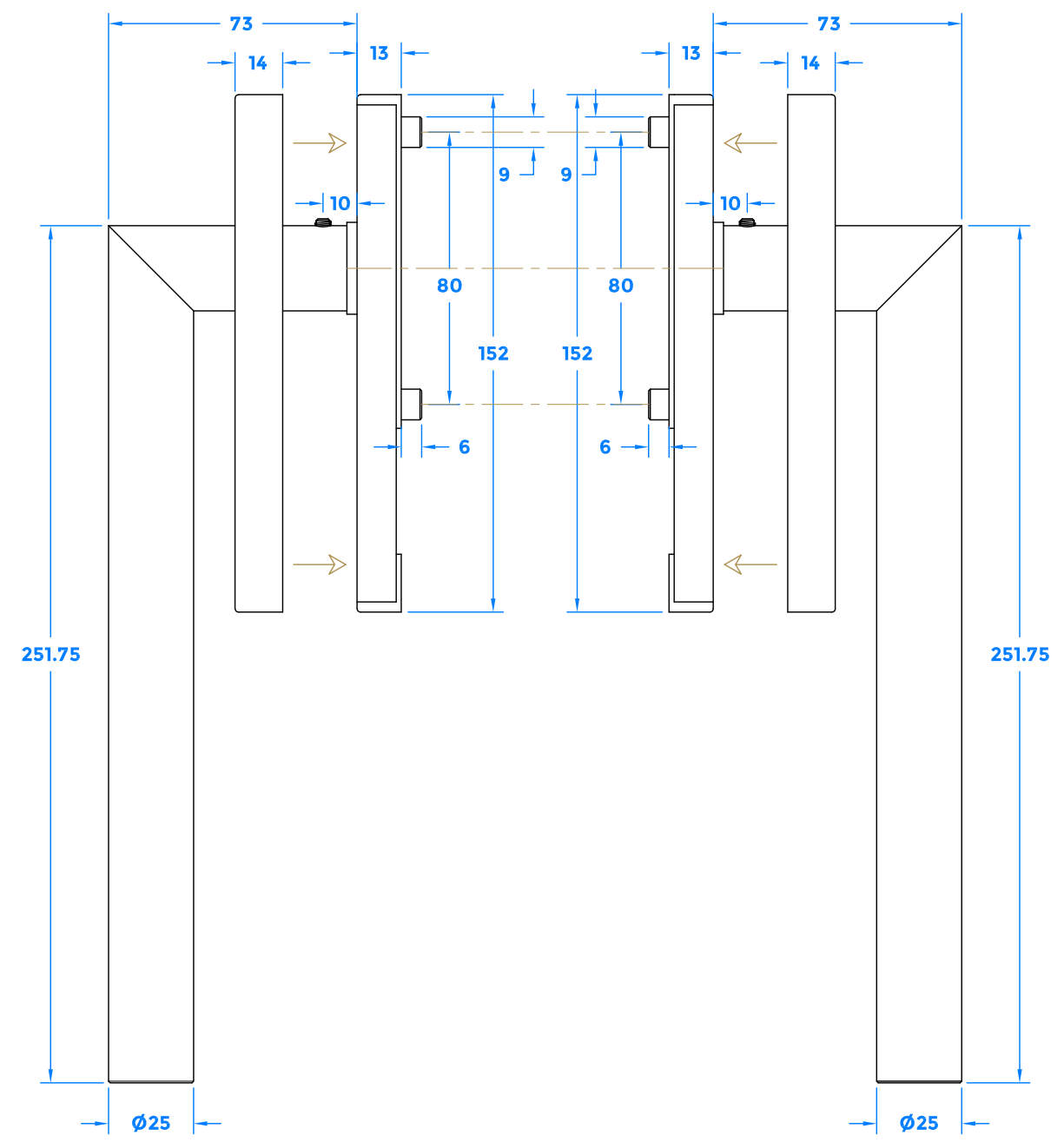
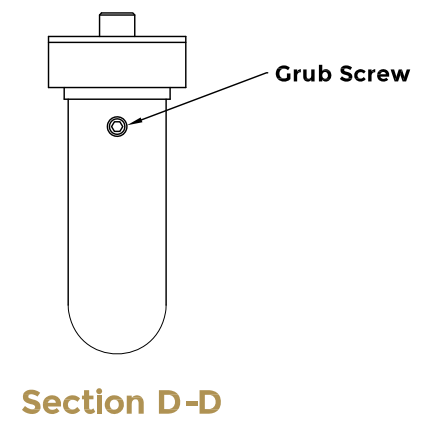
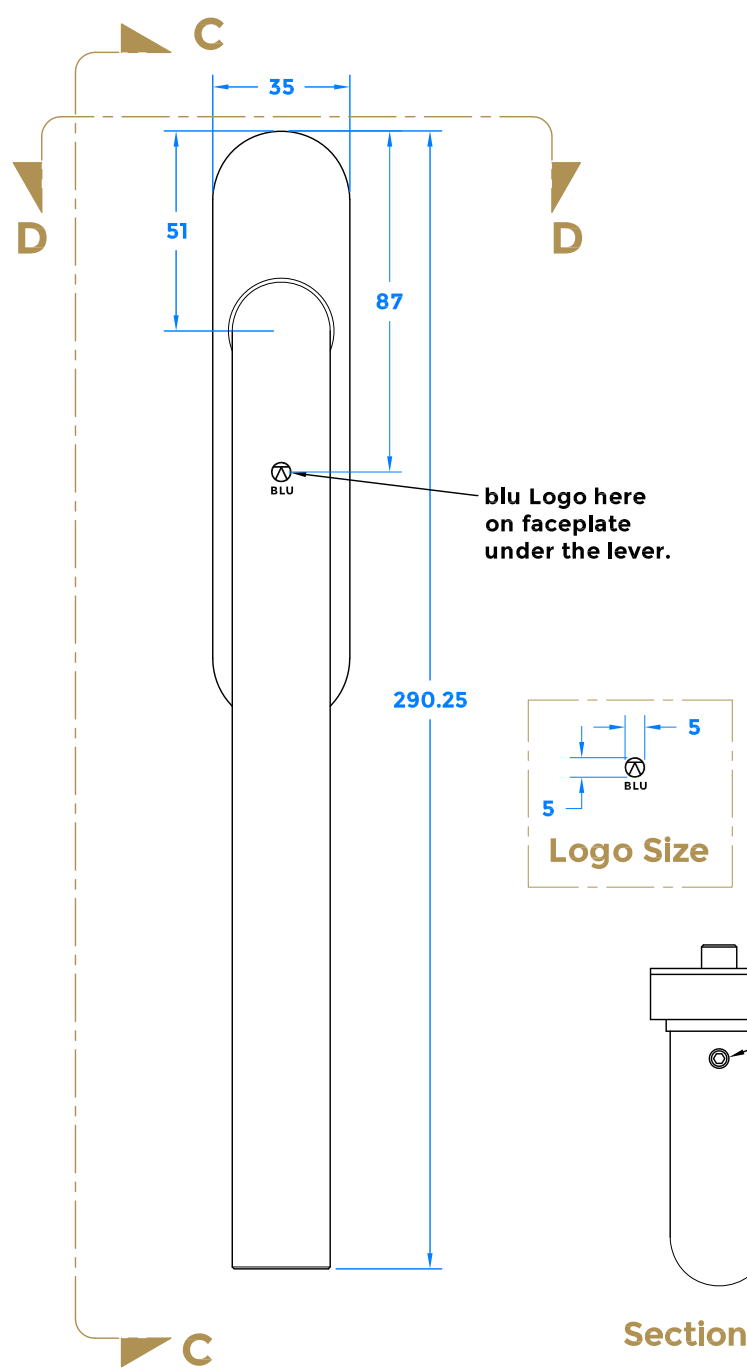
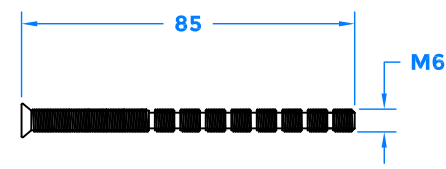


REVISION HISTORY		
Revision	Description	Date
A	Release	07/05/21
B	Moved logo position to backplate	23/5/2022

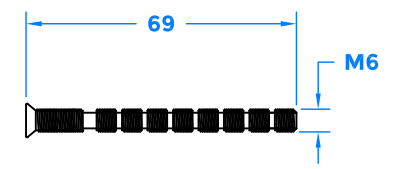
BACK TO BACK LEVER HANDLE (No Euro Profile Cut outs)



1 x 10x10x125mm SPINDLE



2 x MACHINE SCREWS SUITS 67mm THICK DOORS



2 x MACHINE SCREWS SUITS 51mm THICK DOORS

QTY	DESCRIPTION
1	INTERNAL LEVER HANDLE
1	EXTERNAL FLUSH PULL
1	125 x 10mm SPINDLE
2	69mm M6 MACHINE SCREWS
2	85mm M6 MACHINE SCREWS



Part Number /Drawing Title:
KM790 - Back to Back Lift & Slide Handles (Blank Plates)

Product Range:	
Door Handles	
Material:	316 Stainless Steel
Additional Info:	Universal - Non Handed
Date Drawn:	23/05/2022
Drawn By:	Philip Walklett
Part Number:	KM790-SSS
File Name:	KM790-SSS.dwg
Revision:	C
Drawing Scale:	Not to Scale
Sheet Number:	1 of 1

THIRD ANGLE PROJECTION

This drawing and specification are the property of Coastal Specialist Ironmongery Ltd. they are issued in strict confidence and shall not be reproduced, copied or used without written permission.
E&OE - All dimensions are specified in mm.