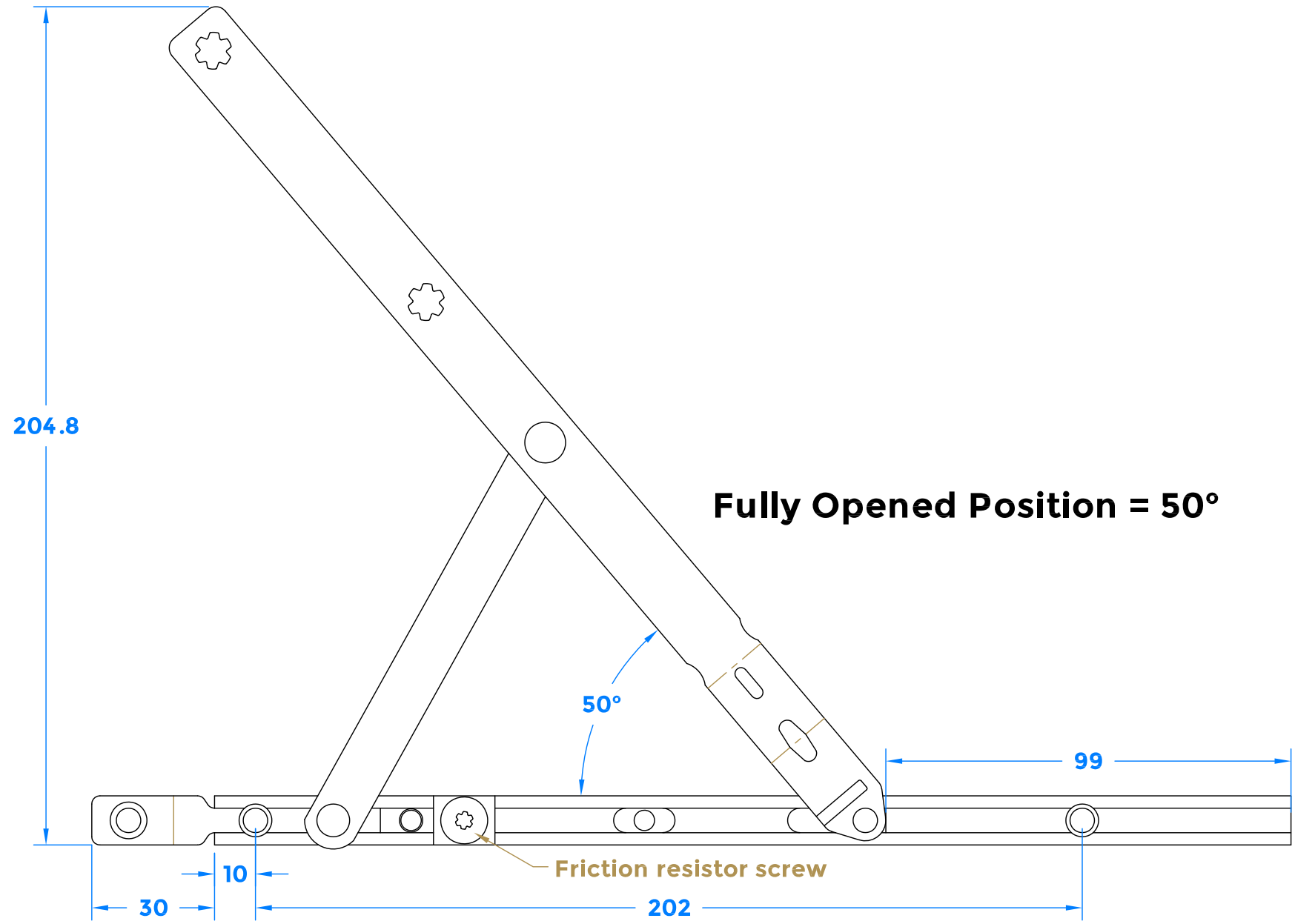
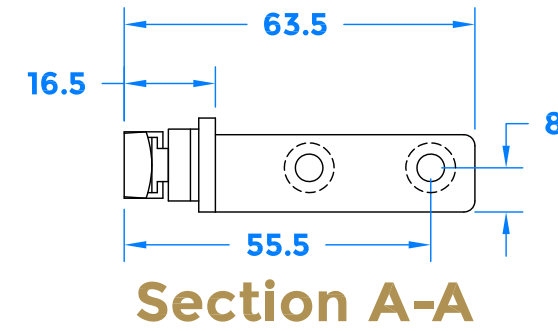
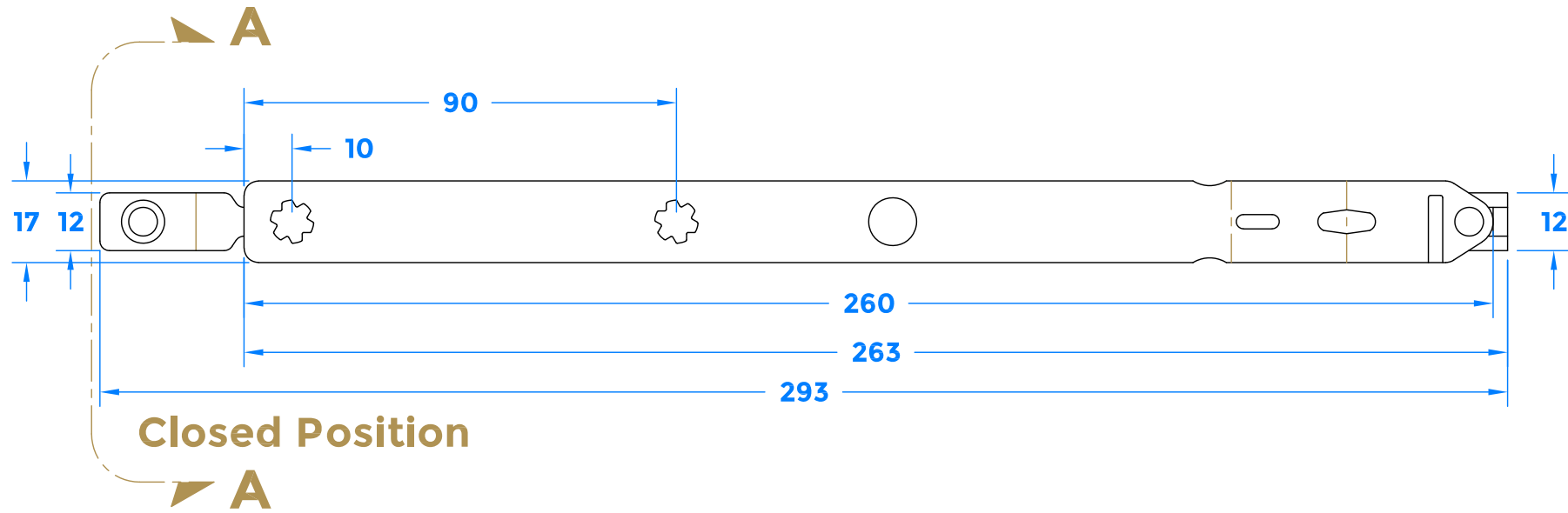


Drawing Revision History		
Revision	Description/Change	Date
A	Release	11/9/2018
B	Design change	27/5/2022



coastal-group.com
Shaping the future.

COASTAL

Part Number / Drawing Title:
FTS263-SV
Tritus Canopy Stays with Friction

Product Range:
Tritus Flush System

Material: Steel / Aluminium

Additional Info: Opening 50 degrees

Date Drawn: 27/05/2022

Drawn By: Philip Walklett

Part Number: FTS263-SV

File Name: FTS263-SV.dwg

Revision: B

Drawing Scale: Not to Scale

Sheet Number: 1 of 1

THIRD ANGLE PROJECTION

This drawing and specification are the property of Coastal Specialist Ironmongery Ltd, they are issued in strict confidence and shall not be reproduced, copied or used without written permission.
EAOE - All dimensions are specified in mm.