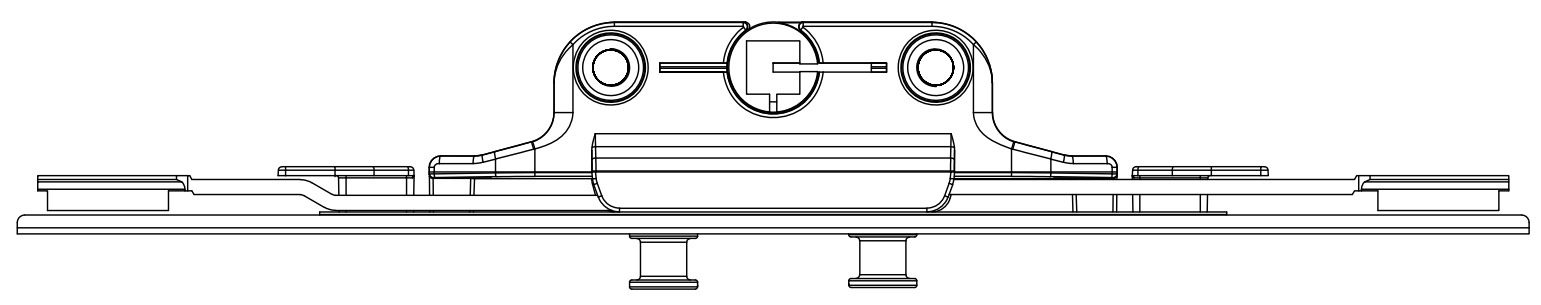
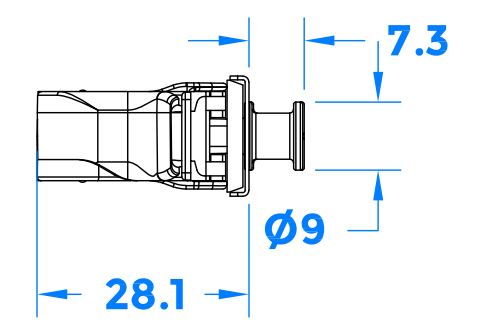
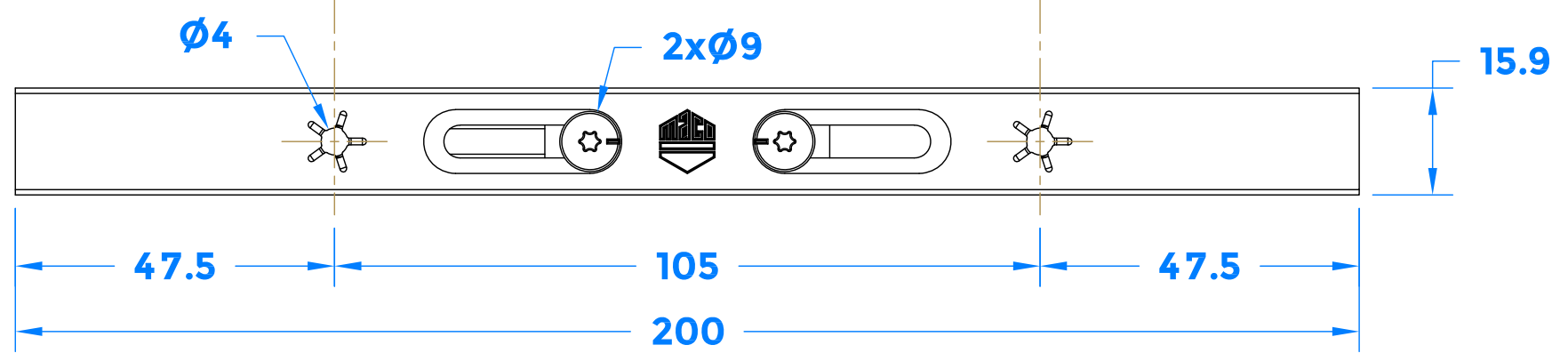
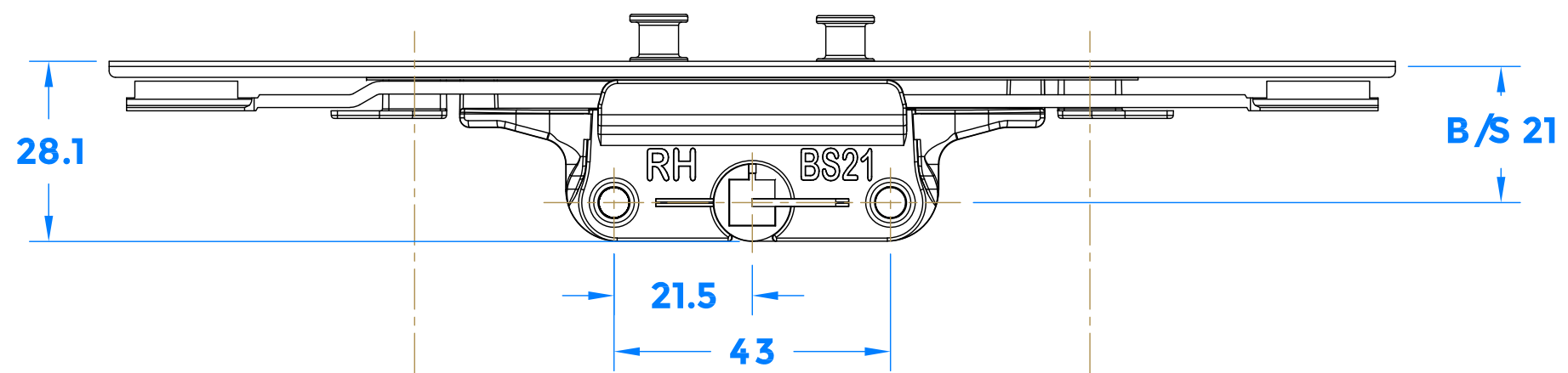


| Drawing Revision History |                    |           |
|--------------------------|--------------------|-----------|
| Revision                 | Description/Change | Date      |
| A                        | Release            | 30/5/2022 |



coastal-group.com  
*Shaping the future.*

**COASTAL**

Part Number / Drawing Title:  
**EBMB21**  
**Centre Lock Box & Cover Plate**

Product Range:  
**Espagnolette Locks & Keeps**

Material: MACO Tricoat Evo

Additional Info: 21mm Backset - (Master Sash)

Date Drawn: 30/05/2022

Drawn By: Philip Walklett

Part Number: EBMB21-TE

File Name: EBMB21.dwg

Revision: A

Drawing Scale: 1:1@ A3

Sheet Number: 1 of 1

THIRD ANGLE PROJECTION

This drawing and specification are the property of Coastal Specialist Ironmongery Ltd, they are issued in strict confidence and shall not be reproduced, copied or used without written permission.  
EAOE - All dimensions are specified in mm.