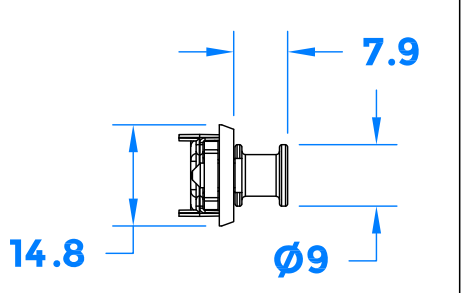
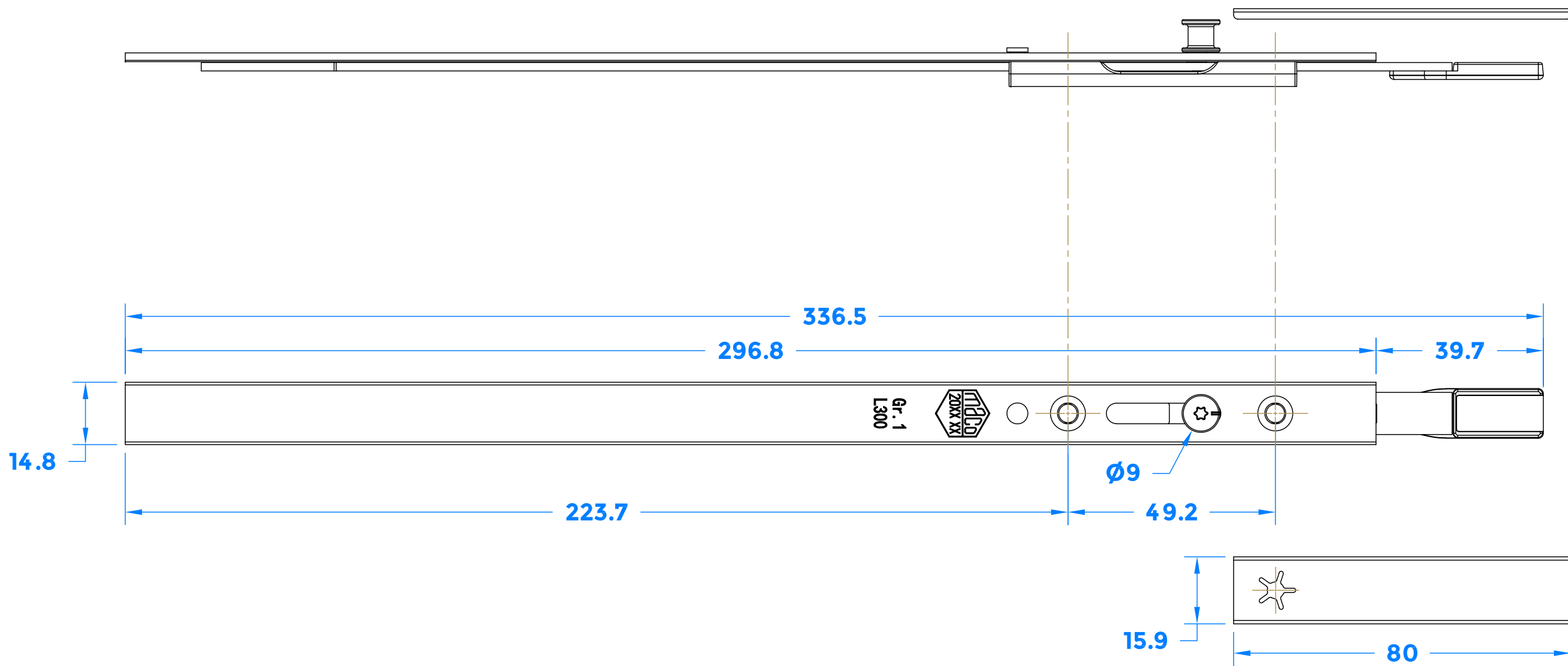


Drawing Revision History		
Revision	Description/Change	Date
A	Release	30/5/2022



coastal-group.com
Shaping the future.

COASTAL

Part Number / Drawing Title:
**EBM300 - 300mm Extension
with 1x9mm mushroom CAM**

Product Range:
Espagnolette Locks & Keeps

Material: MACO Tricoat Evo

Additional Info:

Date Drawn: 30/05/2022

Drawn By: Philip Walklett

Part Number: EBM300-TE

File Name: EBM300.dwg

Revision: A

Drawing Scale: Not to Scale

Sheet Number: 1 of 1

THIRD ANGLE PROJECTION

This drawing and specification are the property of Coastal Specialist Ironmongery Ltd, they are issued in strict confidence and shall not be reproduced, copied or used without written permission.
EAOE - All dimensions are specified in mm.