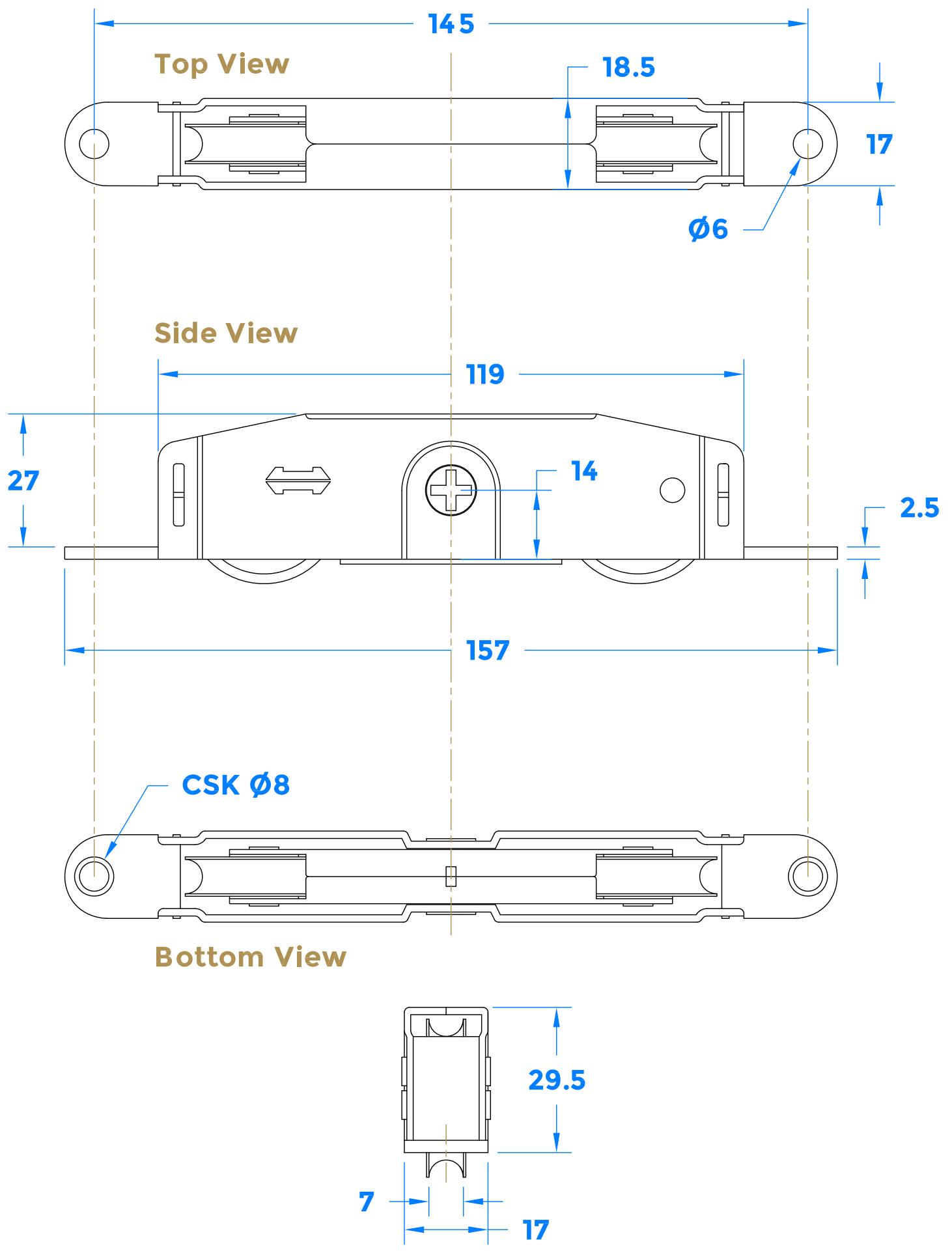
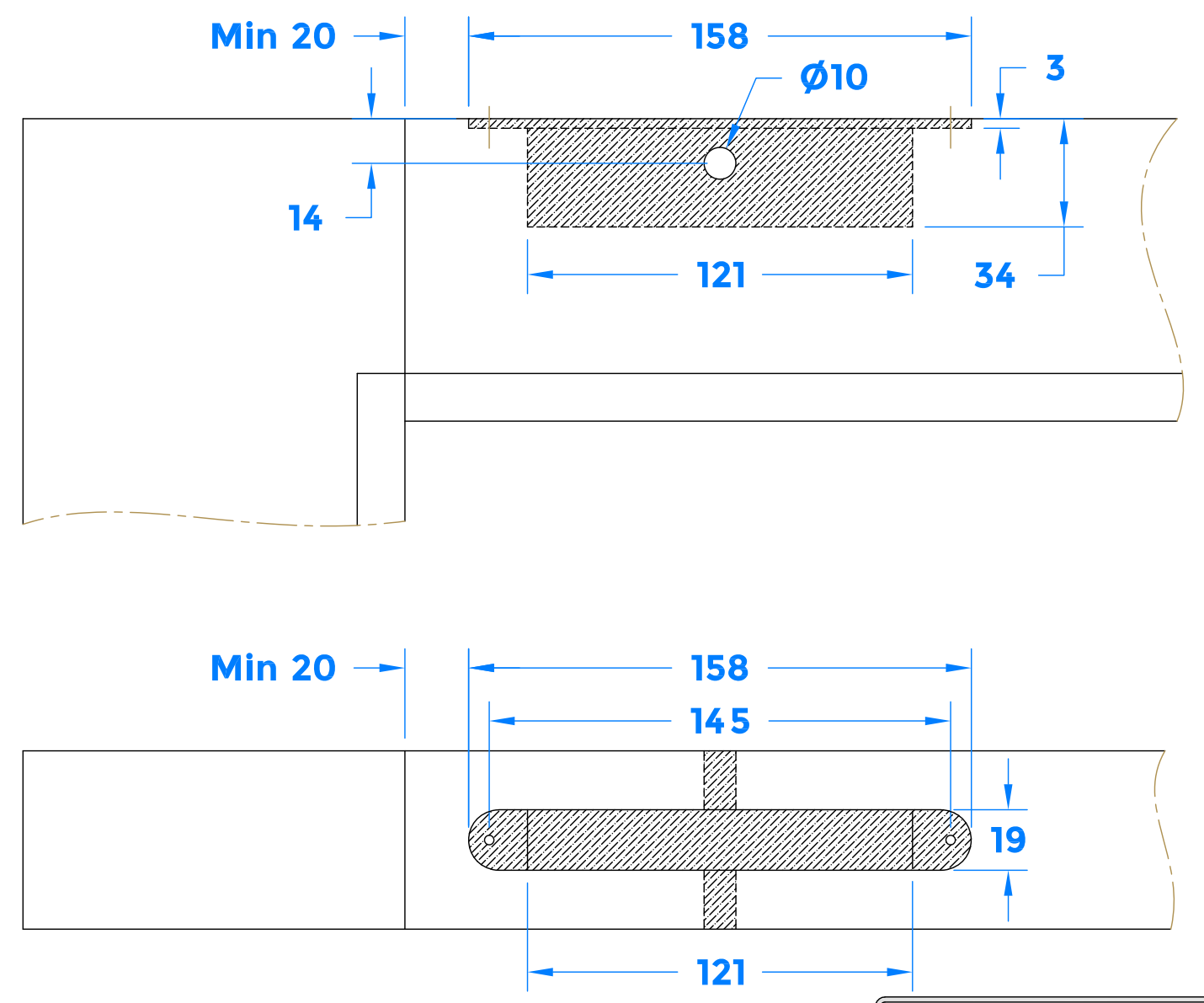


Drawing Revision History		
Revision	Description/Change	Date
A	Release	6/6/2022



Routing Prep (Not to Scale)



COASTAL
 coastal-group.com
Shaping the future.

Part Number / Drawing Title:
Imperial 200KG Bottom Roller

Product Range:
Sliding Door Systems

Material: **Stainless Steel**

Additional Info:
 Date Drawn: 06/06/2022
 Drawn By: Philip Walklett

Part Number: **IMP200-BR**
 File Name: **IMP200-BR.dwg**

Revision: **A**
 Drawing Scale: **1:1@A3**
 Sheet Number: **1 of 1**

THIRD ANGLE PROJECTION

This drawing and specification are the property of Coastal Specialist Ironmongery Ltd, they are issued in strict confidence and shall not be reproduced, copied or used without written permission.
 EAOE - All dimensions are specified in mm.