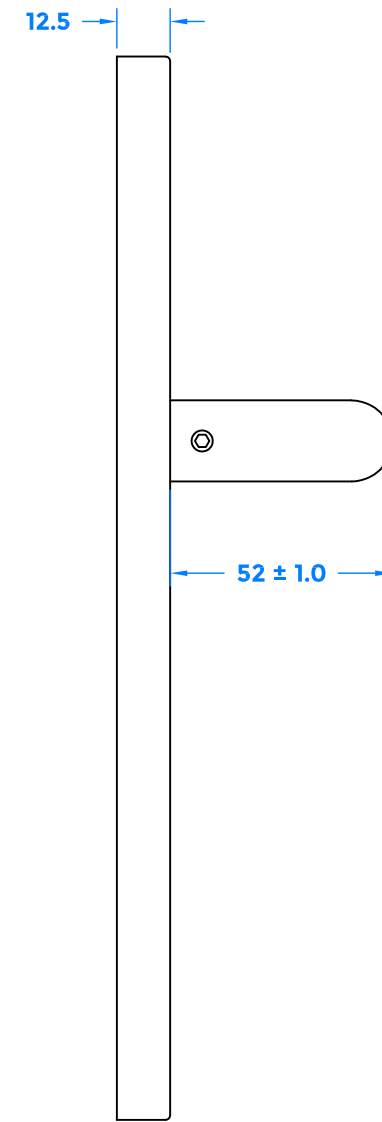
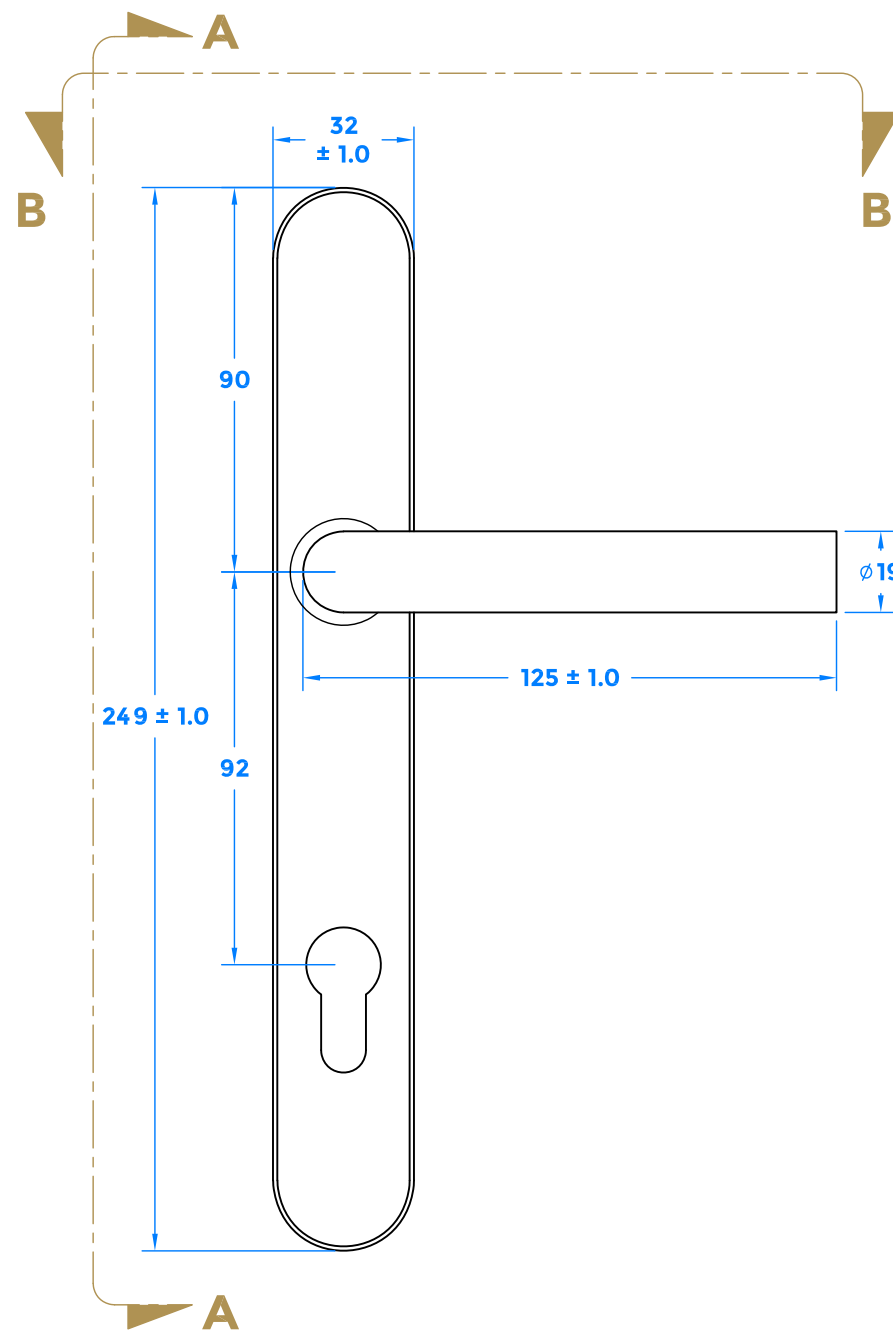
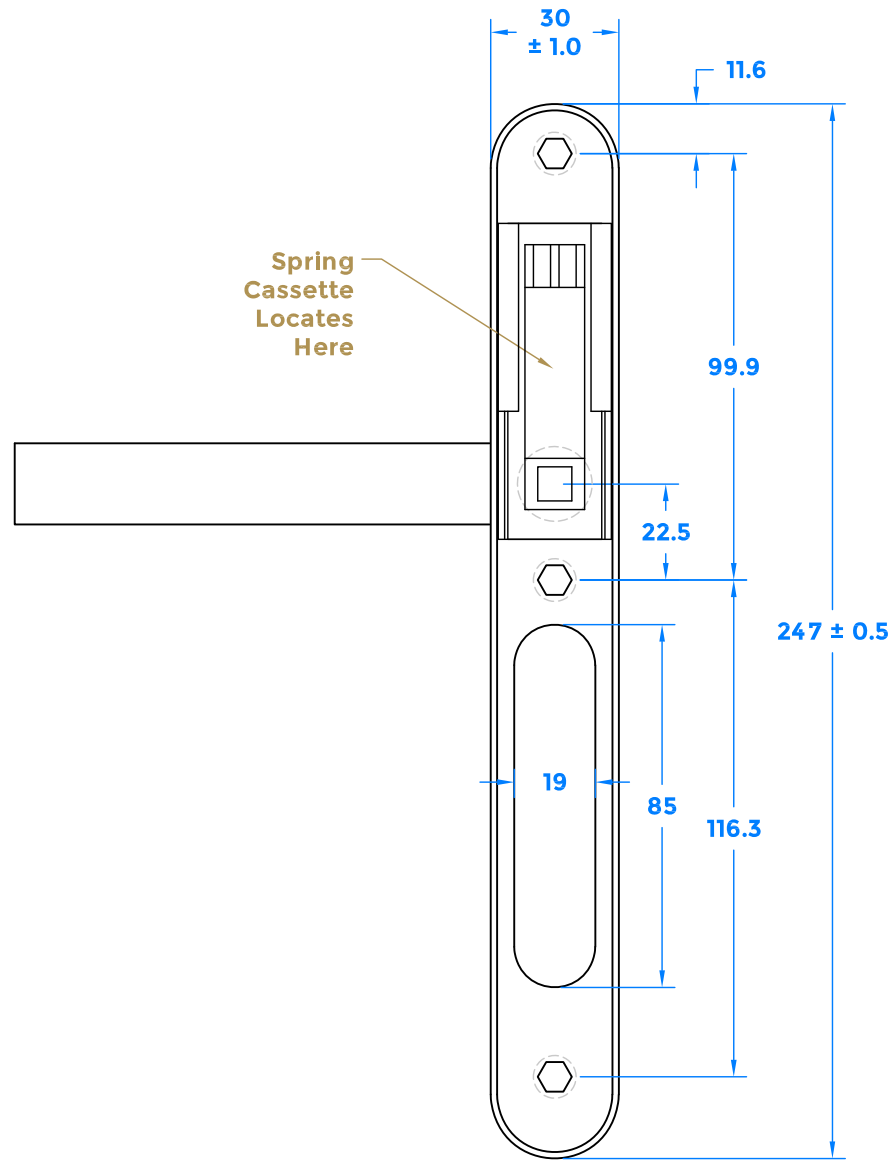
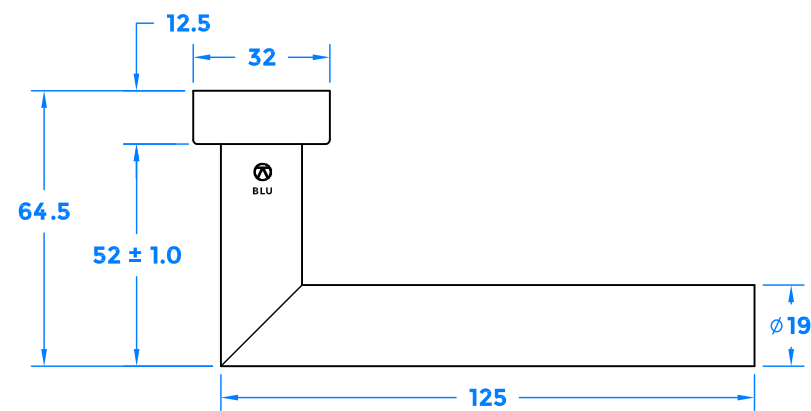


Rear View without Clip on Face Plate Fitted.

Front View with Clip on Face Plate Fitted.



Section A-A

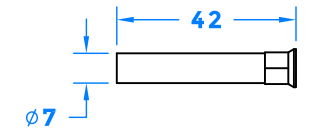


Section B-B

Drawing Revision History		
Revision	Description / Change	Date
A	Release	11/11/2021
B	Changed spindle from 115mm to 110mm	9/11/2022
C	Sleeve diameter changed to 7mm	1/6/2023



8x8x110 & 125 Spindle



Bolt Receiver Sleeve



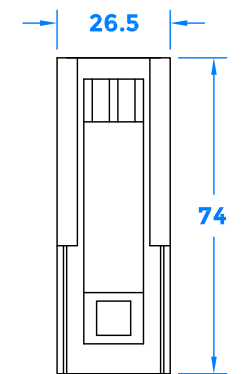
M5 x 40mm Bolts
Suits Doors up to 60mm Thick



M5 x 60mm Bolts
Suits Doors up to 80mm Thick



3mm Allen Key



Spring Cassette

coastal-group.com
Shaping the future.

COASTAL

Part Number / Drawing Title:
**KM078C
Mitre Lever Door Handle**

Product Range:
Door Handles

Material: 316 Stainless Steel

Additional Info: Dual Sprung Lever Action

Date Drawn: 01/06/2023

Drawn By: Phillip Walklett

Part Number: KM078C

File Name: KM078C.dwg

Revision: C

Drawing Scale: Not to Scale

Sheet Number: 1 of 1

THIRD ANGLE PROJECTION This drawing and specification are the property of Coastal Specialist Ironmongery Ltd, they are issued in strict confidence and shall not be reproduced, copied or used without written permission.
EAOE - All dimensions are specified in mm.