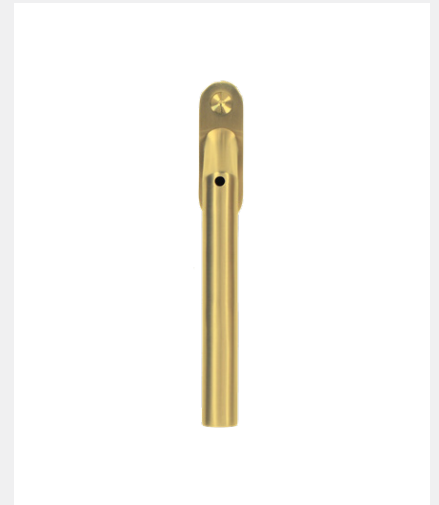


BLU RANGE INLINE ANGLED WINDOW HANDLE

Product Code: SST100

LIT-DC-SST100



316 Marine Grade Stainless Steel Hardware Range

- Slimline, contemporary design window espagnolette handle
- Inline profile makes it ideal for slimline casement windows
- Sprung action to keep the lever in place
- Non handed
- Lockable for added security
- Manufactured from 316 marine grade stainless steel
- Ideal for use where corrosion levels are high such as coastal environments and with acidic timber
- Durability: BS EN 1191:2012, 10,000 Cycles
- Part of a suited range
- Lifetime guarantee

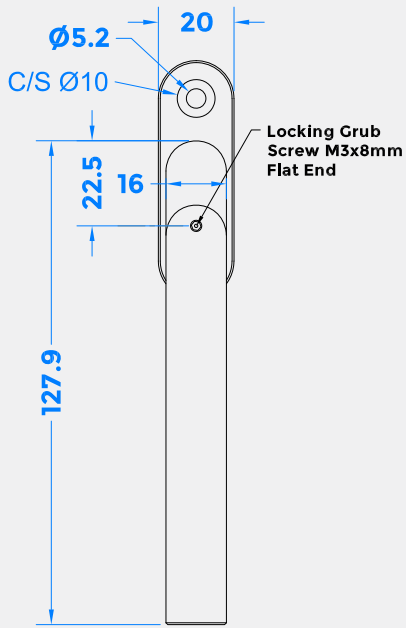
T 01726 871 025 E sales@coastal-group.com W coastal-group.com
© Coastal Specialist Ironmongery Ltd 2021



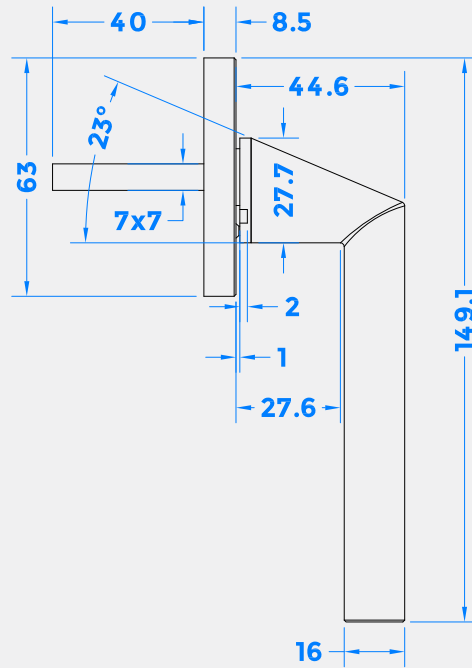
COASTAL

Shaping the future.

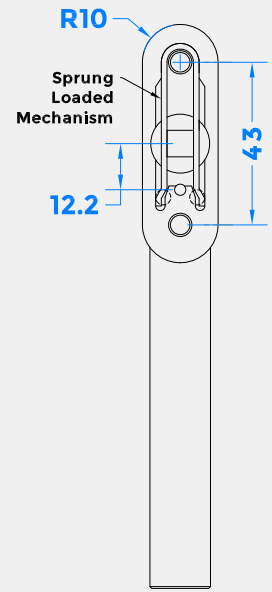
Front Profile



Side Profile



Back Profile



Visit www.coastal-group.com for CAD drawings

FINISHES:



SSS
Satin Stainless Steel



PSB
PVD Satin BRass



PBK
PVD Satin Black

PART NUMBER	PRODUCT DESCRIPTION	FINISH	UNITS
SST100-SSS	Inline angled lockable window espagnolette handle	SSS	Each
SST100-PSB	Inline angled lockable window espagnolette handle	PSB	Each
SST100-PBK	Inline angled lockable window espagnolette handle	PBK	Each



COASTAL

Shaping the future.