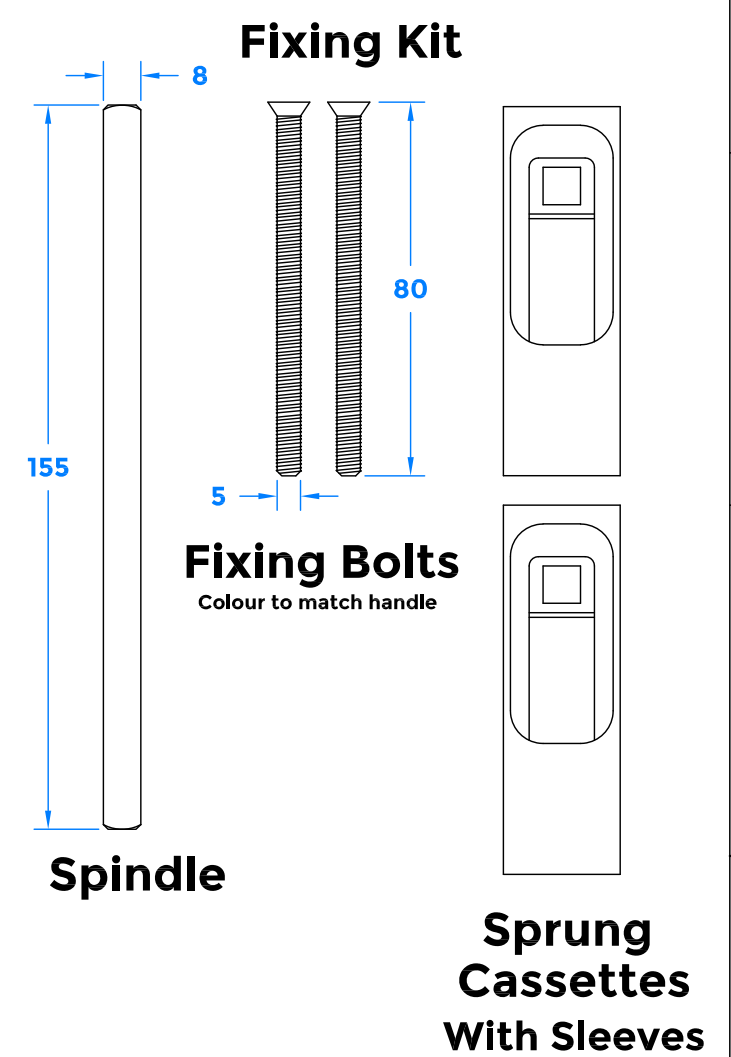
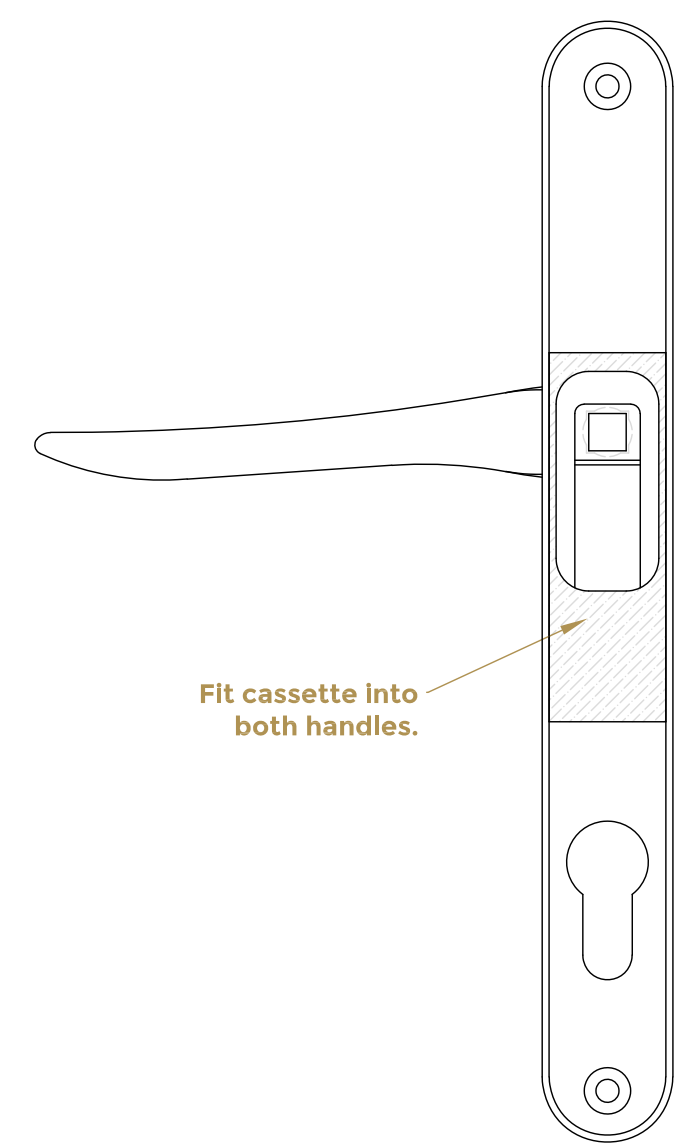
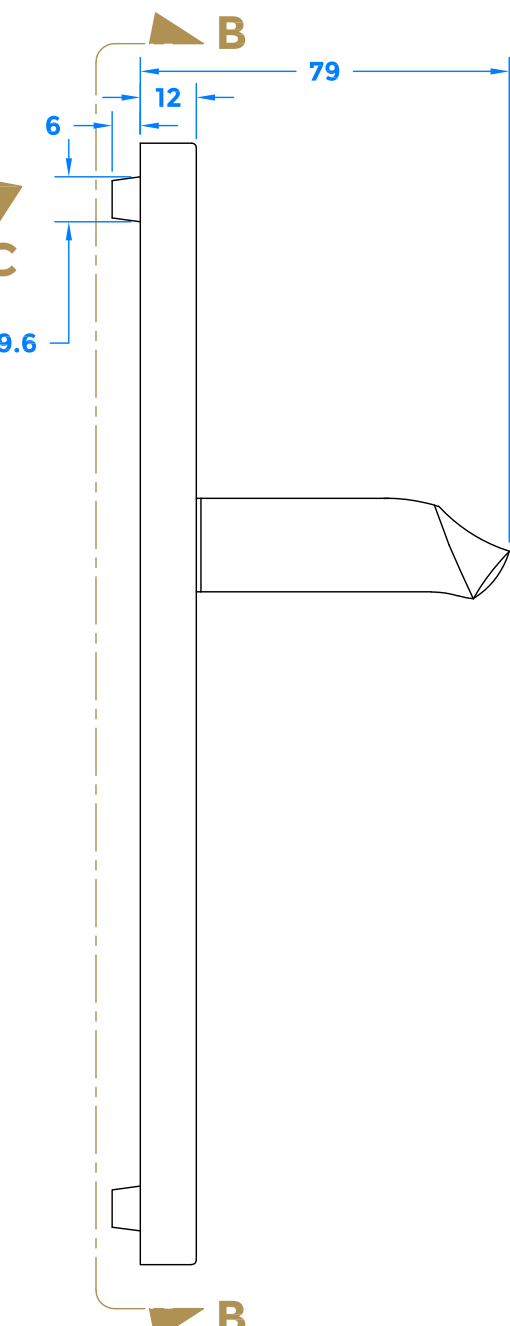
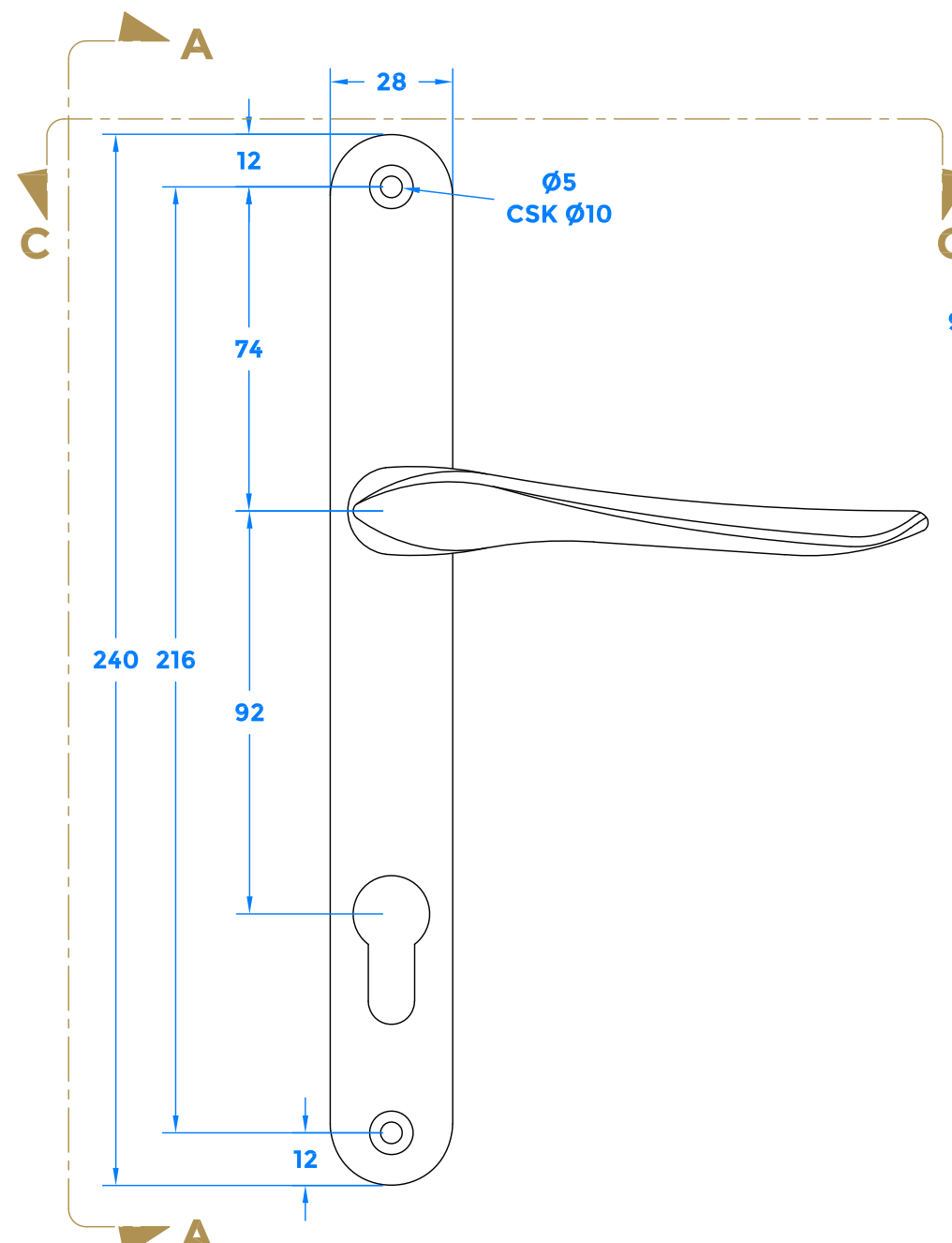
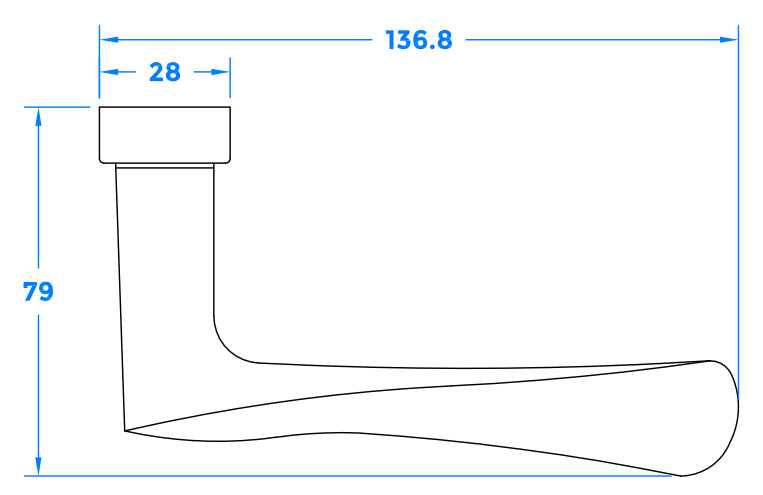


Drawing Revision History		
Revision	Description/ Change	Date
A	Release	24/3/2016
B	Added fixing kit / amend dims	25/9/2017
C	Alterations to the lever position	3/7/2020
D	Update drawing	22/6/2022

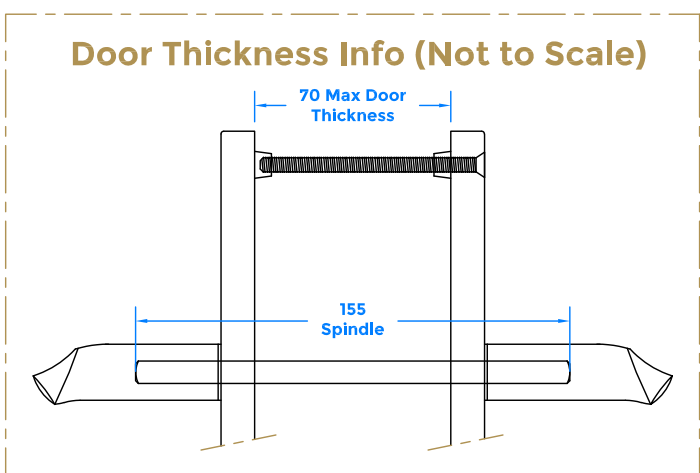


**Section A-A  
Side View**

**Section B-B  
Rear View**



**Section C-C**



**Note: This drawings is for the Satin Stainless Steel Version.**

coastal-group.com  
*Shaping the future.*

**COASTAL**

Part Number / Drawing Title:  
**MHP60 - Kuhlen  
92mm Multipoint Door Handle**

Product Range:  
**Door Handles**

Material: N/A

Additional Info: **Includes fixing packs.**

Date Drawn: 22/06/2022

Drawn By: Philip Walklett

Part Number: MHP60-SS

File Name: MHP60-SS.dwg

Revision: D

Drawing Scale: Not to Scale

Sheet Number: 1 of 1

THIRD ANGLE PROJECTION

This drawing and specification are the property of Coastal Specialist Ironmongery Ltd, they are issued in strict confidence and shall not be reproduced, copied or used without written permission.  
E80E - All dimensions are specified in mm.