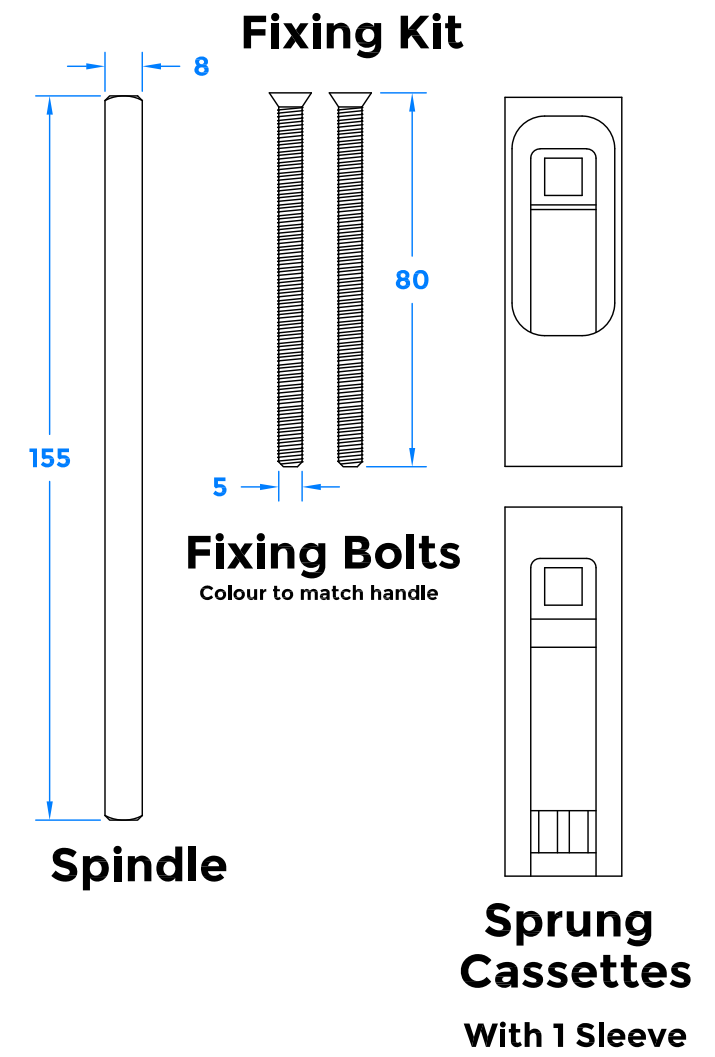
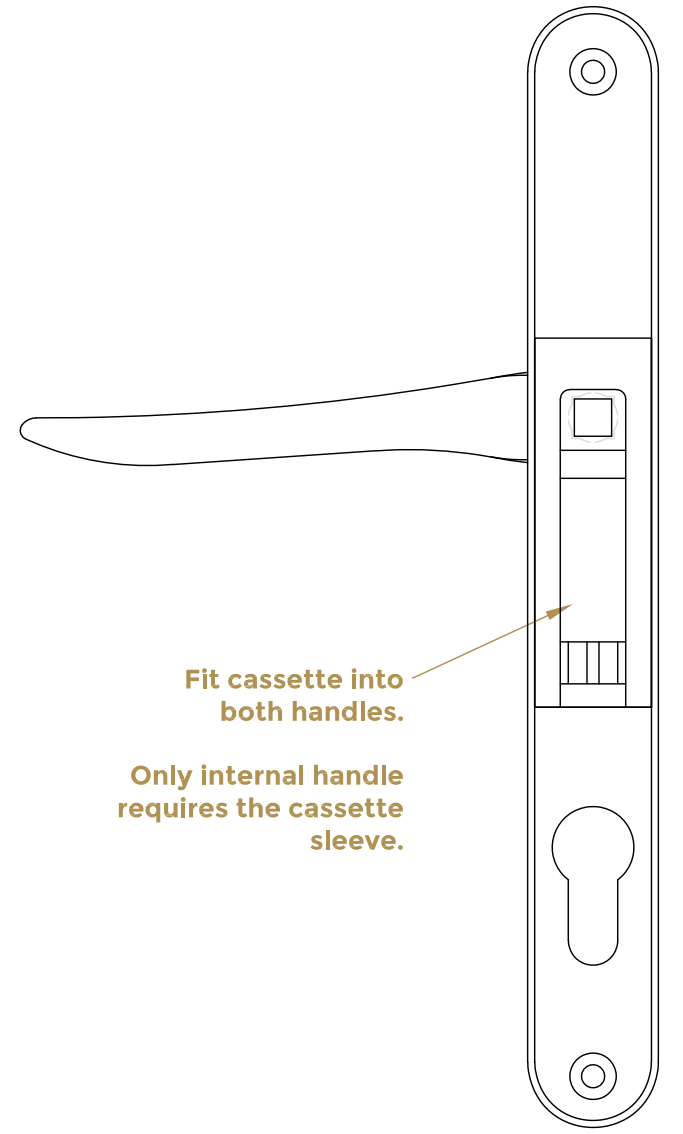
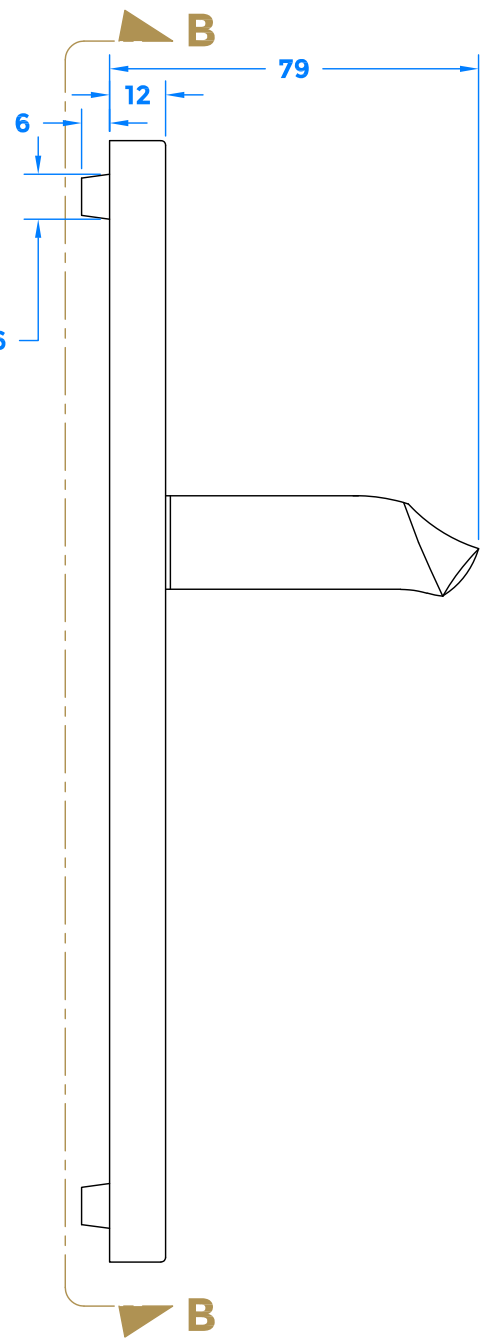
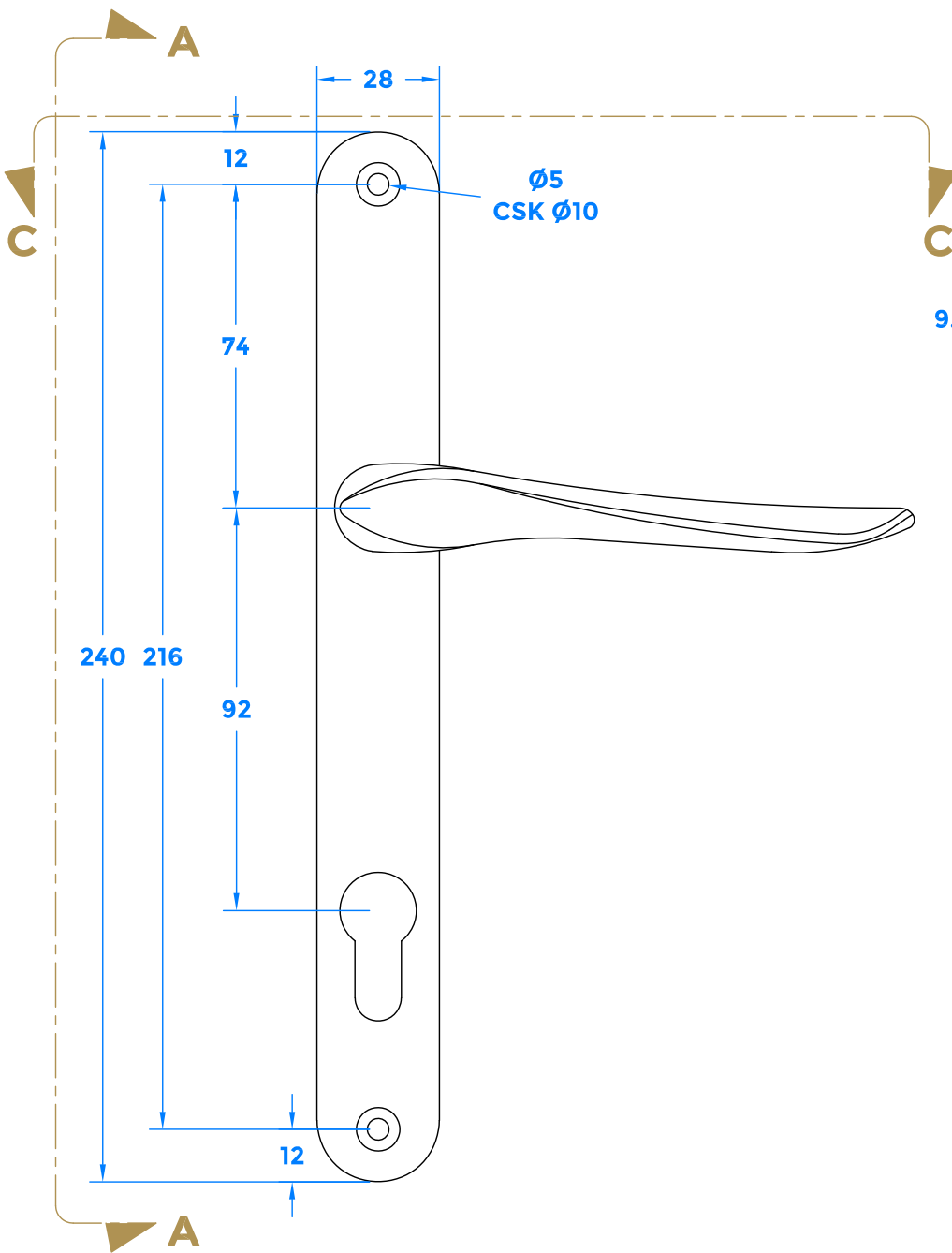
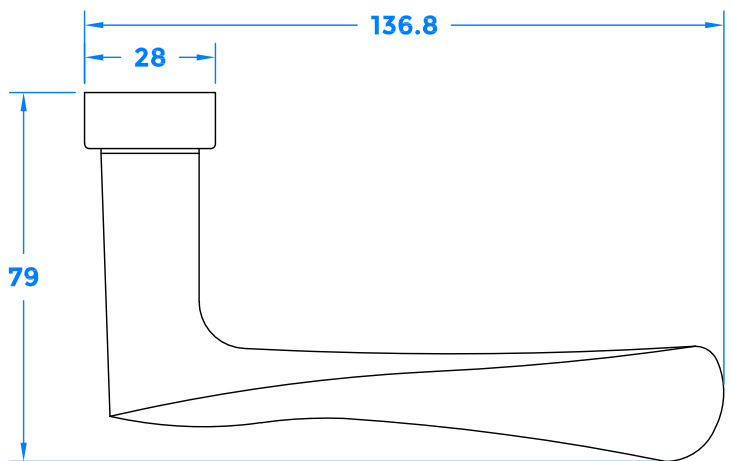


Drawing Revision History		
Revision	Description/ Change	Date
A	Release	24/3/2016
B	Added fixing kit / amend dims	25/9/2017
C	Alterations to the lever position	3/7/2020
D	Update drawing	22/6/2022

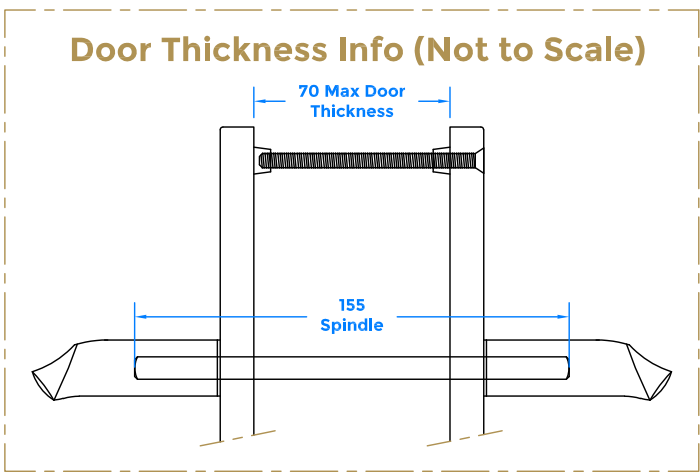


**Section A-A
Side View**

**Section B-B
Rear View**



Section C-C



Note: This kit is for the polished brass, chrome & black versions

coastal-group.com
Shaping the future.

COASTAL

Part Number / Drawing Title:
**MHP60 - Kuhlen
92mm Multipoint Door Handle**

Product Range:
Door Handles

Material: N/A

Additional Info: Includes fixing packs.

Date Drawn: 22/06/2022

Drawn By: Philip Walklett

Part Number: MHP60

File Name: MHP60.dwg

Revision: D

Drawing Scale: Not to Scale

Sheet Number: 1 of 1

THIRD ANGLE PROJECTION

This drawing and specification are the property of Coastal Specialist Ironmongery Ltd, they are issued in strict confidence and shall not be reproduced, copied or used without written permission.
E&OE - All dimensions are specified in mm.