

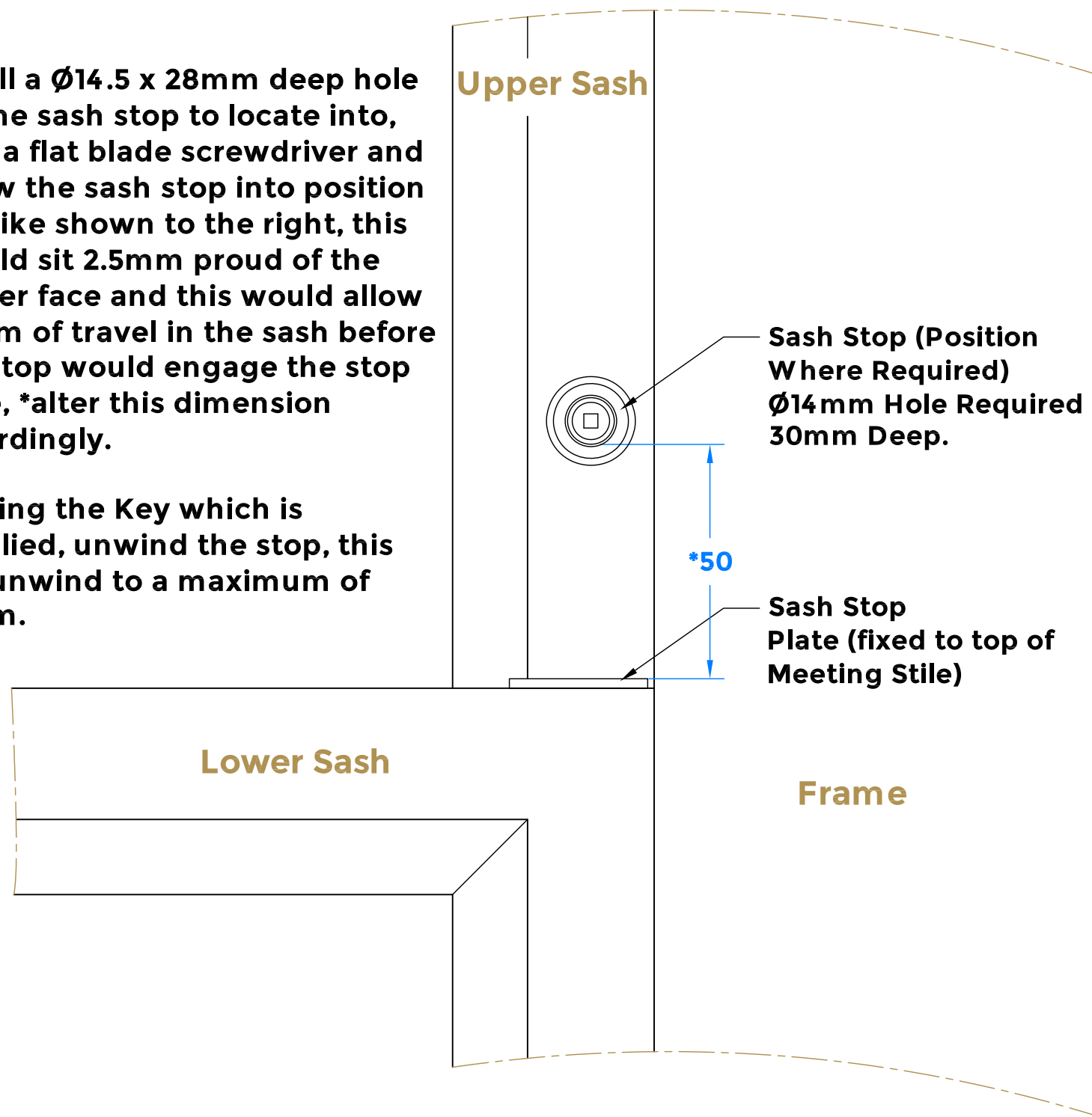
Drawing Revision History		
Revision	Description/Change	Date
A	Release	31/8/2022

Installation Instructions

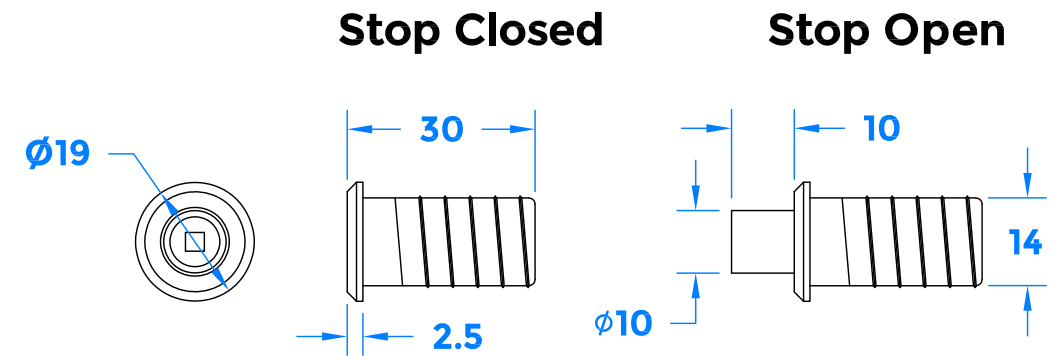
Important information, if the centre of the stop is located any lower than 10mm from the top of the sash plate the key will hit the sash stop plate making it difficult to unwind the sash stop!

1. Drill a $\varnothing 14.5$ x 28mm deep hole for the sash stop to locate into, take a flat blade screwdriver and screw the sash stop into position this like shown to the right, this should sit 2.5mm proud of the timber face and this would allow 50mm of travel in the sash before the stop would engage the stop plate, *alter this dimension accordingly.

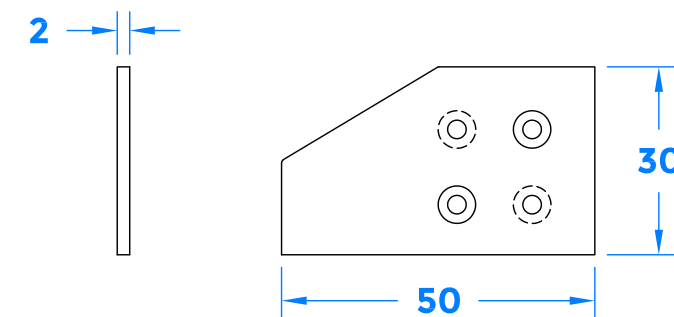
2. Using the Key which is supplied, unwind the stop, this will unwind to a maximum of 10mm.



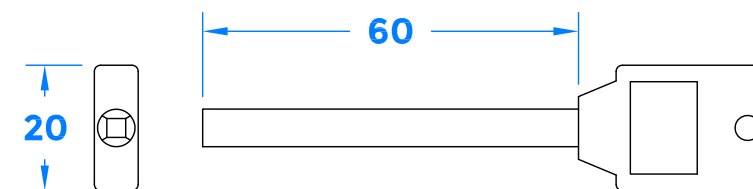
Sash Stop



Sash Stop Plate



Sash Stop Key



Sliding Sash Section Viewed Internally

 **COASTAL** coastal-group.com
Shaping the future.

Part Number / Drawing Title:
SW S30
Circular Sash Stop

Product Range:
Sliding Sash Gear

Material:

Additional Info: **Glaze**

Date Drawn: 31/08/2022

Drawn By: Phillip Walklett

Part Number: SW S30

File Name: SW S30.dwg

Revision: A

Drawing Scale: Not to Scale

Sheet Number: 1 of 1

THIRD ANGLE PROJECTION

This drawing and specification are the property of Coastal Specialist Ironmongery Ltd, they are issued in strict confidence and shall not be reproduced, copied or used without written permission.
EAOE - All dimensions are specified in mm.