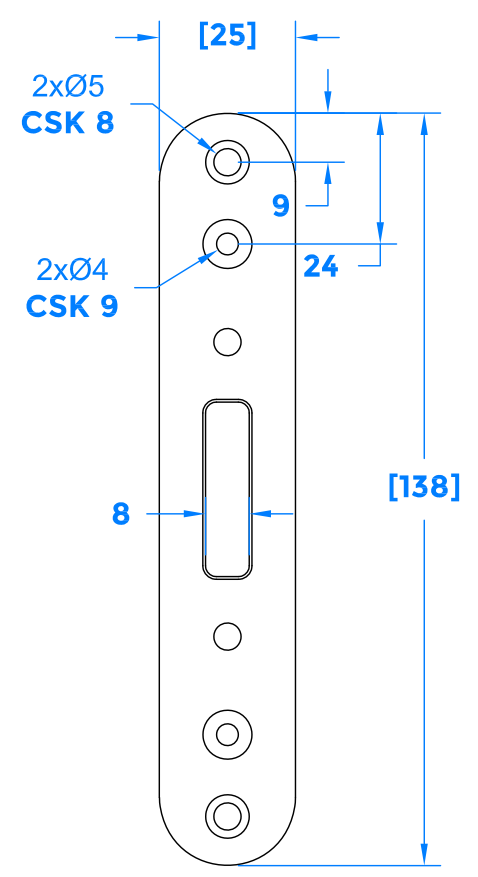
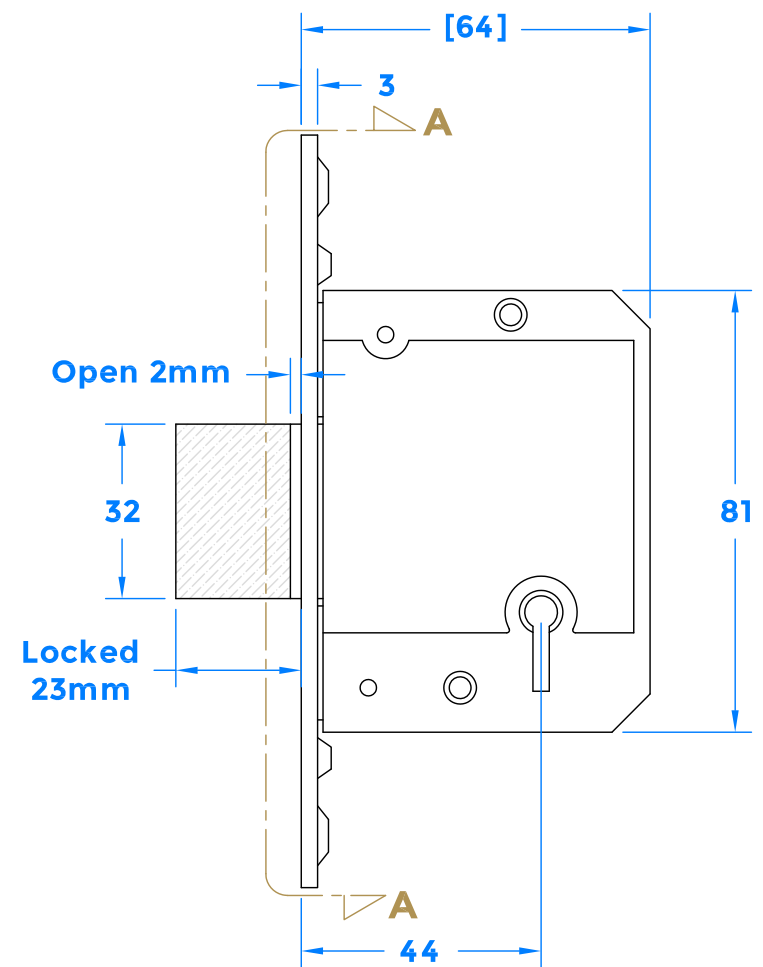
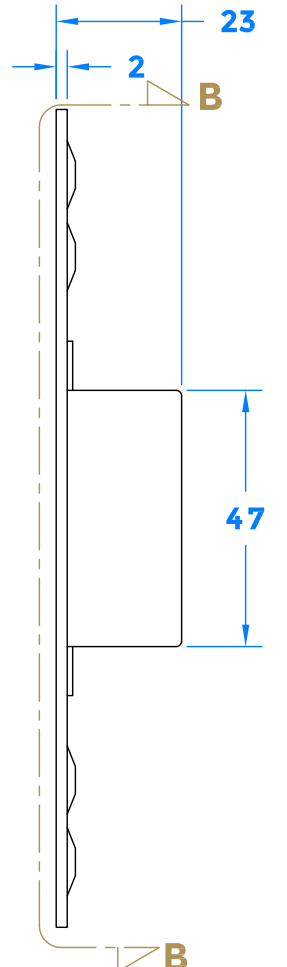


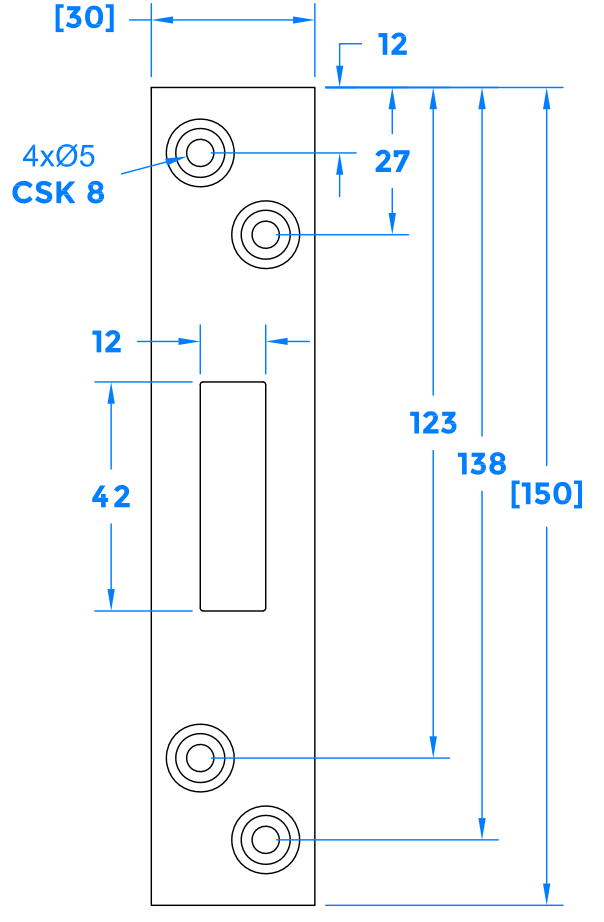
Drawing Revision History		
Revision	Description/Change	Date
A	Release	5/9/2022



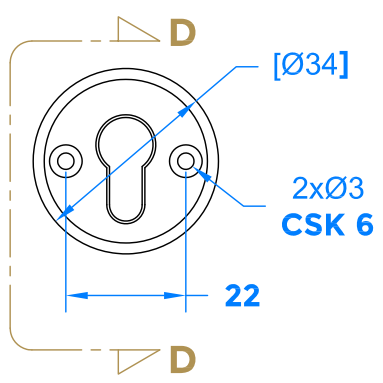
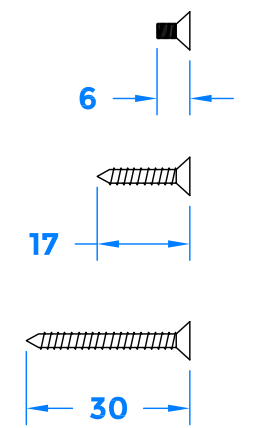
SECTION A-A



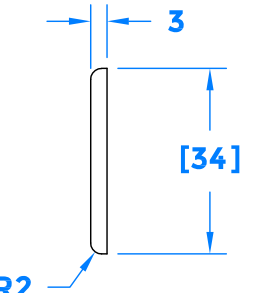
SECTION B-B



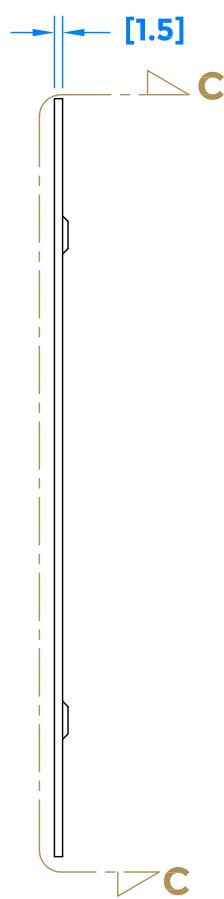
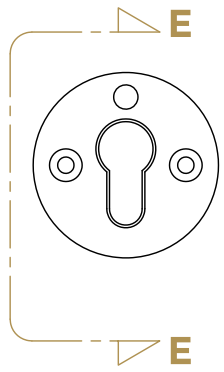
SECTION C-C



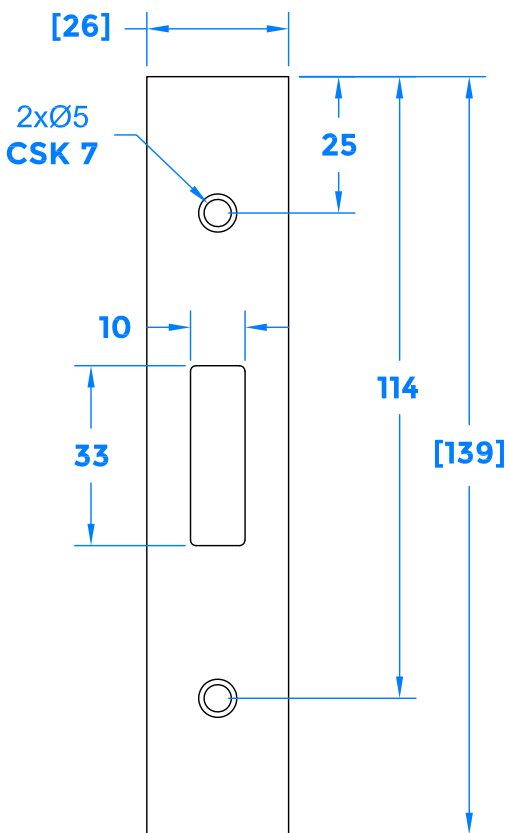
SECTION D-D



SECTION E-E



SECTION G-G



coastal-group.com
Shaping the future.

COASTAL

Part Number / Drawing Title:
**LDB5525 - 5 Lever Deadlock
44mm Backset / 64mm Depth**

Product Range:
Door Locks

Material: N/A

Additional Info: Conforms to BS3621

Date Drawn: 05/09/2022

Drawn By: Philip Walklett

Part Number: LDB5525

File Name: LDB5525.dwg

Revision: A

Drawing Scale: Not to Scale

Sheet Number: 1 of 1

THIRD ANGLE PROJECTION

This drawing and specification are the property of Coastal Specialist Ironmongery Ltd, they are issued in strict confidence and shall not be reproduced, copied or used without written permission.
EAOE - All dimensions are specified in mm.