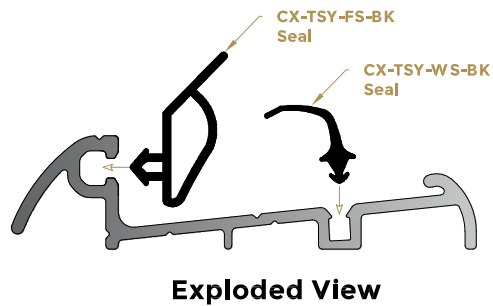
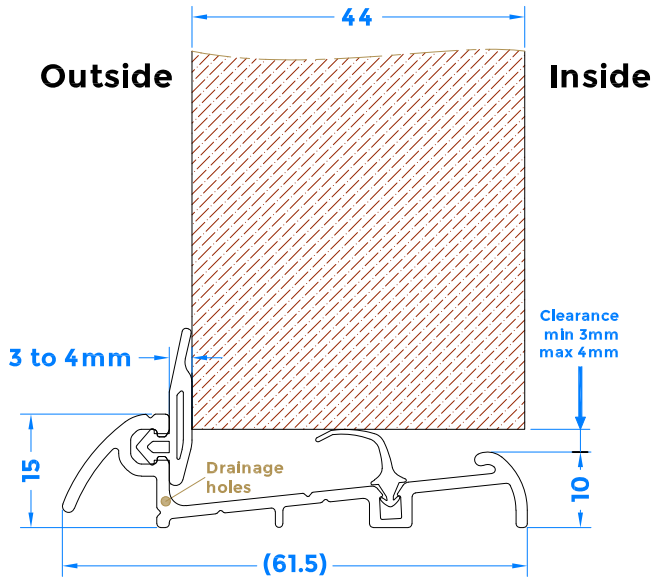
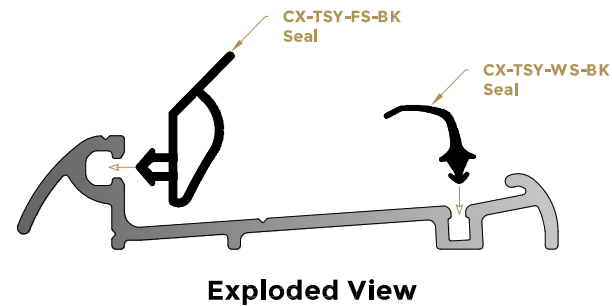
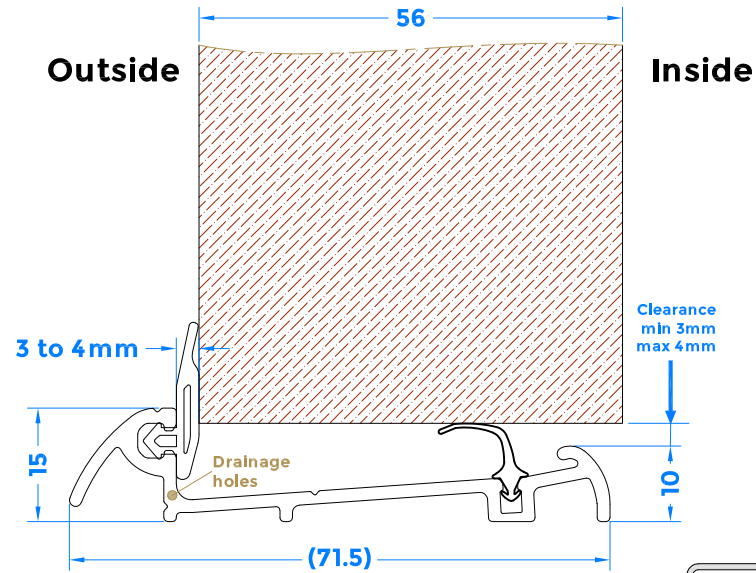



Drawing Revision History		
Revision	Description / Change	Date
A	Release	6/9/2022

44mm Door Thickness Version



56mm Door Thickness Version





coastal-group.com
Shaping the future.

COASTAL

Part Number / Drawing Title:
TSY Inward Opening Mobility Threshold

Product Range:
Door Thresholds

Material: **Aluminium**

Additional Info: **Part M Compliant**

Date Drawn: **06/09/2022**

Drawn By: **Phillip Walklett**

Part Number: **Various TSY Part #**

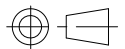
File Name: **TSY.dwg**

Revision: **A**

Drawing Scale: **1:1@A4**

Sheet Number: **1 of 1**

THIRD ANGLE PROJECTION



This drawing and specification are the property of Coastal Specialist Ironmongery Ltd, they are issued in strict confidence and shall not be reproduced, copied or used without written permission.
E&OE - All dimensions are specified in mm.