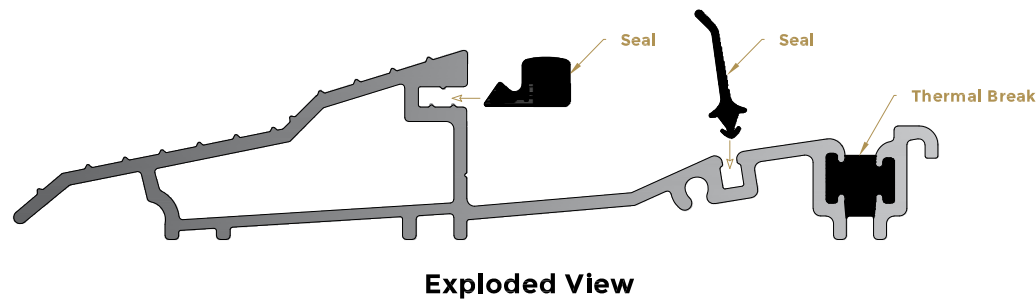
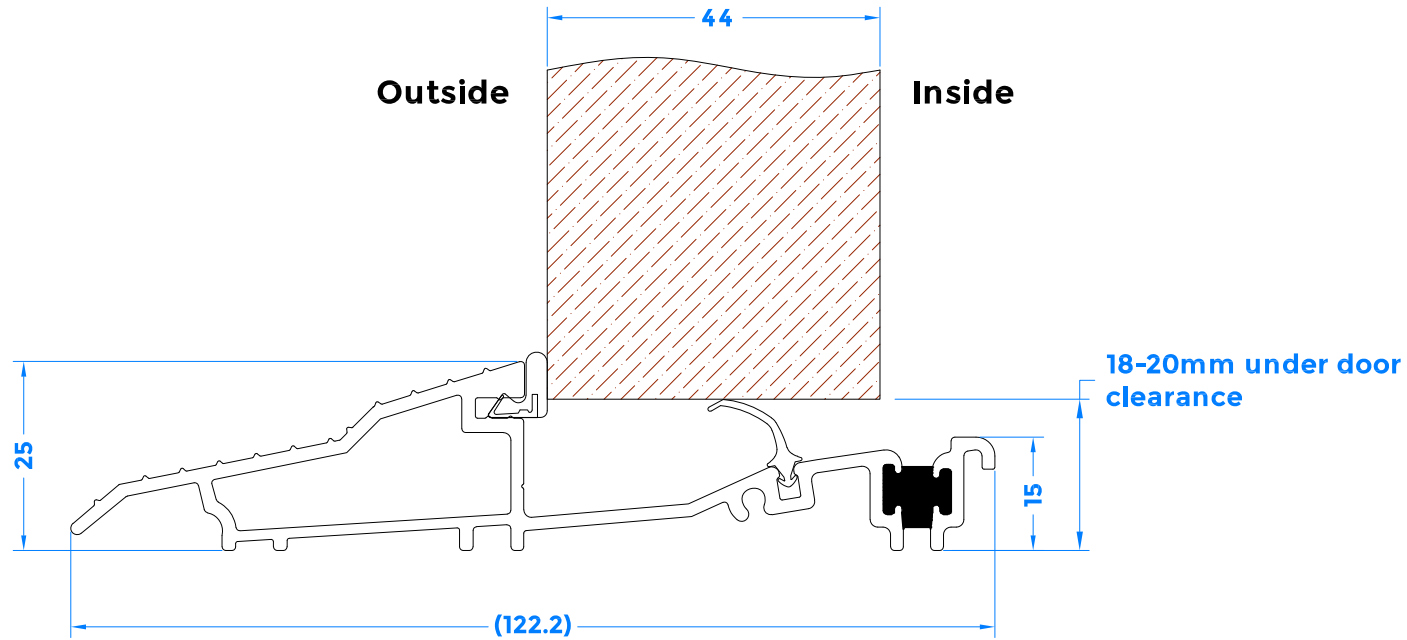


Drawing Revision History		
Revision	Description / Change	Date
A	Release	6/9/2022





coastal-group.com
Shaping the future.

COASTAL

Part Number / Drawing Title:
AM3EX Inward Opening Thermal Break Threshold

Product Range:
Door Thresholds

Material: Aluminium

Additional Info: Part M Compliant

Date Drawn: 06/09/2022

Drawn By: Phillip Walklett

Part Number: AM3EX-S

File Name: AM3EX-S.dwg

Revision: A

Drawing Scale: 1:1@ A4

Sheet Number: 1 of 1

THIRD ANGLE PROJECTION

This drawing and specification are the property of Coastal Specialist Ironmongery Ltd, they are issued in strict confidence and shall not be reproduced, copied or used without written permission.
E&OE - All dimensions are specified in mm.