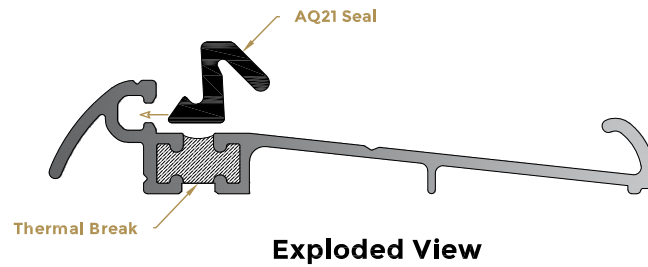
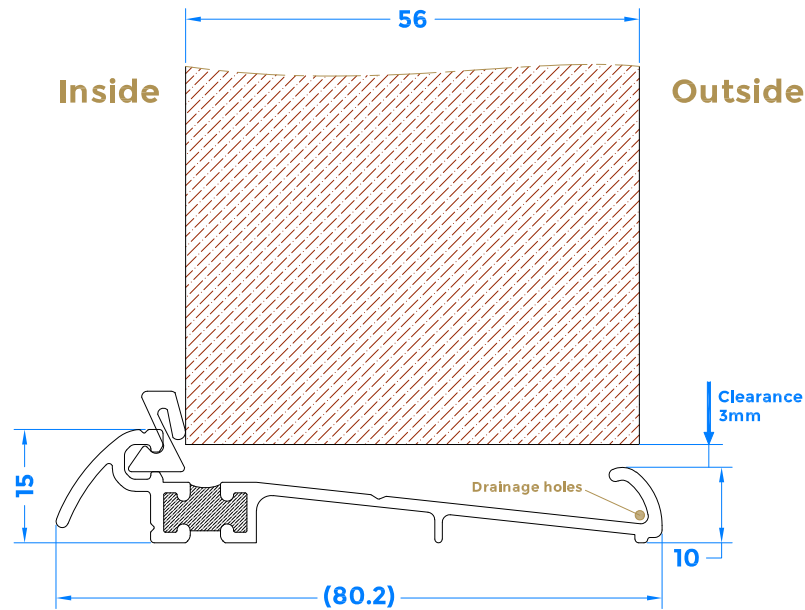


Drawing Revision History		
Revision	Description / Change	Date
A	Release	7/9/2022



 <b>COASTAL</b>		coastal-group.com <i>Shaping the future.</i>
<b>Part Number / Drawing Title:</b> <b>TSX Outward Opening Thermal Break Threshold</b>		
<b>Product Range:</b> <b>Door Thresholds</b>		
<b>Material:</b>	Aluminium	
<b>Additional Info:</b>	Part M Compliant	
<b>Date Drawn:</b>	07/09/2022	
<b>Drawn By:</b>	Phillip Walklett	
<b>Part Number:</b>	TSX3-56	
<b>File Name:</b>	TSX3.dwg	
<b>Revision:</b>	A	
<b>Drawing Scale:</b>	1:1@ A4	
<b>Sheet Number:</b>	1 of 1	
<b>THIRD ANGLE PROJECTION</b> 	This drawing and specification are the property of Coastal Specialist Ironmongery Ltd, they are issued in strict confidence and shall not be reproduced, copied or used without written permission. E&OE - All dimensions are specified in mm.	